

Carina island bath or inset bath

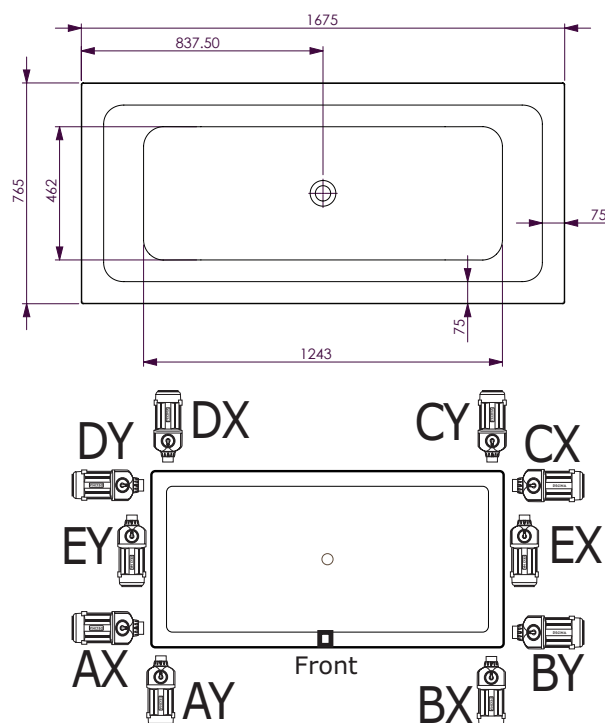
The Carina's planes have been angled to maximize bathing space. Its form is that of an island bath to be set away from adjoining walls. This allows the viewer to truly appreciate its simple elegance.

1675 x 765 x 440mm - 205 litres

size	1675
total jets	14
c-lenda™ flush centro jets	6
c-lenda™ flush lumbar mini jets	8
c-lenda™ flush rim air controls	2
sensa-touch pad heat boost pump	1
fiore headrest (black or white)	2
litres (200mm from rim)	166

Optional Extra

Overflow / Base Support Frame / Centre Ezi-Frame



Baths, All baths shown in this catalogue, except Freestanding Baths, Shower Baths and Spa Bath shells.



Freestanding Baths & all other baths manufactured by Decina, Shower Baths, Shower Bases, Spa Bath shells and pipework.



Spa Bath pumps, jets and fittings.



Overflows, headrests, shower walls and screens.

QLD

NSW

VIC

WA

SA

TAS

NTH QLD

TEL (07) 3271 1944 (02) 9621 5088 (03) 9768 3768 (08) 9242 4766 (08) 8326 7638 (03) 6245 9008 (07) 4771 3400

FAX (07) 3879 4244 (02) 8814 9898 (03) 9768 3769 (08) 9242 4733 (08) 8186 0699 (03) 6245 9002 (07) 4771 4955

Decina Bathroomware Pty Ltd

ABN 39 845 084 033

www.decina.com.au

100%
australian
made & owned

Lucite Sanitary Grade Acrylic
Steel Rim Reinforcement

DECINA
BATHROOMWARE
relaxing your senses