

EZI Frame

On-site Bath Installation Frame

Product Code: **EZF001** (small, end waste), **EZF002** (large, end waste),
EZF003 (small, centre waste), **EZF004** (large, centre waste),

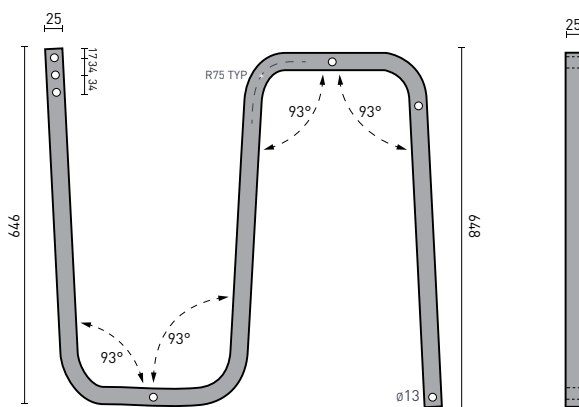
The EZI Frame is an optional structural, bath support frame suitable for select Decina rectangle & oval baths & spa baths between 1500-1800mm in length, with a baseboard. This steel frame is adhered to the base of the bath on-site, by the installer or builder. At least 48 hours drying time is required for the adhesive before the bath can be installed & the adjustable, self-leveling feet screwed down to touch the sub floor.



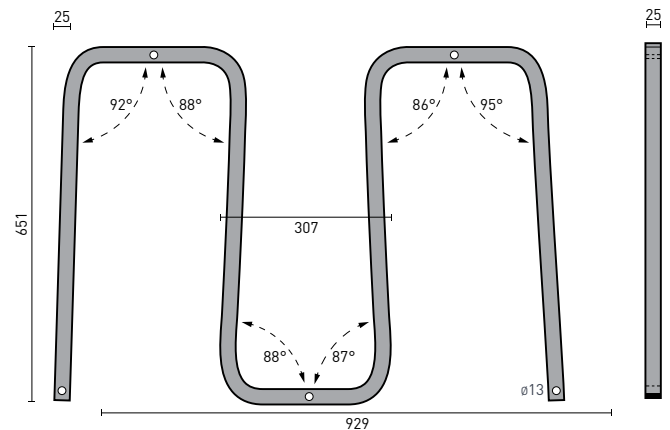
- Adjustable self-leveling feet add 55-170mm
- 1.6mm Galvanised steel
- Simplify the installation process by eliminating the need for further steel framing, a wet bed slurry or a mortar bed*
- Low cost & time saving
- Protect against the bath warranty

*If being used as a shower bath installation an additional mortar base support is required between the frame & the floor.

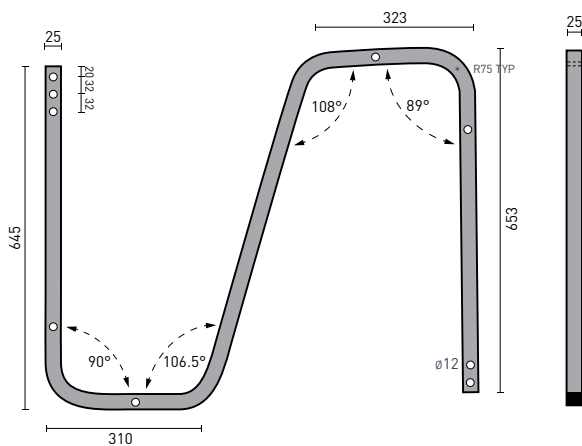
SMALL END WASTE FRAME (Suits 1500mm baths) **EZF001**



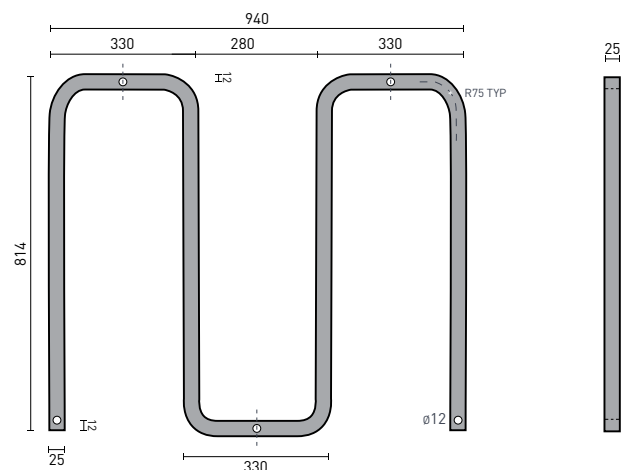
SMALL CENTRE WASTE FRAME (Suits 1500mm baths) **EZF003**



LARGE END WASTE FRAME (Suits 1600-1800mm baths) **EZF002**



LARGE CENTRE WASTE FRAME (Suits 1600-1800mm baths) **EZF004**



DECINA
 DISCOVER INDULGENCE

DECINA.COM.AU 1300 DECINA



*Warranty T&Cs apply, visit decina.com.au Decina reserves the right to change specifications without notice. Due to manufacturing tolerances dimensions may vary +/- 5mm. We recommend installation does not start until after delivery. Please confirm all particulars prior to purchase, call 1300 DECINA or visit decina.com.au