

Aria Back-to-Wall Freestanding Bath with Tile Bead / Integrated Overflow



Product Code: **AR1500WIO / AR1700WIO**

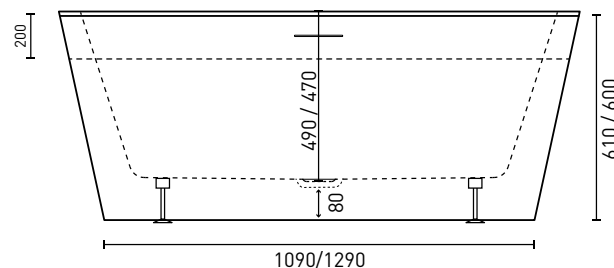
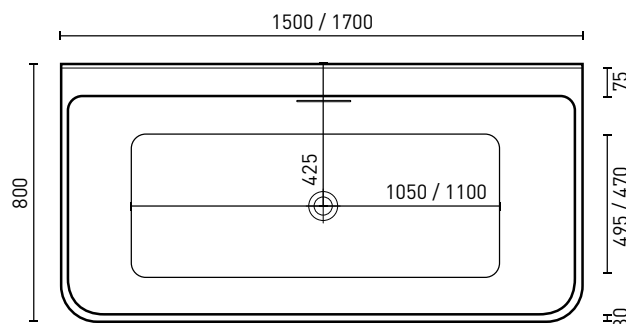
The Aria's rectangular shape features gently reclining back rests at either end, perfect for dual bathing. The unique Decina tile bead design allows it to be built into a tiled wall to save bathroom space and makes cleaning easier.

- Australian Standard 1172.5:2019
- Integrated Overflow
- Adjustable self-supporting feet
- Lumbar support
- Suitable for dual bathing
- Internal steel support frame



PRODUCT SPECIFICATIONS

Colour:	High gloss white
Material:	Premium sanitary grade acrylic
Length:	1500mm / 1700mm
Width:	800mm
Height:	610mm / 600mm
Capacity:	182L / 201L [200mm below the bath rim]
Bath Type:	Back-to-wall freestanding
Waste Position:	Centre
Net Weight:	50kg / 64kg
Warranty:	10 years* (refer to decina.com.au)

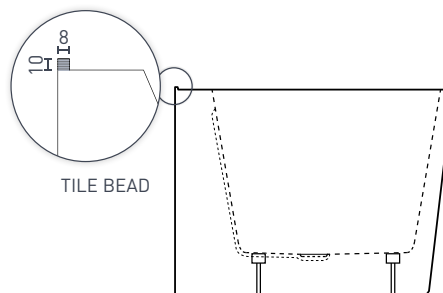


OPTIONAL ACCESSORIES

- 40mm Removable Pop-Down Waste W/O Chrome **OWA018**
- Fiore Headrest *Black Straight* **SY242-A-B**

PLEASE NOTE:

A flexible bath connector cannot be used with the Aria with an integrated overflow. Connect the waste directly to the drain.



[f](#) [i](#) [p](#) **DECINA.COM.AU** 1300 DECINA

*Warranty T&Cs apply, visit decina.com.au Decina reserves the right to change specifications without notice. Due to manufacturing tolerances dimensions may vary +/- 5mm. We recommend installation does not start until after delivery. Please confirm all particulars prior to purchase, call 1300 DECINA or visit decina.com.au