

Bianco Back-to-Wall / Corner Freestanding Bath

Product Code: BI1400W / BI1500W / BI1600W / BI1700W



The Bianco's contemporary design can either be installed as a freestanding back-to-corner or back-to-wall bath, saving space and offering an easy to install alternative to a traditional inset bath.

- Made in Australia
- Australian Standard 1172.5:2019
- Adjustable self-supporting feet
- Lumbar support
- Full steel support frame
- Centre waste
- Optional overflow available

PRODUCT SPECIFICATIONS

Colour:	Gloss white
Material:	Premium sanitary grade acrylic
Length:	1400 / 1500 / 1600 / 1700mm
Width:	730mm
Height:	530mm
Capacity:	150 / 170 / 180 / 200L [200mm below the bath rim]
Bath Type:	Back-to-wall / corner freestanding
Waste Position:	Centre
Net Weight:	36 / 40 / 42 / 44kg
Warranty:	10 years* [refer to decina.com.au]

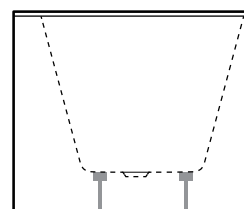
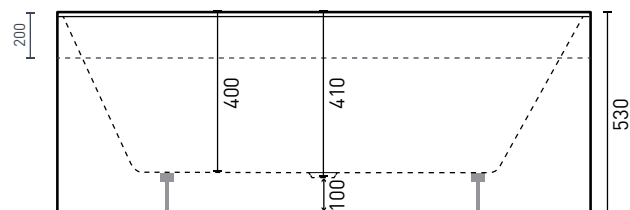
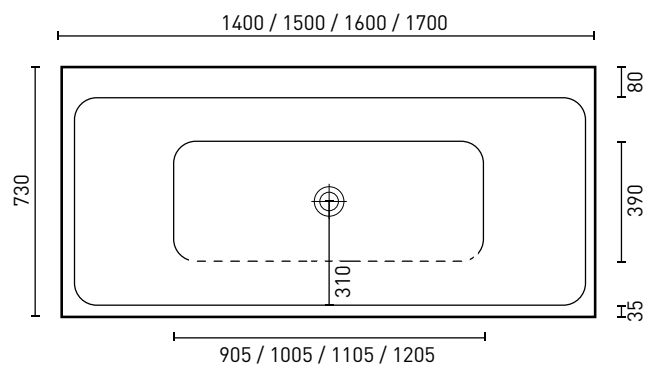
OPTIONAL ACCESSORIES

For straight through connections

- 40mm Removable pop-up waste *Chrome* **WA001**
White Gloss **WA002**, *Black Matte* **WA003**

For use when a connector is required

- Pop-down waste & flexi connector *Chrome* **OWA010**
- Pop-down bath overflow kit *Chrome* **OWA017**
- Sia headrest *Black Straight* **SY242-A-B**



DECINA
DISCOVER INDULGENCE

[DECINA.COM.AU](https://www.decina.com.au) 1300 DECINA

*Warranty T&Cs apply, visit [decina.com.au](https://www.decina.com.au) Decina reserves the right to change specifications without notice. Due to manufacturing tolerances dimensions may vary +/- 5mm. We recommend installation does not start until after delivery. Please confirm all particulars prior to purchase, call 1300 DECINA or visit [decina.com.au](https://www.decina.com.au)