

DECINA

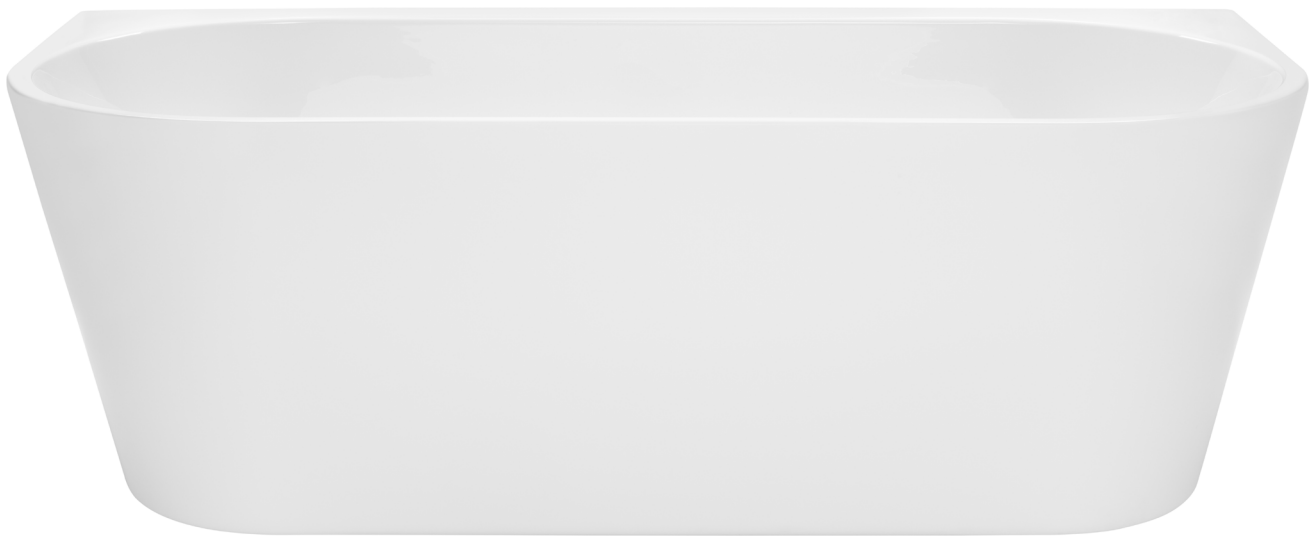
DISCOVER INDULGENCE

ALEGRA BACK-TO-WALL FREESTANDING BATH INSTALLATION & OWNER GUIDE

Thank you for purchasing a Decina Alegra Freestanding Bath.

This manual provides the correct steps and care advice for a safe and long lasting installation.

Manufactured from premium sanitary grade acrylic, the Alegra freestanding back-to-wall bath is easy to install with adjustable self-supporting feet. The unique design of the Alegra allows it to sit flush up against a bathroom wall with no integration required, which saves bathroom space and makes cleaning easier.



AG1500WAU 1500(L) x 800(W) x 590(H) mm

AG1700WAU 1700(L) x 800(W) x 590(H) mm

THIS PRODUCT MUST BE INSTALLED BY A QUALIFIED TRADESMAN



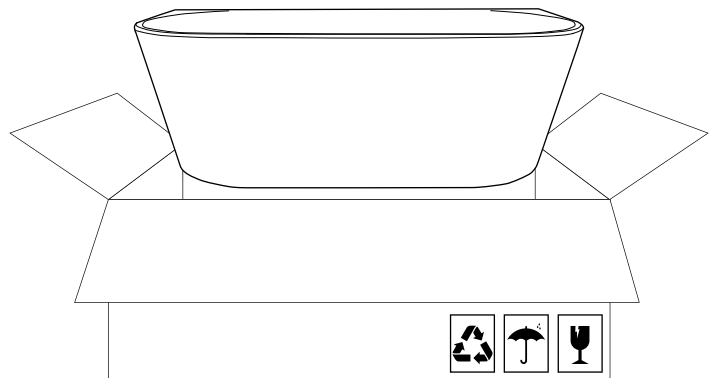
PRE-INSTALLATION CHECKS

- ❶ Unpack & check the item is correct & no damage has occurred during transit.
- ❷ If there are any visible defects **DO NOT PROCEED WITH THE INSTALLATION & please contact the place of purchase immediately. ANY CLAIMS FOR DAMAGE WILL NOT BE ACCEPTED AFTER INSTALLATION.**
- ❸ Protect your bath before & during installation, scratches &/or cracks &/or surface damage sustained during or after the installation are not covered by warranty.
- ❹ Installation must be in accordance with building regulations & local authority requirements.

INSTALLATION STEPS

STEP 1.

Remove your freestanding bath from the box. Check for damage and ensure your bath does not come in contact with any rough surfaces which may scratch your bath. Place your freestanding bath on cardboard or carpet during installation. Place the freestanding bath in the correct position for installation.

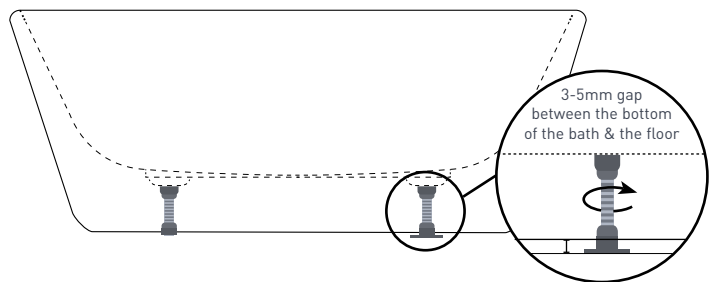


STEP 2.

Adjust the leveling feet until the bath base is 3-5mm above the finished floor. If measuring from the unfinished floor take into account the floor finishing thickness (such as tiles) into account. Turn the feet bolts and level accordingly.

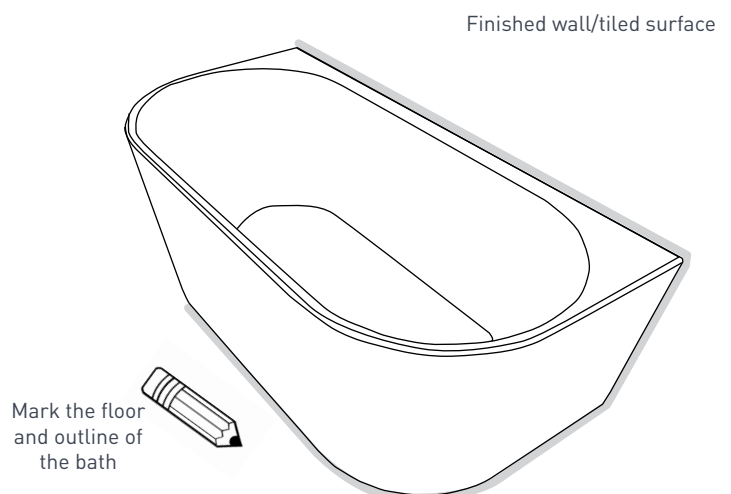
Ensure there is 3-5mm of space between the bottom of the bath shell and the floor. Installing directly on the floor will place pressure on the outside wall of the bath, and will potentially crack the bath.

Ensure the bath is level so all water can drain to the waste outlet.



STEP 3.

Mark the desired position of the bath on the floor and the outline on the wall.



INSTALLATION STEPS

STEP 4.

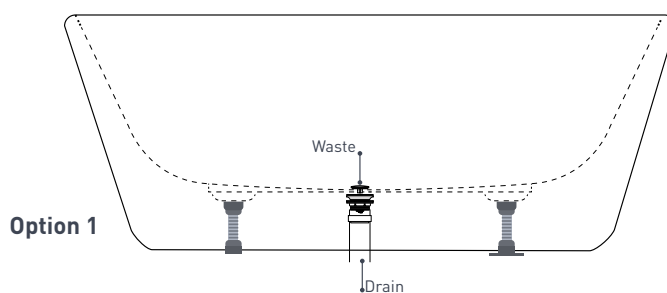
Carefully tilt the bath on its side and connect it to the drain outlet.

Option 1 Use a straight through connection

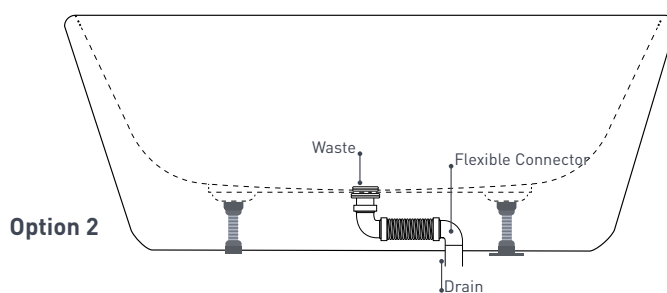
Option 2 Use a Decina Pop down Flexible Connector

Ensure the Flexible Connector is cut to the correct length for easier installation and to prevent drainage issues.

Before finishing, water test for leaks and correct drainage. Fill the freestanding bath with water and check the water flows easily to the waste outlet. A small amount of residual water may be present due to surface tension.



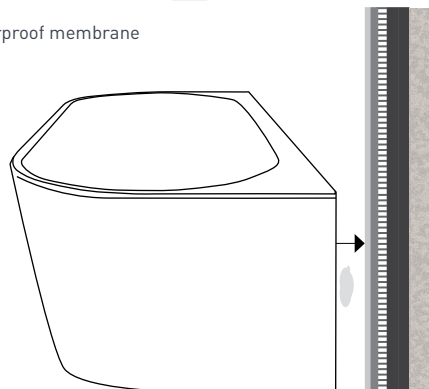
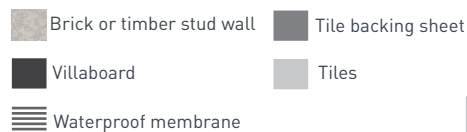
WA001 / WA002 / WA003 - 40mm Removable pop-up waste
Min. clearance 100mm



OWA010 Pop-down waste & flexi connector
Min. clearance 100mm

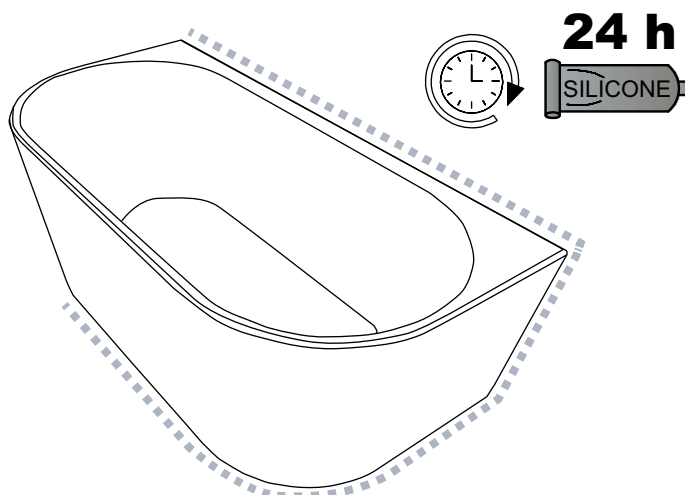
STEP 5.

Apply silicon to the back of the bath and slide the bath flush up against the bathroom wall. Installation must comply with local authority regulations and building codes.



STEP 6.

Apply silicone around the bath outline and allow it to set for a minimum of 24 hours.



MAINTENANCE

DECINA USES THE HIGHEST SANITARY GRADE ACRYLIC, HOWEVER NAKED FLAMES, CIGARETTES OR STRONG CHEMICALS SHOULD BE AVOIDED & REMOVED IMMEDIATELY TO PRESERVE THE HIGH GLOSS ACRYLIC SURFACE:

- ❗ When filling the bath start with cold water to allow the bath to gradually adapt to the temperature.
- ❗ After using your bath clean with a soft cloth & warm soapy water to clean any oils or soap, to prevent tide marks & preserve the polished surface.
- ❗ Clean using warm soapy water & only mild liquid detergents. do not use powders, pastes, creams, chemicals, window cleaning sprays or abrasive cleaners.
- ❗ Cream cleaners may only BE USED to remove stubborn marks.
- ❗ Scratches can be removed with a fine polish like Brasso.

WARRANTY TERMS & CONDITIONS

All Decina products are manufactured to the highest standards and guaranteed to be free of defects, subject to the conditions outlined below. In addition to the statutory rights given under Australian Consumer Law, Decina offers the following extended warranty periods from the date of purchase or handover:

PRODUCT	WARRANTY	TERMS
FREESTANDING BATH - Acrylic Shell / Steel Frame	10 Years / 1 Year	Replacement Products / Parts & labour

The Decina warranty is only applicable when the product has been installed by a qualified tradesman, in full accordance with the installation instructions and statutory requirements. The warranty specifically EXCLUDES damages discovered AFTER installation.

Decina's responsibility for claims relating to impact damage ceases within 48 hours after delivery to the Decina re-seller's store.

The extended warranties only apply to faults or defects in the product arisen solely from faulty materials or workmanship in the products and does not apply to other defects for example from; damage, abuse, neglect or changes to the product supplied.

The warranty only extends to the supply of a replacement product or credit to the value of the purchase and excludes consequential damage ensuing from the product application or use. The responsibility for the removal and replacement of the product is with the installer and/or owner. Where the manufacturer "Decina" accepts that the product is at fault, the maximum contribution to the removal and replacement costs will be \$500.

Repairs of the Products other than by a Decina accredited or licensed service agent or technician are not covered.

In addition to this extended warranty, certain legislation (including the ACL) may give you certain rights which cannot be excluded, restricted or modified, this extended warranty must be read subject to such legislation and nothing in this warranty has the effect of excluding, restricting or modifying those rights.

To make a warranty claim, please visit the Decina website decina.com.au/warranty-claim/ or email services@decina.com.au and attach the following documentation:

- Proof of purchase (original invoice from the supplier)
- Details of the warranty claim including the date of installation, installer's details and head contractors
- Your contact details

If the Product has not been installed, please contact Decina to inspect the Product. If the claim is accepted, the Product can be returned or exchanged. Note: The extended warranty only applies to the original owner and is not transferable. Decina reserves the right to charge a service fee for any staff called to attend premises where products have been installed and the warranty claim is not authorised.

Copyright April 2024. Decina Bathroomware Pty Ltd. ABN 39845 084 033

PLEASE LEAVE THIS MANUAL WITH THE END USER

DECINA
DISCOVER INDULGENCE

DECINA.COM.AU 1300 DECINA   

*Warranty T&Cs apply. All dimensions are nominal & subject to manufacturing tolerances & may vary +/-5mm therefore we strongly recommend installation does not occur until after delivery. Decina reserves the right to modify or change models without notice. Please confirm all particulars with your sales consultant prior to purchase. For further information and for warranty T&C's, please visit decina.com.au