

DECINA

DISCOVER INDULGENCE

FLORIANO CURVED FRAMED SHOWER SCREEN INSTALLATION MANUAL

Thank you for purchasing a Decina Floriano Shower Screen.

This manual provides the correct steps & care advice for a safe & long lasting installation.

The Floriano curved chrome framed shower screen features a single sliding door for easy access. The curved door can be installed for left or right hand entry. The glass is 6mm safety glass with EZI Clean coating for easy maintenance. Install on tiled floor and walls or combine with a two-sided acrylic shower wall and an acrylic shower base.



FLSSCURVED 1000(L) x 1000(W) x 2000(H) mm

THIS PRODUCT MUST BE INSTALLED BY A QUALIFIED TRADESMAN



- ❗ Unpack & check the item is correct & not damaged. If there are any visible defects do not proceed with the installation & contact the place of purchase immediately. **ANY CLAIMS FOR DAMAGE WILL NOT BE ACCEPTED AFTER INSTALLATION.**
- ❗ Ensure there is a gasket between glass & metal components.
- ❗ Leave the plastic protectors on the glass corners for as long as possible & handle with care.
- ❗ In cold climates, warming the gaskets & seals with hot water or a hairdryer will assist with the installation.
- ❗ A risk assessment should be completed prior to commencing the installation to ensure safe practices are followed for the manual handling of the fragile glass.
- ❗ Instructions to install the shower tray are included with the shower tray.
- ❗ On symmetrical pieces of glass, the EZI Clean coating is only on one face. This face will have a sticker on it to identify it. This side must be installed on the wet side of the shower.

SAFETY EQUIPMENT REQUIRED FOR INSTALLATION



Protective Clothing



Foot Protection



Eye Protection



Hand Protection

TOOLS REQUIRED FOR INSTALLATION

ENSURE YOU HAVE ALL TOOLS FOR THE COMPLETE INSTALLATION BEFORE COMMENCING.

Silicone Sealant

Drill

Level

Rubber Mallet

Pencil

Phillips Screwdriver

Tape Measure

Cutting Pliers

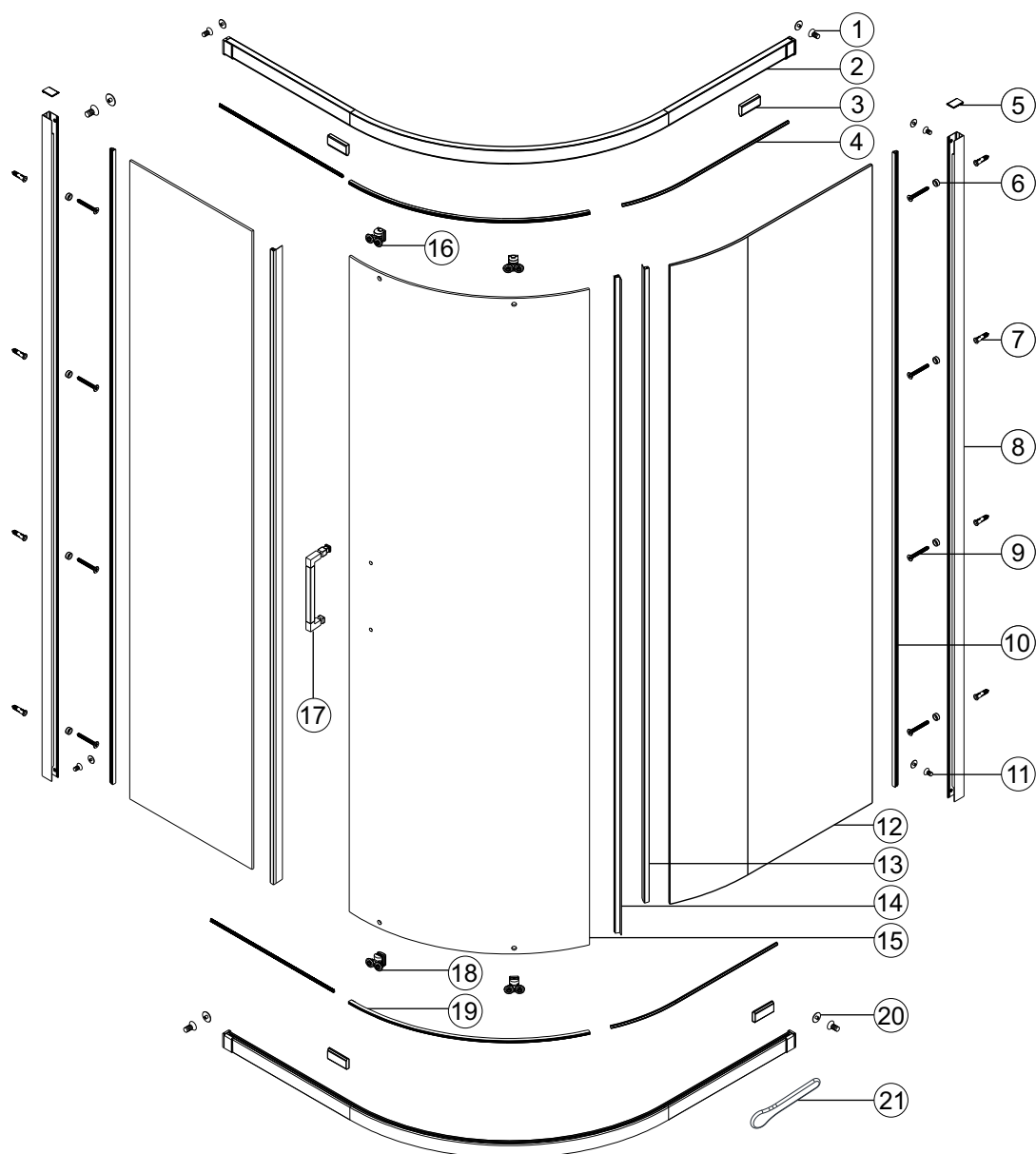
Utility Knife

6mm (1/4") Drill Bit

3mm (1/8") Drill Bit

- Use the correct drill bit for the material being drilled. The 6mm drill bit is required for anchor fixing and the 3mm drill bit is required for screwing directly into the wall studs.
- As with all toughened safety glass, take care while handling and wear safety glasses and gloves for protection.

PARTS LIST

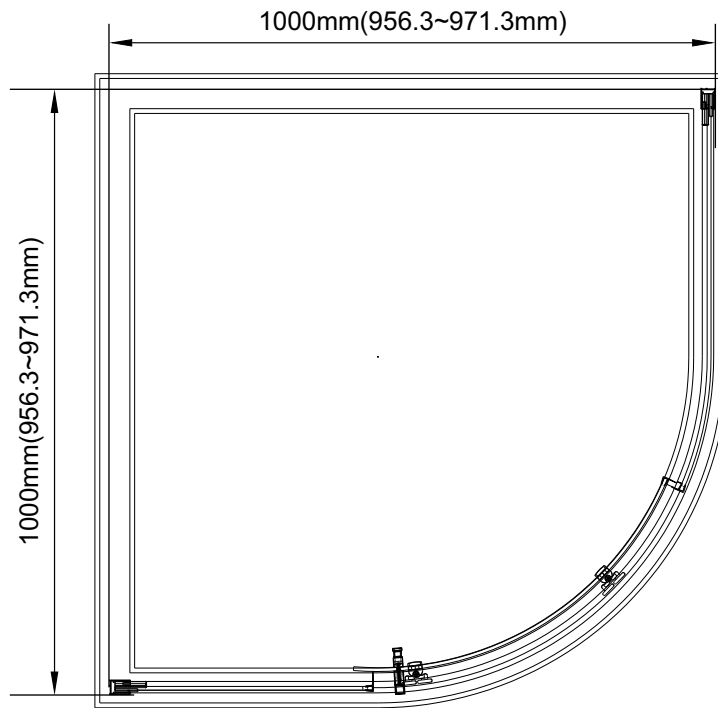


NO.	QTY	DESCRIPTION
1	4	Screw M4 x 16
2	2	Top and bottom profile
3	8	Gasket
4	4	Squeeze gasket
5	2	Channel cap extrusion
6	10	Sleeve for screw
7	10	Wall anchor
8	2	Chrome Wall Channel
9	10	Glass Wedge spacer
10	2	Materials tape
11	4	Screw M4 x 10

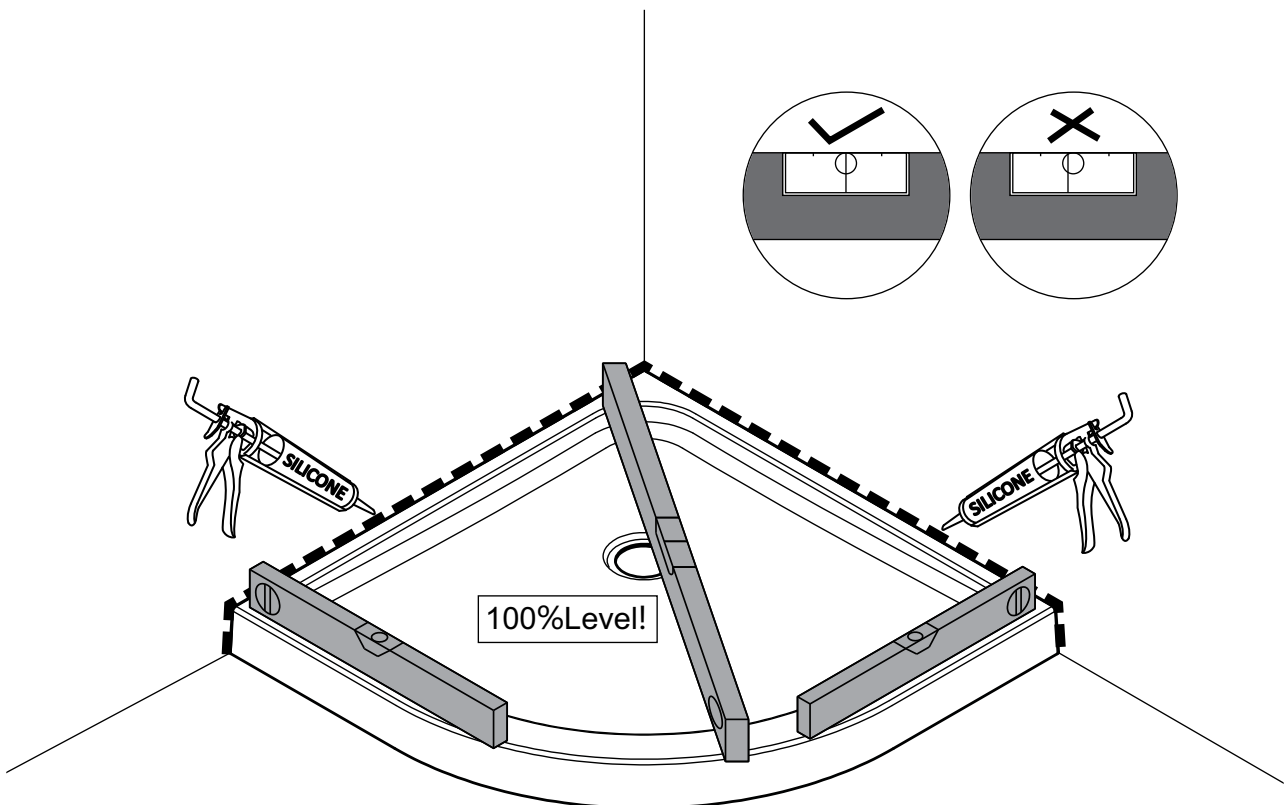
NO.	QTY	DESCRIPTION
12	2	Fixed panel
13	2	Gasket kit for door and fixed panel
14	2	Gasket kit for door and fixed panel
15	1	Pivot panel
16	2	Fixed Top Roller
17	1	Handle
18	2	Spring Loaded Roller
19	2	Bead filler
20	8	Screw cap
21	1	Squeeze gasket tool

SHOWER SCREEN INSTALLATION STEPS

STEP 1.

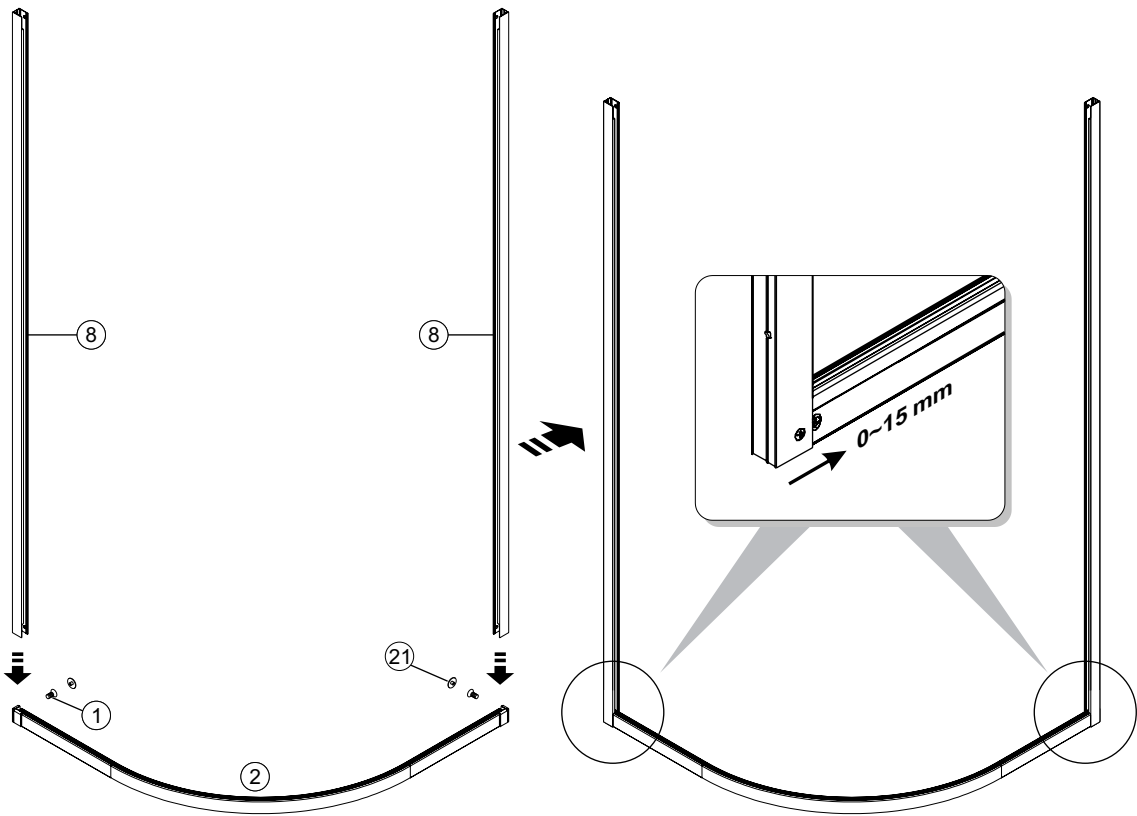


STEP 2.



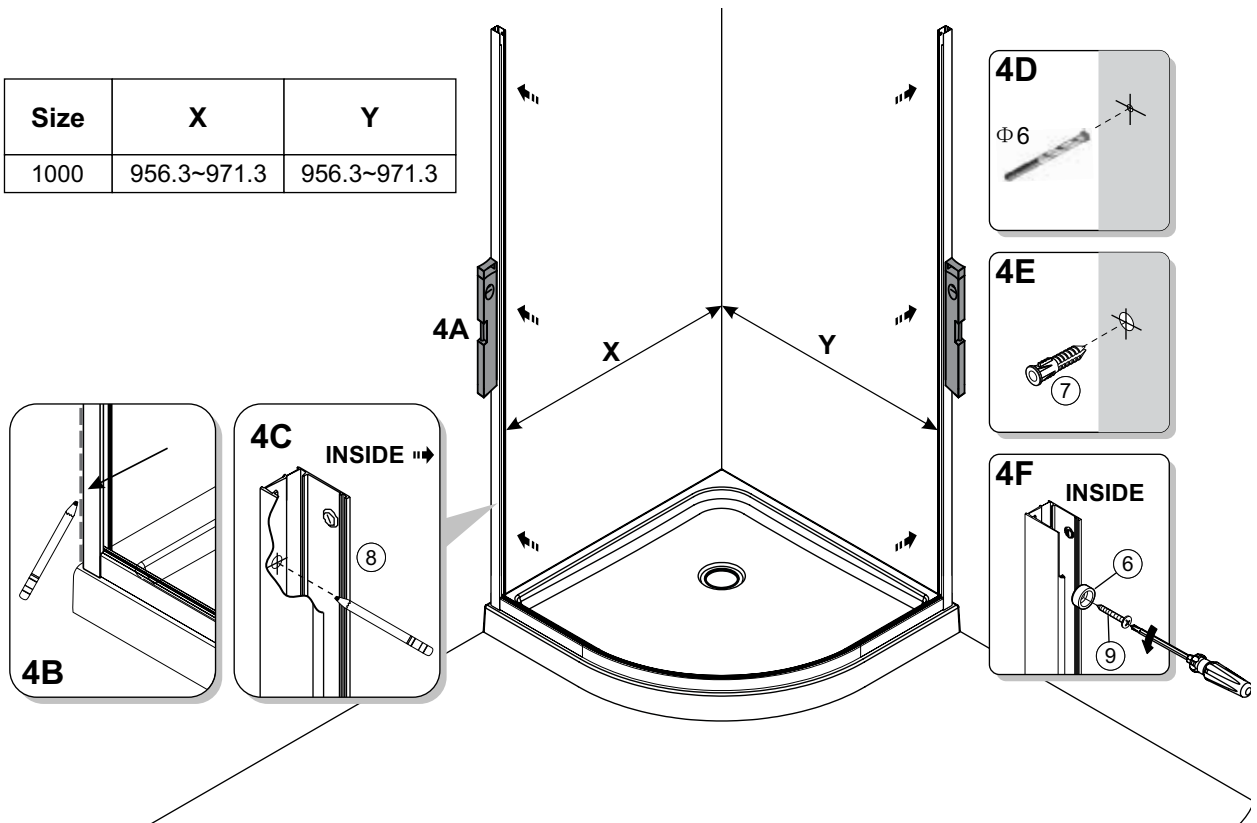
SHOWER SCREEN INSTALLATION STEPS

STEP 3



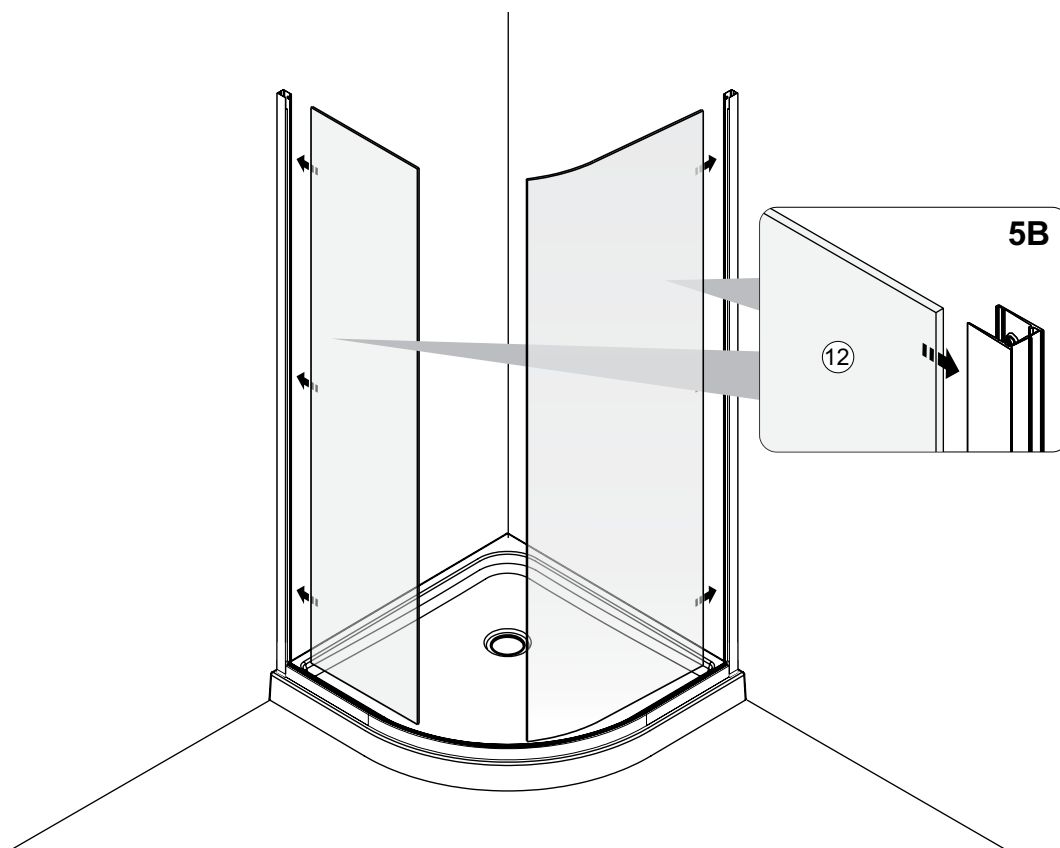
STEP 4

Size	X	Y
1000	956.3~971.3	956.3~971.3

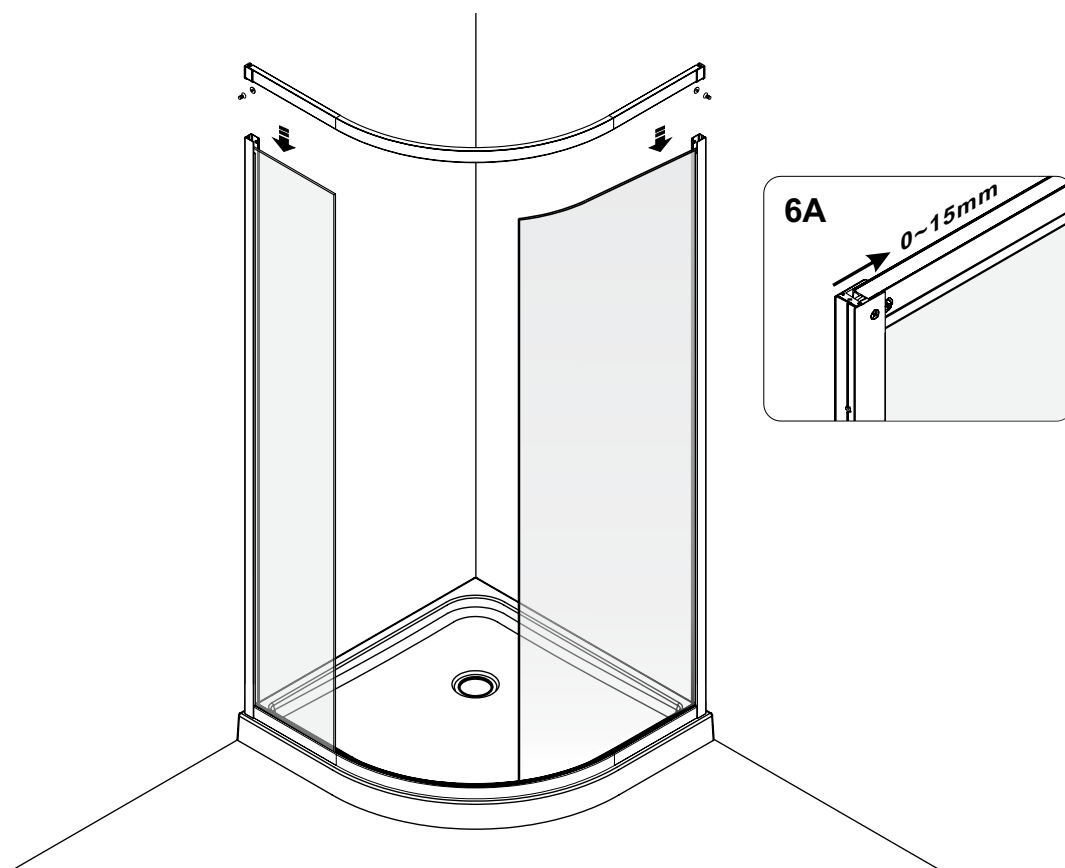


SHOWER SCREEN INSTALLATION STEPS

STEP 5

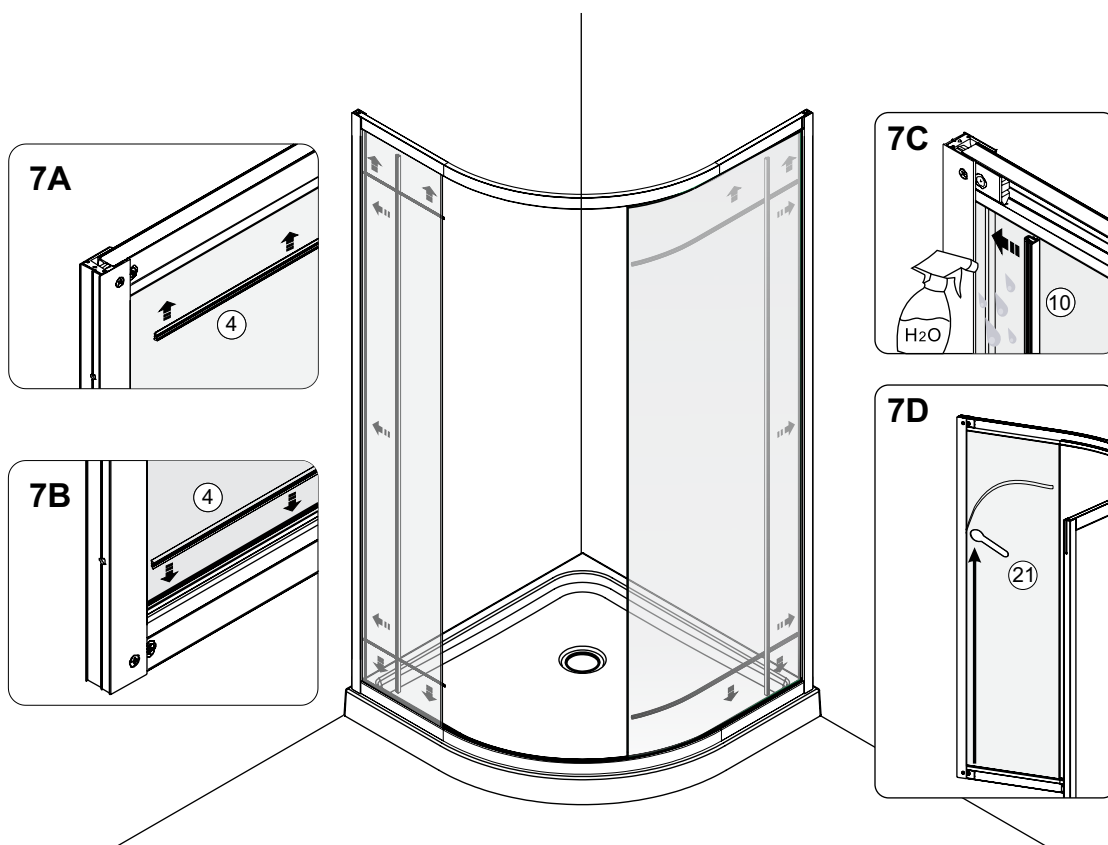


STEP 6

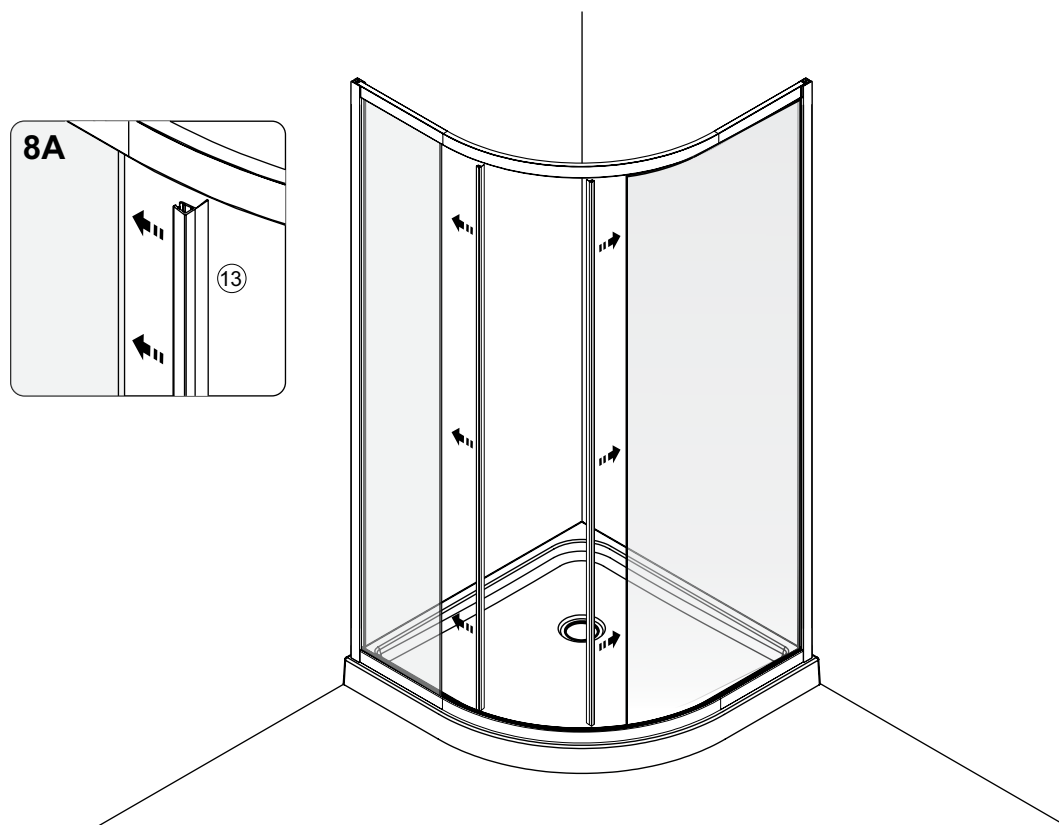


SHOWER SCREEN INSTALLATION STEPS

STEP 7

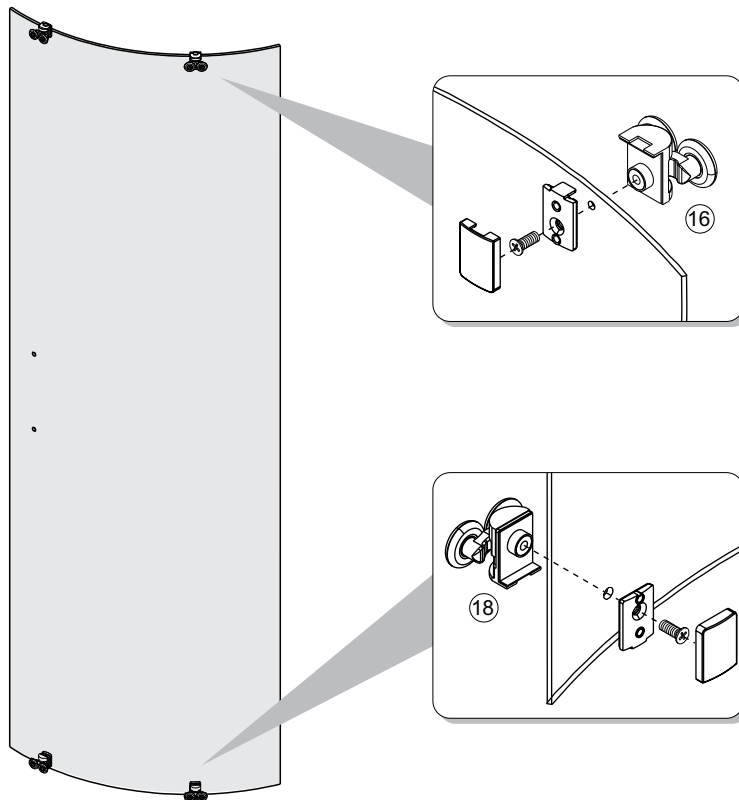


STEP 8

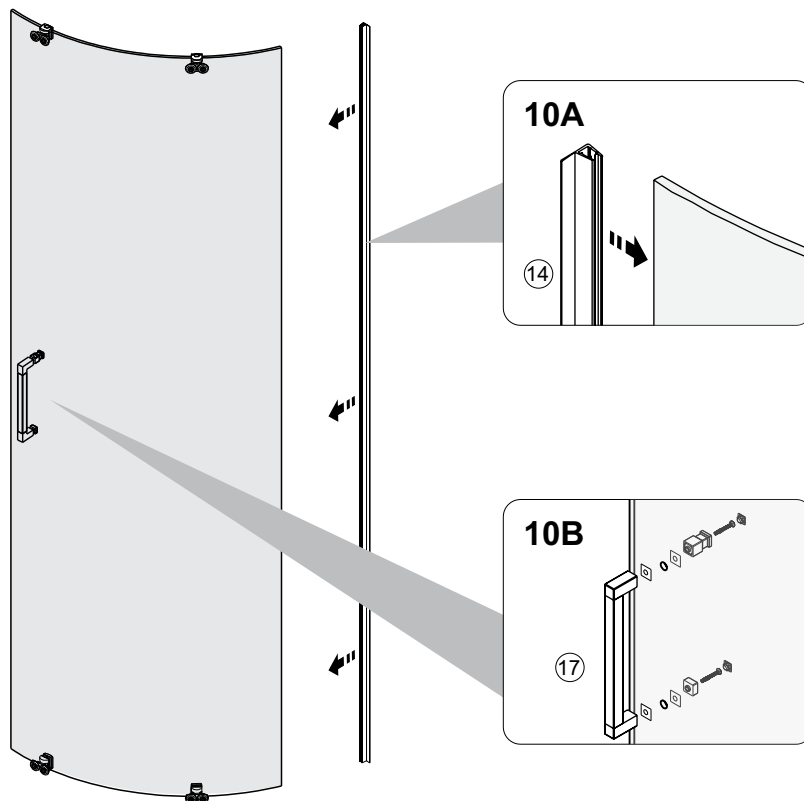


SHOWER SCREEN INSTALLATION STEPS

STEP 9

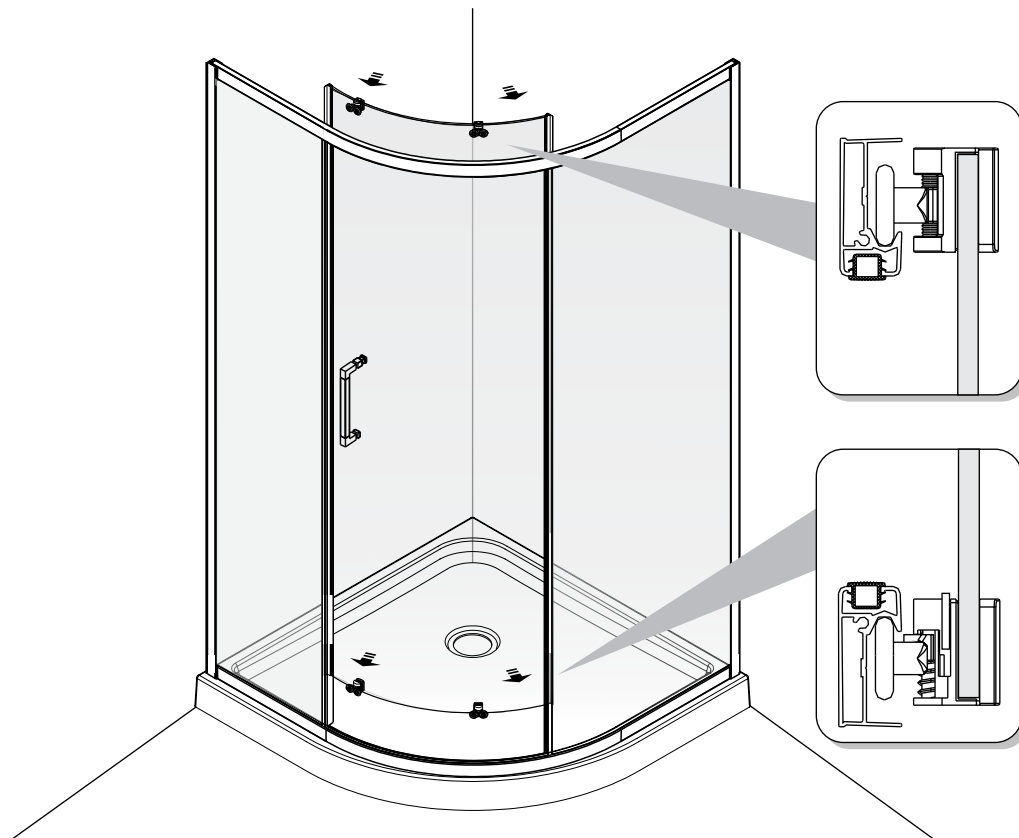


STEP 10

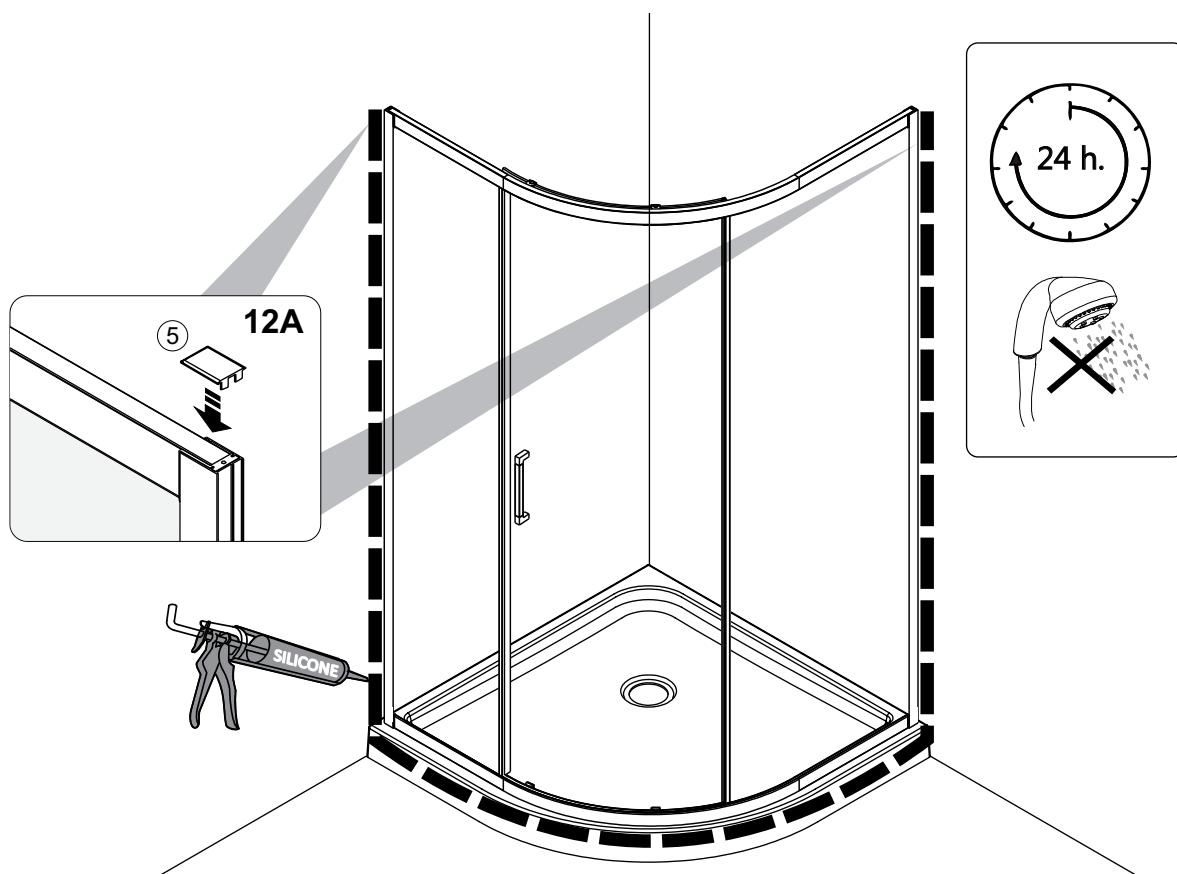


SHOWER SCREEN INSTALLATION STEPS

STEP 11



STEP 12



MAINTENANCE

The use of harsh or abrasive cleaners will cause deterioration of the EZI Clean coating. If water alone is not enough to clean the glass, Decina recommends the use of mild detergent solutions only. Damage caused by any improper treatment is not covered by the product warranty- refer to Warranty Conditions.

WARRANTY TERMS & CONDITIONS

All Decina products are manufactured to the highest standards and guaranteed to be free of defects, subject to the conditions outlined below. In addition to the statutory rights given under Australian Consumer Law, Decina offers the following extended warranty periods from the date of purchase or handover:

PRODUCT	WARRANTY	TERMS
FLORIANO Framed Curved Shower Screen	5 YEARS	Replacement Products or Parts

The Decina warranty is only applicable when the product has been installed by a qualified tradesman, in full accordance with the installation instructions and statutory requirements. The warranty specifically EXCLUDES damages discovered AFTER installation.

Decina's responsibility for claims relating to impact damage ceases within 48 hours after delivery to the Decina re-seller's store.

The extended warranties only apply to faults or defects in the product arisen solely from faulty materials or workmanship in the products and does not apply to other defects for example from; damage, abuse, neglect or changes to the product supplied.

The warranty only extends to the supply of a replacement product or credit to the value of the purchase and excludes consequential damage ensuing from the product application or use. The responsibility for the removal and replacement of the product is with the installer and/or owner. Where the manufacturer "Decina" accepts that the product is at fault, the maximum contribution to the removal and replacement costs will be \$500.

Repairs of the Products other than by a Decina accredited or licensed service agent or technician are not covered.

In addition to this extended warranty, certain legislation (including the ACL) may give you certain rights which cannot be excluded, restricted or modified, this extended warranty must be read subject to such legislation and nothing in this warranty has the effect of excluding, restricting or modifying those rights.

To make a warranty claim, please visit the Decina website decina.com.au/warranty-claim/ or email services@decina.com.au and attach the following documentation:

- Proof of purchase (original invoice from the supplier)
- Details of the warranty claim including the date of installation, installer's details and head contractors
- Your contact details

If the Product has not been installed, please contact Decina to inspect the Product. If the claim is accepted, the Product can be returned or exchanged. Note: The extended warranty only applies to the original owner and is not transferable. Decina reserves the right to charge a service fee for any staff called to attend premises where products have been installed and the warranty claim is not authorised.

Copyright Oct 2019. Decina Bathroomware Pty Ltd. ABN 39845 084 033

PLEASE LEAVE THIS MANUAL WITH THE END USER

DECINA
DISCOVER INDULGENCE

DECINA.COM.AU 1300 DECINA   

*Warranty T&Cs apply. All dimensions are nominal & subject to manufacturing tolerances & may vary +/-5mm therefore we strongly recommend installation does not occur until after delivery. Decina reserves the right to modify or change models without notice. Please confirm all particulars with your sales consultant prior to purchase. For further information and for warranty T&C's, please visit decina.com.au