

Cascade Semi-Frameless Rectangle Shower System

Product Code: **CASYS1200RC**



Shower Screen / Walls



Shower Base

The Cascade shower system is a 3 part, low maintenance, leak resistant shower area consisting of a semi-frameless pivot door with interior/exterior stainless steel handle, frameless return panels, an acrylic 2-sided shower wall and shower base.



SHOWER SCREEN

- AS/NZ Standard 1288:2006
- Easy install gasket wall system
- Adjustable wall channel +15m*
- Right or left hand door entry
- Soft magnetic door closing system
- Anti-fungal & UV resistant seals
- Dripless door strips
- EZI clean glass coating
- Fully concealed fixtures
- Corrosion resistant steel fittings

PRODUCT SPECIFICATIONS

Material: Aluminium / Chrome / Clear 6mm toughened safety glass

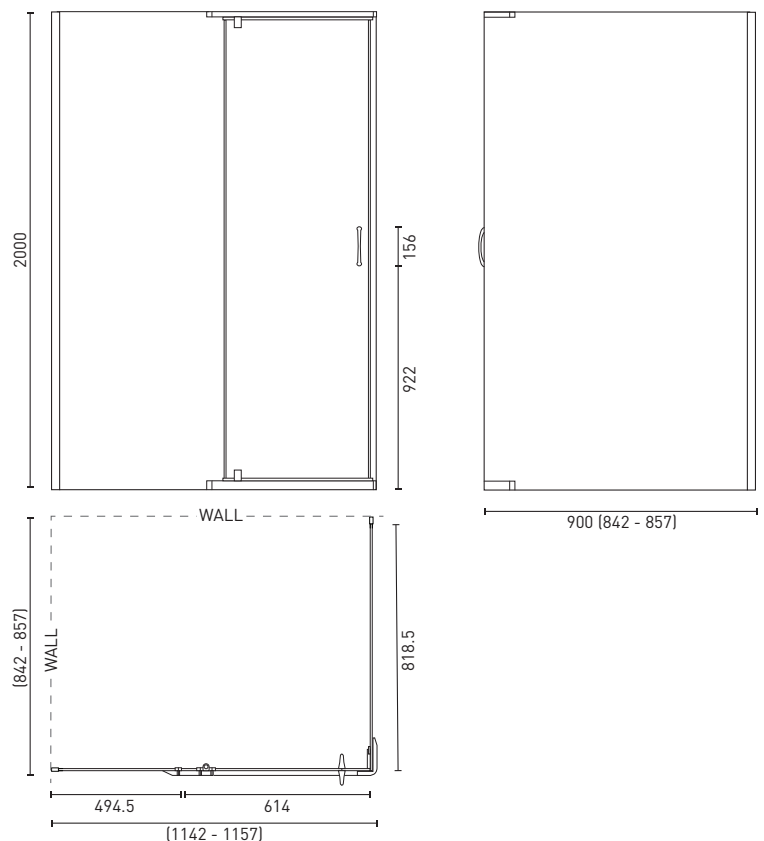
Length: 1200mm [1142 - 1157]*

Width: 900mm [842 - 857]*

Height: 2000mm

Net Weight: 74kgs

Warranty: 5 years* (refer to decina.com.au)

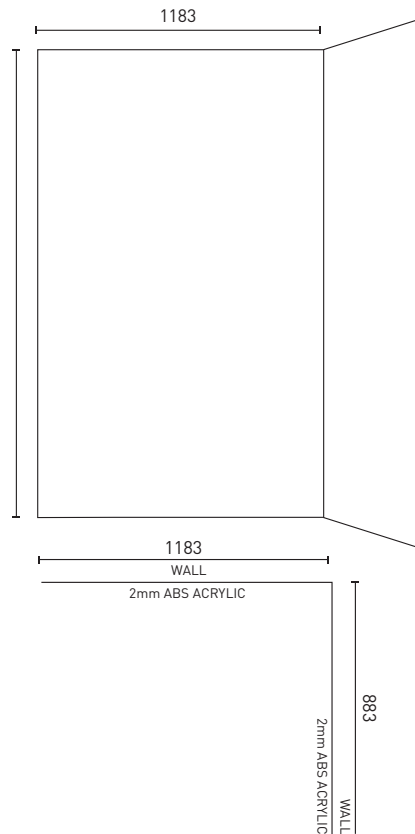


SHOWER WALLS

- Made to AS/NZ Standard 3588:1996
- Easy to install
- Easy to clean and maintain
- Reduces mould
- Long-lasting durability

PRODUCT SPECIFICATIONS

Material:	2mm coextruded ABS acrylic, high gloss white
Width:	1183mm
Depth:	883mm
Height:	2005mm
Net Weight:	10kg
Warranty:	5 years* (refer to decina.com.au)

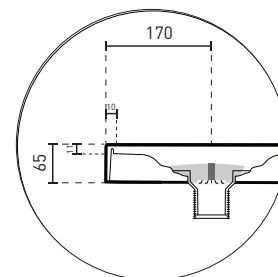
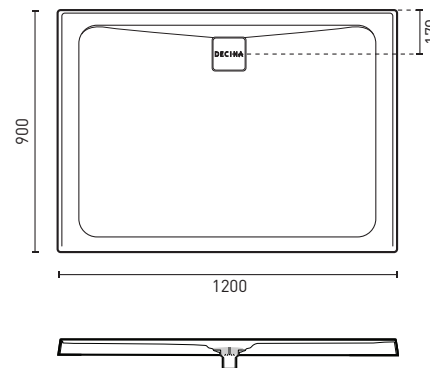


SHOWER BASE

- Made to AS/NZ Standard 3588:1996
- Can be fully integrated into walls
- Tile bead on three sides
- Steel rod reinforced base
- Triple reinforced with fiberglass, timber and resin
- Rear outlet position
- Chrome friction lock removable waste cover
- 49mm low entry height
- Self-supporting feet
- No mortar bed required
- Slip resistant
- Easy to clean and maintain

PRODUCT SPECIFICATIONS

Material:	Premium sanitary grade acrylic, high gloss white / chrome
Width:	1200mm
Depth:	900mm
Height:	64mm (base height to the top of the tile bead)
Net Weight:	28kg
Warranty:	10 years (refer to decina.com.au)



DECINA
DISCOVER INDULGENCE

[DECINA.COM.AU](https://www.decina.com.au) 1300 DECINA



*Warranty TandCs apply, visit [decina.com.au](https://www.decina.com.au) Decina reserves the right to change specifications without notice. Due to manufacturing tolerances dimensions may vary +/- 5mm. We recommend installation does not start until after delivery. Please confirm all particulars prior to purchase, call 1300 DECINA or visit [decina.com.au](https://www.decina.com.au)