

# Carina Dolce Vita Island Spa Bath

 MADE IN AUSTRALIA



SPA BATH SHELL



PUMP, JETS  
& FITTINGS

The Carina's planes have been angled to maximize bath space, reclining comfort & function. Its island style allows it to be set away from adjoining walls allowing the viewer to truly appreciate its simple elegance.

- AS/NZ Standard 3861:1991
- Steel rod reinforced rim
- Double reinforced bath base
- Suitable for dual bathing

## PRODUCT SPECIFICATIONS

- Colour:** High Gloss White
- Material:** Premium Sanitary grade acrylic
- Length:** 1675mm / 1750mm
- Width:** 765mm / 805mm
- Height:** 440mm / 480mm
- Capacity:** 166L / 182L [200mm below the bath rim]
- Bath Type:** Island
- Waste Position:** Centre
- Warranty:** \*10 years spa shell, \*5 years pump, jets, fittings (\*refer to decina.com.au)

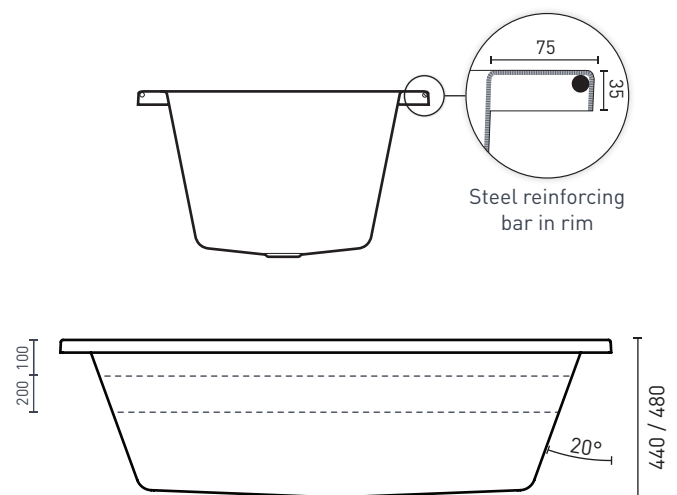
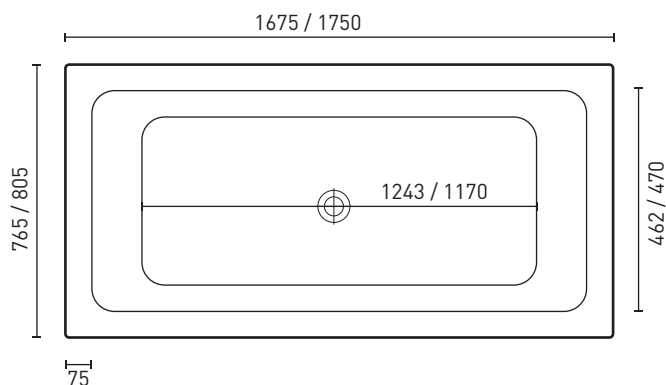
## CARINA DOLCE VITA SPA BATH ●●●● 18 JETS

SIZE (l) x (w) x (d) mm	CAPACITY*	NET WEIGHT	CODE
1675 x 765 x 440	166L	57kg	CA1675DVSPAWC
1750 x 805 x 480	182L	65kg	CA1750DVSPAWC

- 6 x adjustable flush C-Lenda™ centro jets
- 12 x adjustable flush C-Lenda™ mini jets
- 2 x flush C-Lenda™ air controls
- 1 x flush C-Lenda™ suction
- Spa Key remote control
- 1100 watt spa key heat boost pump
- 2 x Fiore black headrests



Available with Chrome, White or Black jets 



# SPA BATH ORDER FORM


Spa baths are made to order on receipt of the order form & are non-refundable. Please allow approximately 15-20 working days for completion & dispatch. We recommend filling out your SPA BATH ORDER FORM with your qualified tradesperson.

DATE: \_\_\_\_\_

COMPANY: \_\_\_\_\_ BRANCH: \_\_\_\_\_

CONTACT: \_\_\_\_\_ PHONE: \_\_\_\_\_

ORDER NO: \_\_\_\_\_ MODEL: \_\_\_\_\_ SIZE: \_\_\_\_\_

QTY: \_\_\_\_\_ JET COLOUR: **DOLCE VITA ONLY** (NO additional cost)  Chrome White Black

CUSTOMER NAME: \_\_\_\_\_ CUSTOMER SIGNATURE: \_\_\_\_\_

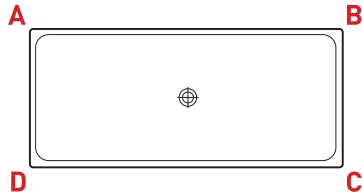
CUSTOMER EMAIL: \_\_\_\_\_ CUSTOMER PHONE NO: \_\_\_\_\_

CARINA ACCESSORIES	PRODUCT CODE	DOLCE VITA
40mm Removable pop-up waste	Chrome <b>WA001</b> / White Gloss <b>WA002</b> / Black Matte <b>WA003</b>	Optional
Pop-up waste & overflow kit	Chrome <b>OWA001</b>	Optional
Pop-down waste & overflow kit	Chrome <b>OWA002</b> / Black Matte <b>OWA003</b> / White Gloss <b>OWA007</b>	Optional
Fiore Black Headrest	Black Straight <b>SY242-A-B</b>	2 x included
EZI Feet (1665mm & 1650mm)	<b>EZF005</b>	Optional
Base Support Frame	<b>Various</b>	Included
Flexible Bath Connector	<b>OWA005</b>	Optional
TriFlo Spa Pump Bracket & Cover (outside pump)	<b>EDG119</b>	Optional
TriFlo Cover Plate (outside pump)	<b>EDG138</b>	Optional
TriFlo Drain Tray & 1m Tubing (inside pump)	<b>EDG140</b>	Optional
Bamboo Bath Caddy	<b>BC001</b>	Optional

## SPA PUMP NOTES

- The spa pump does not fit directly in the baths perimeter (allow 100mm)
- The spa pump must be easily accessible for maintenance
- Waste positions can not be changed
- We recommend spa pumps installed outside are fitted with a Spa Pump Cover **EDG119**
- We recommend spa pumps installed inside are fitted with a Drain Tray **EDG140**

**TICK THE BOX NEXT TO YOUR PUMP POSITION A / B / C / D ON THE DIAGRAM**



Whilst every effort is made to adhere to published jet & fittings positions, variation to specifications may occur without notice. \*Warranty T&Cs apply, visit [decina.com.au](http://decina.com.au) Decina reserves the right to change specifications without notice. Due to manufacturing tolerances dimensions may vary +/- 5mm. We recommend installation does not start until after delivery. Please confirm all particulars prior to purchase, call 1300 DECINA or visit [decina.com.au](http://decina.com.au)