

AVALON 1200 FRAMELESS SLIDING SHOWER SCREEN INSTALLATION MANUAL

Thank you for purchasing an Avalon Cascade Shower Screen.

This manual provides the correct steps & care advice for a safe & long lasting installation.

The Avalon's sliding door features innovative stainless steel, square rollers & a polished aluminum frame. With generous height & a space saving design, an interior/exterior stainless steel handle & a soft magnetic closing system, functionality & style are equally matched. Install on tiled floor and walls or combine with a two-sided acrylic shower wall and an acrylic shower base.



AVSS1200C 1200(L) x 900(W) x 2000(H) mm

THIS PRODUCT MUST BE INSTALLED BY A QUALIFIED TRADESMAN



- ❗ Unpack & check the item is correct & not damaged. If there are any visible defects do not proceed with the installation & contact the place of purchase immediately. **ANY CLAIMS FOR DAMAGE WILL NOT BE ACCEPTED AFTER INSTALLATION.**
- ❗ Ensure there is a gasket between glass & metal components.
- ❗ Leave the plastic protectors on the glass corners for as long as possible & handle with care.
- ❗ In cold climates, warming the gaskets & seals with hot water or a hairdryer will assist with the installation.
- ❗ A risk assessment should be completed prior to commencing the installation to ensure safe practices are followed for the manual handling of the fragile glass.
- ❗ Instructions to install the shower tray are included with the shower tray.
- ❗ On symmetrical pieces of glass, the EZI Clean coating is only on one face. This face will have a sticker on it to identify it. This side must be installed on the wet side of the shower.

SAFETY EQUIPMENT REQUIRED FOR INSTALLATION



Protective Clothing



Foot Protection



Eye Protection



Hand Protection

TOOLS REQUIRED FOR INSTALLATION

ENSURE YOU HAVE ALL TOOLS FOR THE COMPLETE INSTALLATION BEFORE COMMENCING.

Silicone Sealant

Drill

Level

Rubber Mallet

Pencil

Phillips Screwdriver

Tape Measure

Cutting Pliers

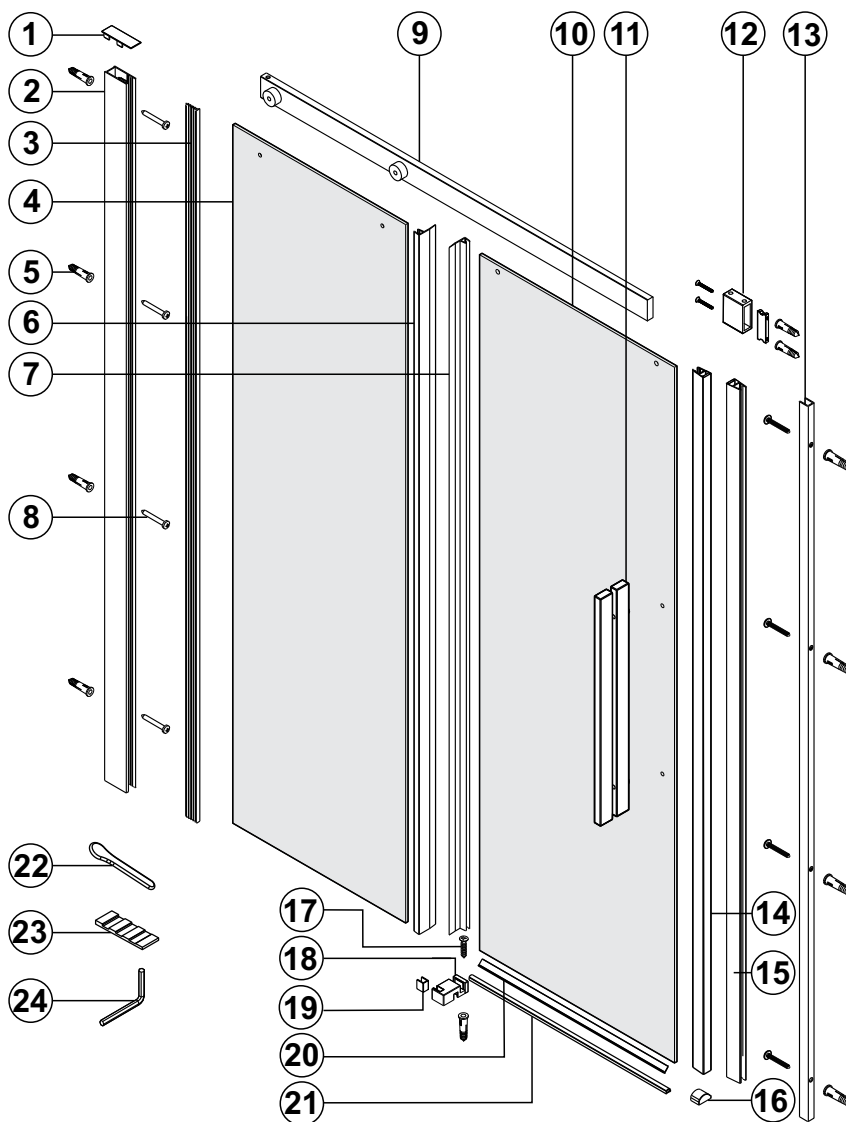
Utility Knife

6mm (1/4") Drill Bit

3mm (1/8") Drill Bit

- Use the correct drill bit for the material being drilled. The 6mm drill bit is required for anchor fixing and the 3mm drill bit is required for screwing directly into the wall studs.
- As with all toughened safety glass, take care while handling and wear safety glasses and gloves for protection.

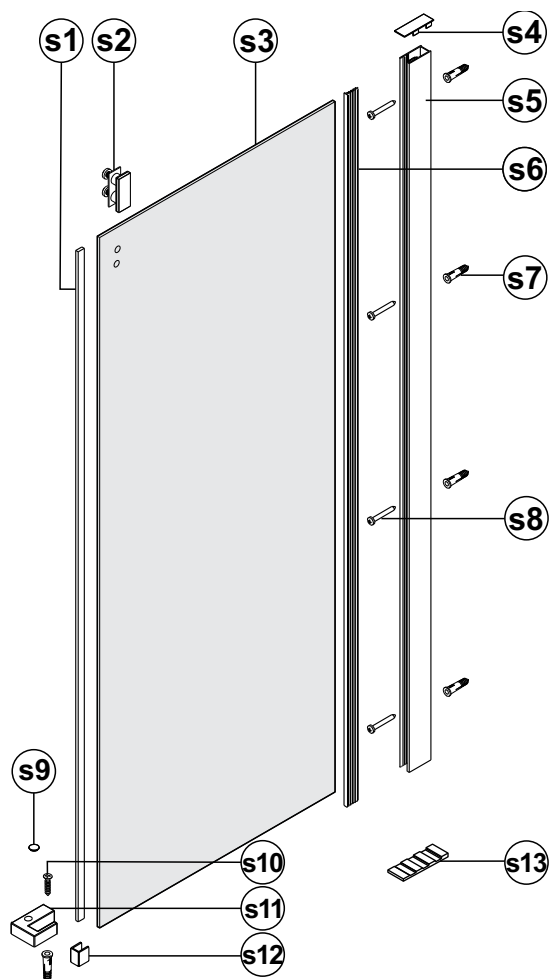
SHOWER SCREEN PARTS LIST



NO.	QTY	DESCRIPTION
1	1	Channel Cap
2	1	Wall Channel
3	1	Wall Channel Gasket
4	1	Front Panel Glass
5	11	Wall Anchor
6	1	Hinge Side Door Gasket (1918mm)
7	1	Hinge Side Door Gasket (1912mm)
8	10	Phillips Head Screw ST4x40
9	1	Rail
10	1	Door Glass
11	1	Handle
12	1	Wall bracket base

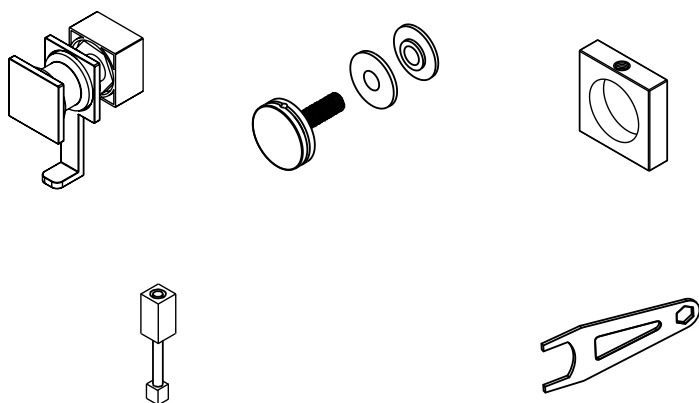
NO.	QTY	DESCRIPTION
13	1	Magnet profile
14	1	Magnetic Door Seal (1988mm)
15	1	Magnetic Door Seal (2000mm)
16	1	Cap L/R
17	1	Countersunk Philip head screw
18	1	Guide L/R
19	1	Gasket
20	1	Long Drip Strip
21	1	Threshold
22	1	Squeeze gasket tool
23	2	Glass Wedge spacer
24	1	Allan key kit 2.5mm/3mm

RETURN PANEL PARTS LIST



NO.	QTY	DESCRIPTION
s1	1	Magnet strip
s2	1	Chrome kit for bar
s3	1	Side Panel Glass
s4	1	Channel Cap
s5	1	Wall Channel
s6	1	Wall Channel Gasket
s7	5	Wall Anchor
s8	4	Phillips Head Screw ST4x40
s9	2	Screw cap
s10	1	Countersunk Philip head screw
s11	1	90° Bottom Clamp L/R
s12	1	Gasket
s13	2	Glass Wedge spacer

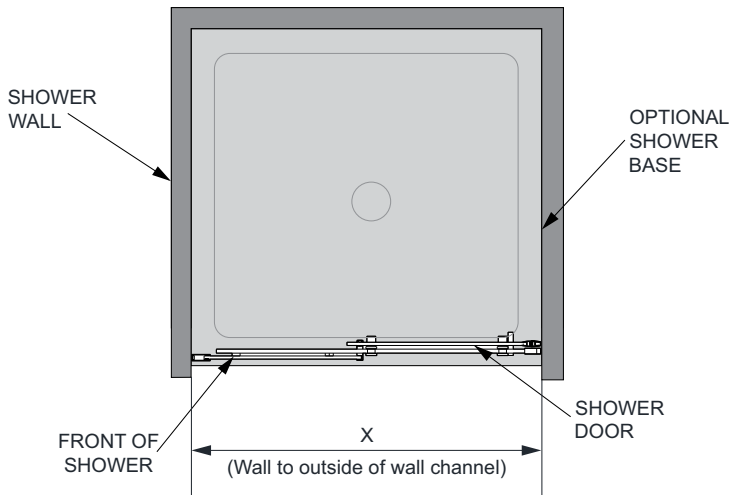
SQUARE ROLLER PARTS LIST



NO.	QTY	DESCRIPTION
a1	2	Roller
a2	2	Fixing plate
a3	2	Fixing plate cap
a4	1	Roller bumper
a5	2	Roller wrench tool

DETERMINING WALL CHANNEL LOCATION

When commencing step 1 on the following page, please refer to this drawing and the tabulated dimensions for your size of system to assist in the correct location of the wall channels.

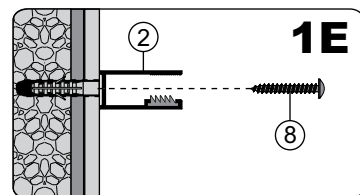
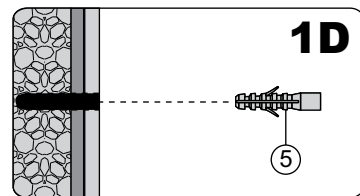
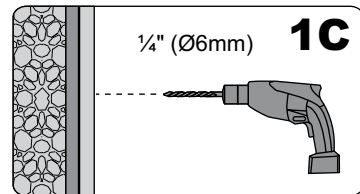
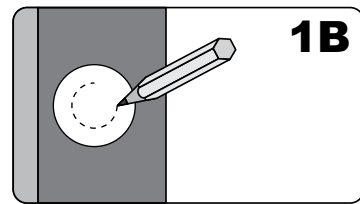
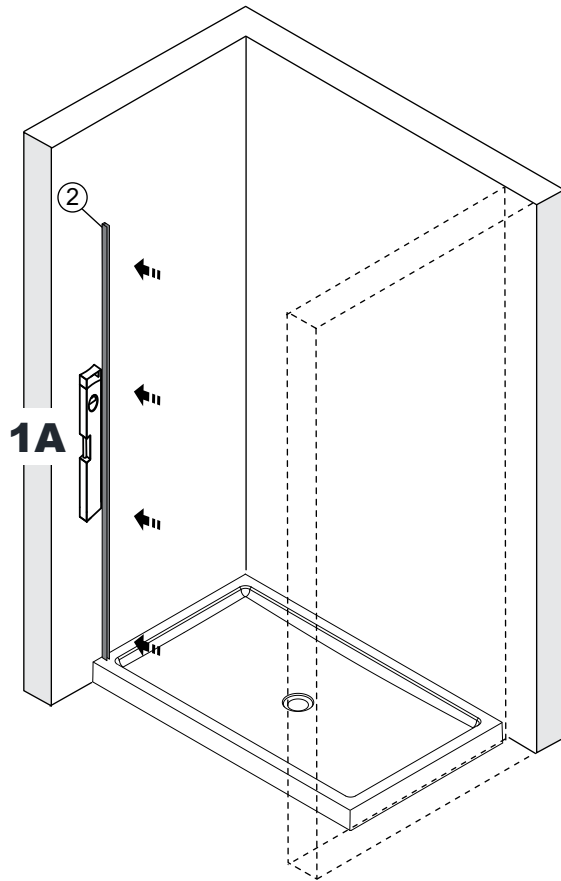


SIZE	X
1200	1154-1178

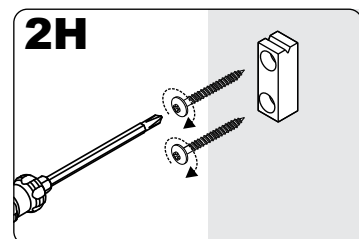
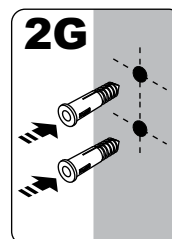
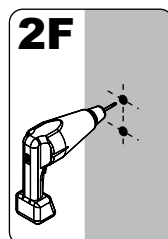
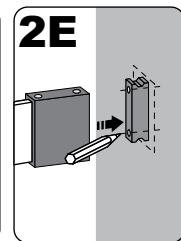
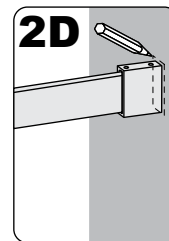
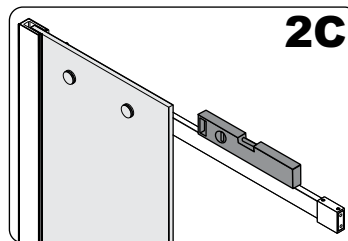
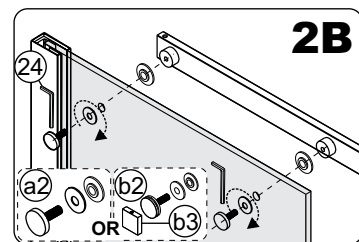
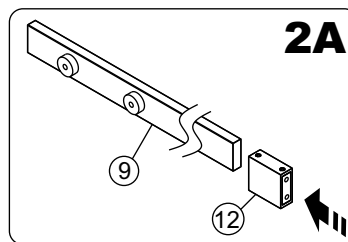
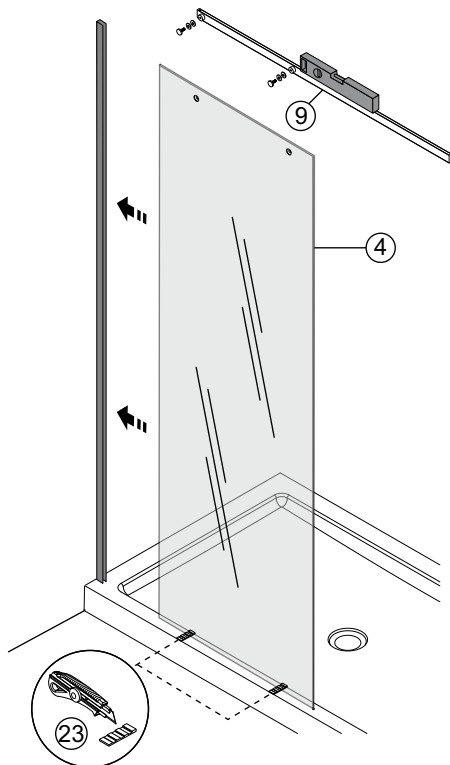
- Locate the size of your shower screen in column 1 and use the value for X and Y on the same line to find the distance from the shower wall to the outside edge of the wall channels. If a shower base is fitted, do not measure from the edge of the shower base to determine the position of the wall channel.
- If your wall and shower base are not at right angles the glass will not push fully into the wall channel at the top or bottom. This misalignment is acceptable if not exceeding 15mm, however the overall shower size will then increase by the amount of this misalignment.
- If the screen footprint does not turn out square while the aluminium braces are being installed (step 3), the glass can be pulled out from the full depth of the channel by up to 15mm to assist in squaring.

SHOWER SCREEN INSTALLATION STEPS

STEP 1.

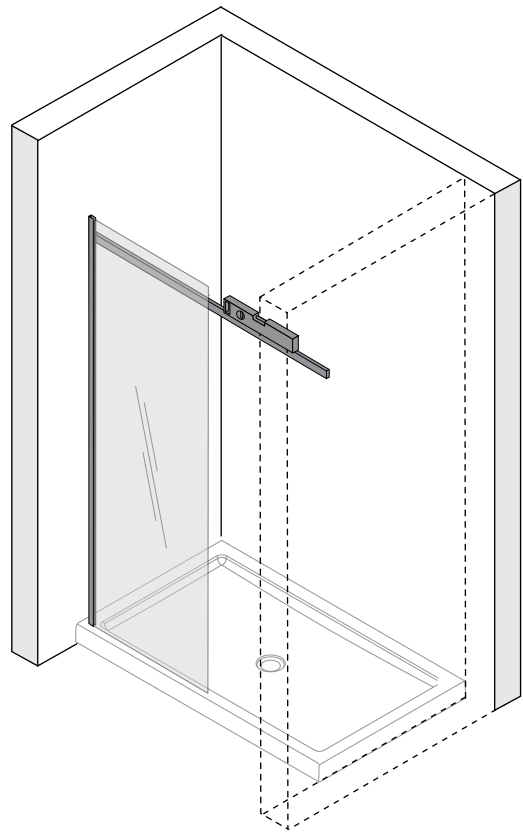
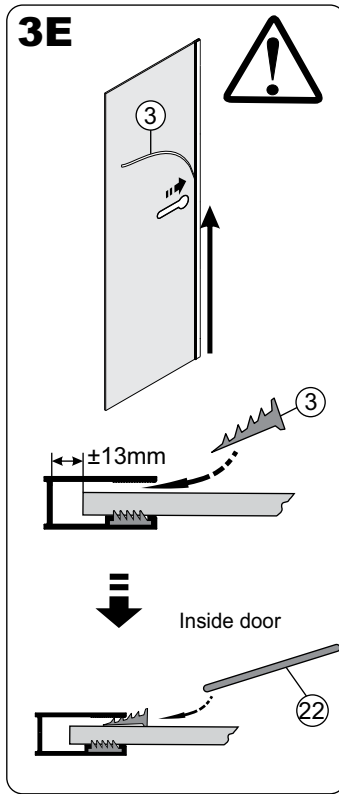
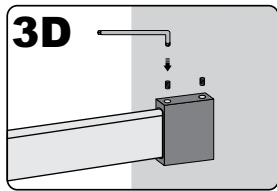
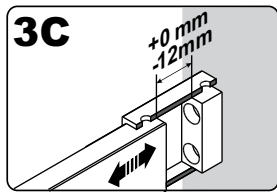
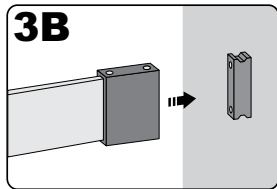
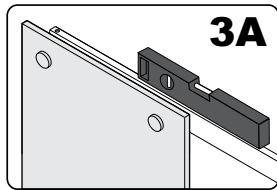


STEP 2.

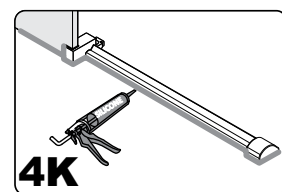
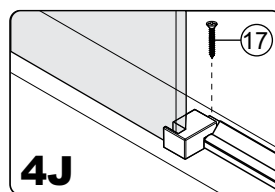
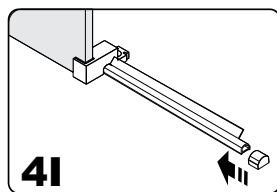
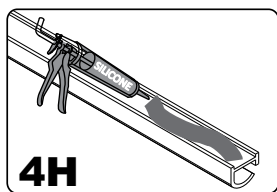
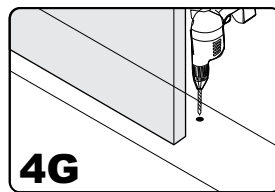
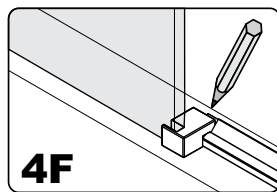
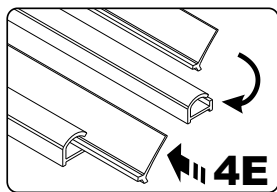
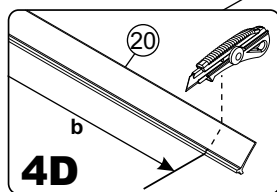
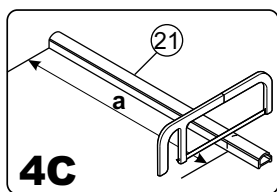
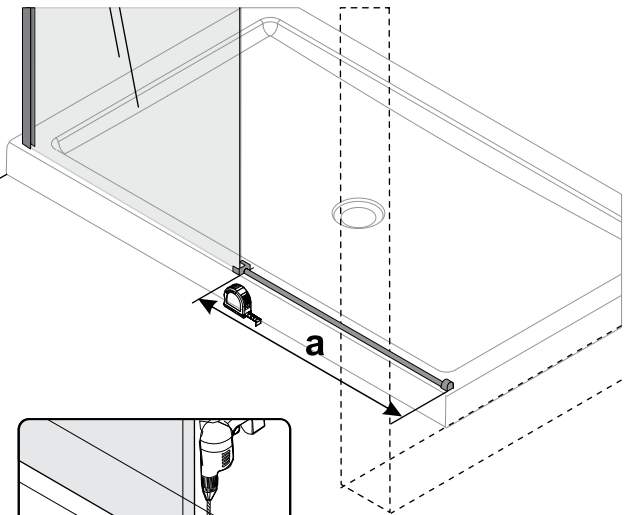
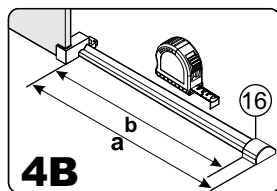
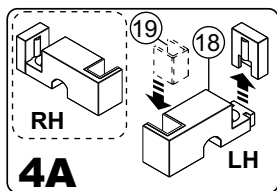


SHOWER SCREEN INSTALLATION STEPS

STEP 3

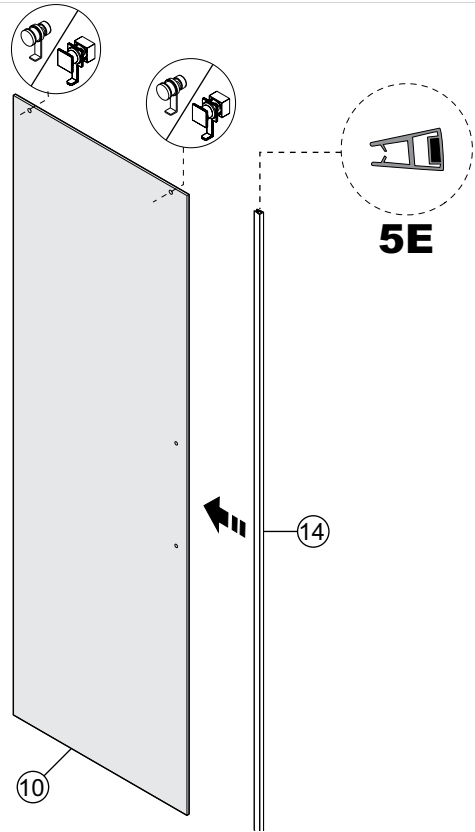
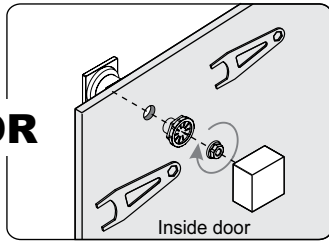
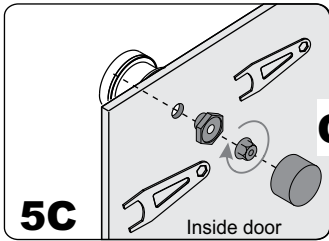
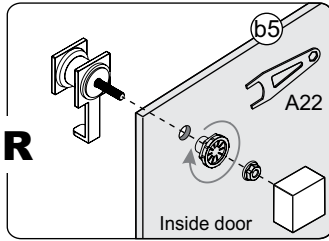
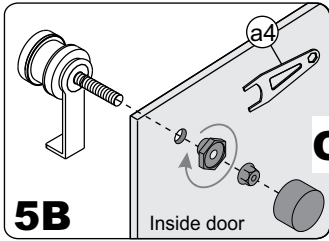
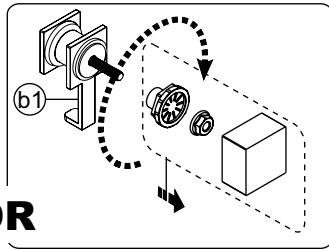
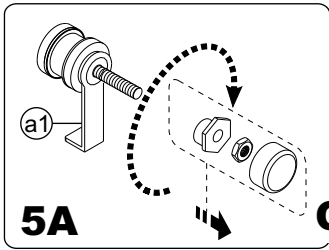


STEP 4

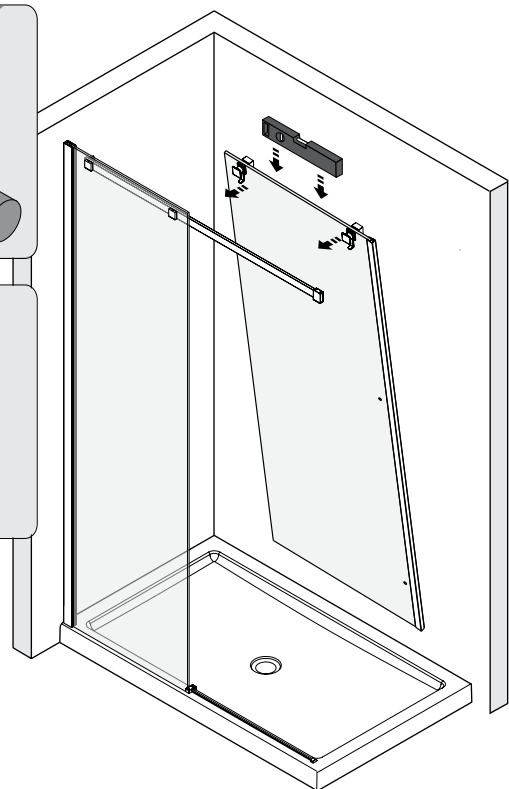
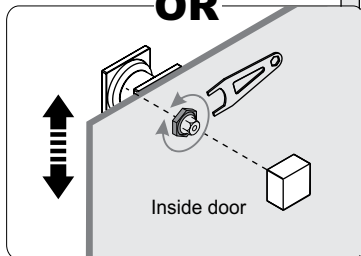
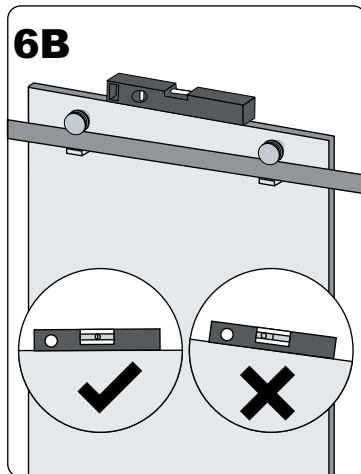
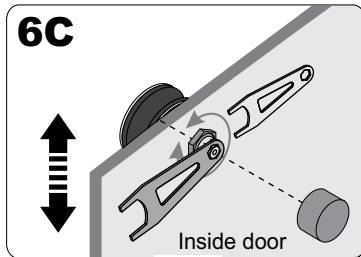
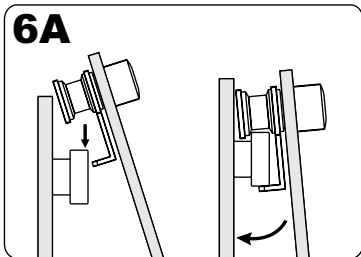


SHOWER SCREEN INSTALLATION STEPS

STEP 5

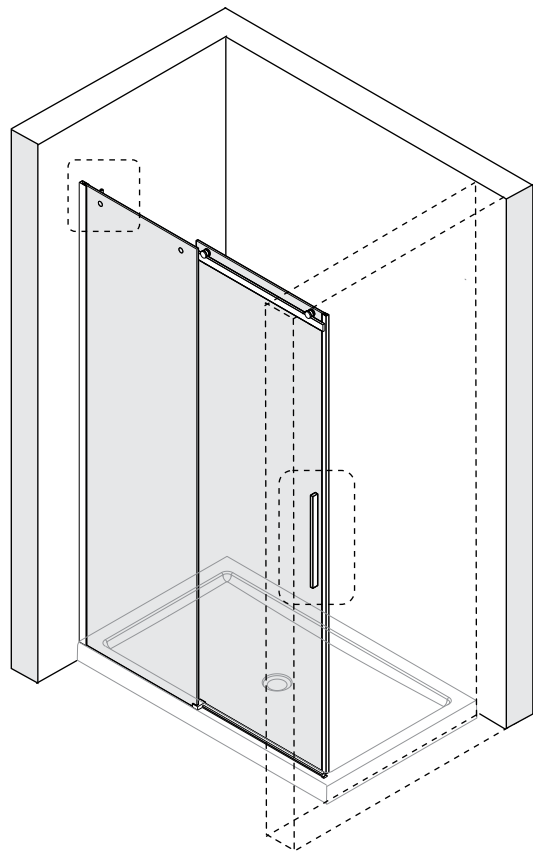
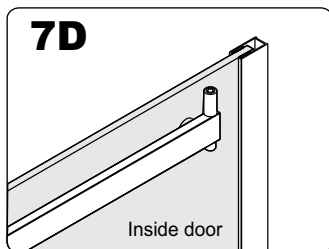
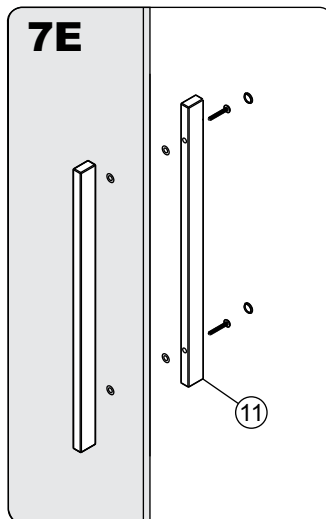
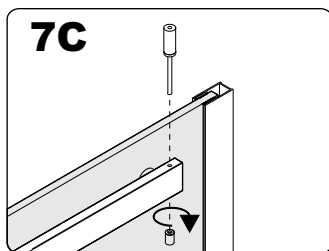
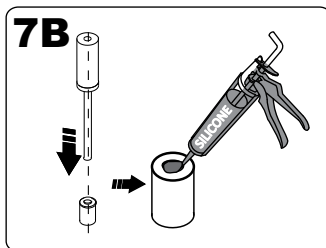
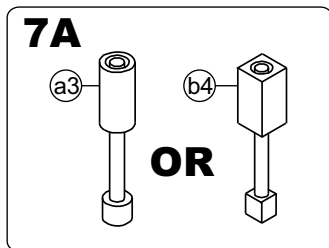


STEP 6

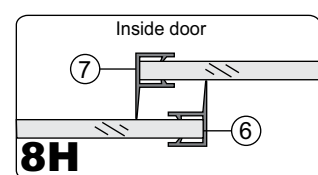
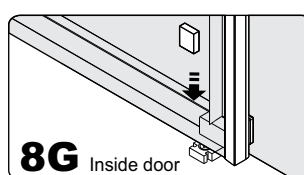
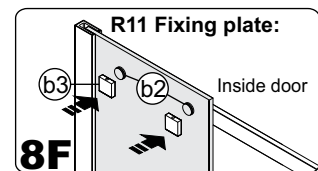
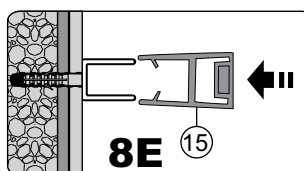
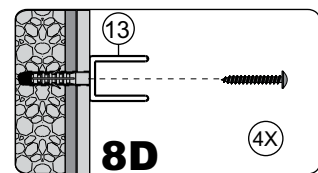
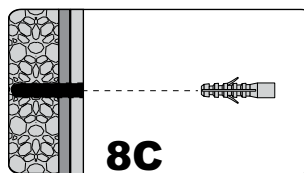
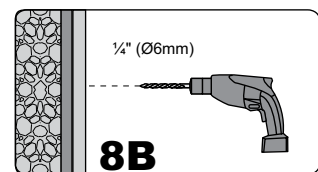
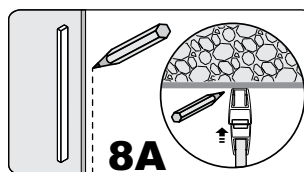
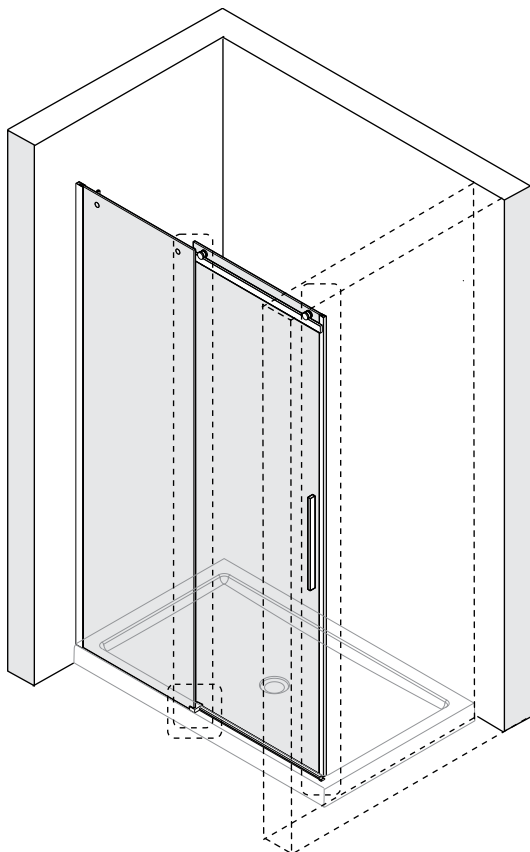


SHOWER SCREEN INSTALLATION STEPS

STEP 7



STEP 8



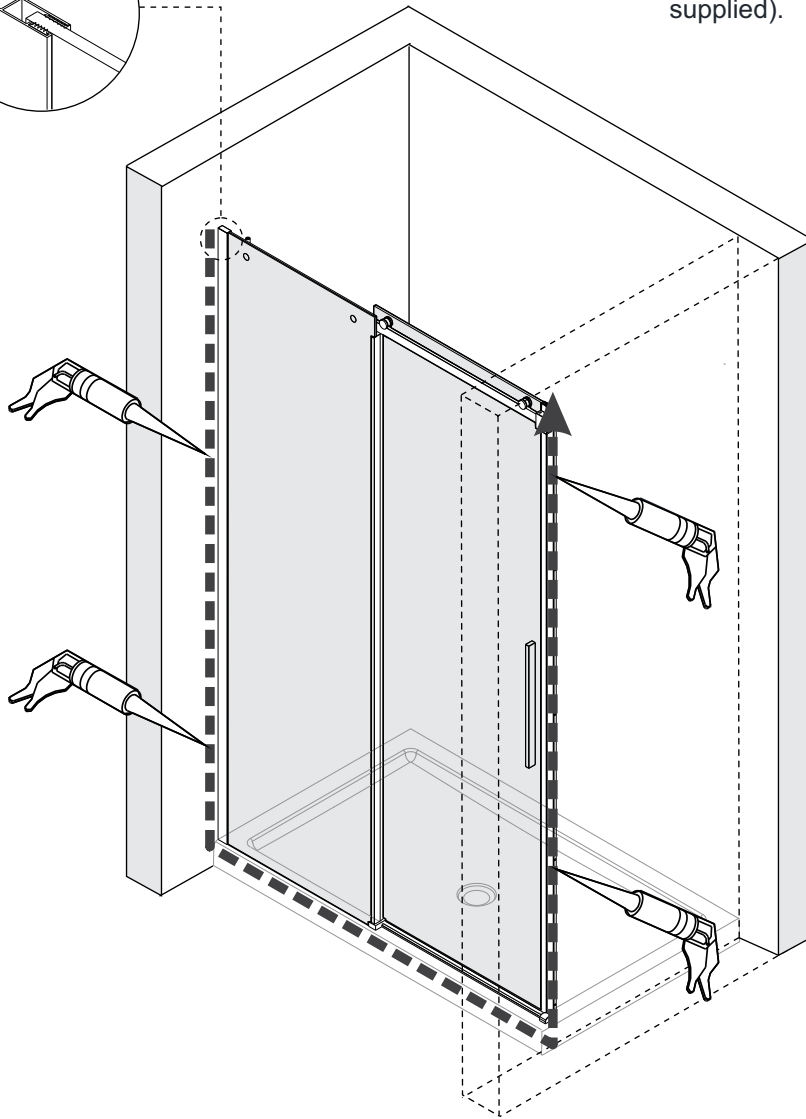
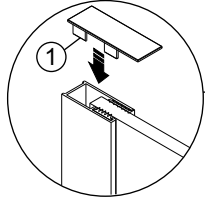
STEP 9



24 h

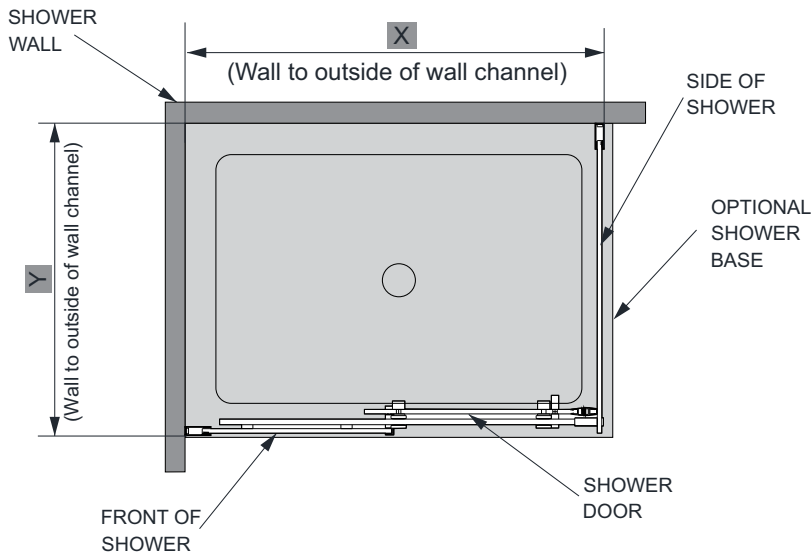


Silicone inside and outside of the shower (silicone not supplied).



DETERMINING WALL CHANNEL LOCATION

When commencing step 1 on the following page, please refer to this drawing and the tabulated dimensions for your size of system to assist in the correct location of the wall channels.

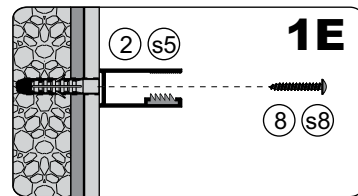
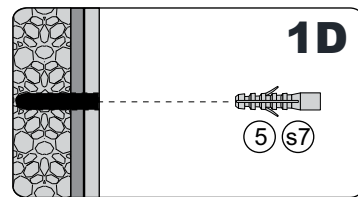
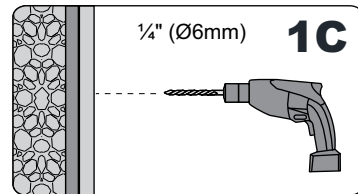
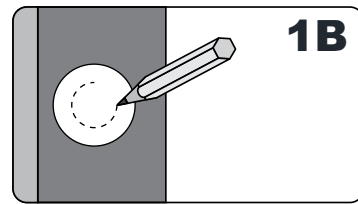
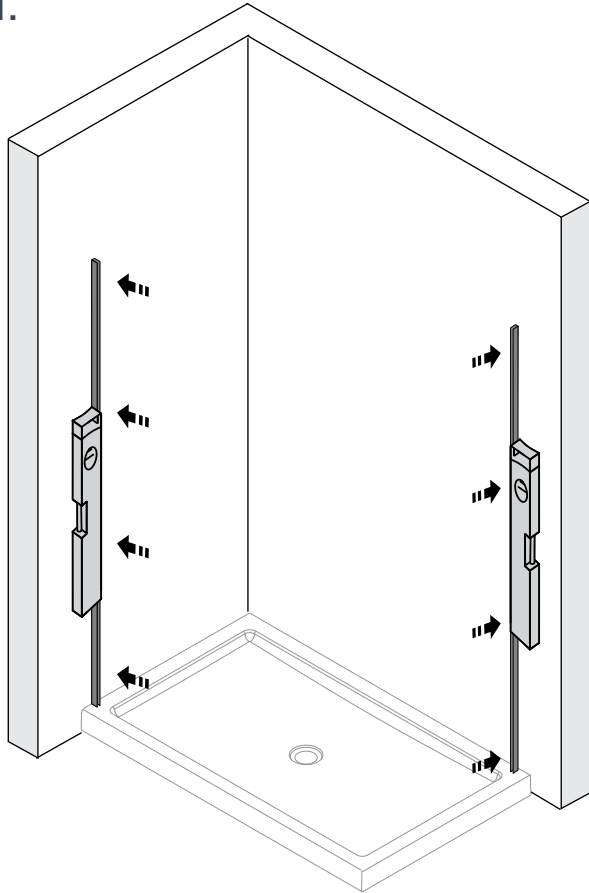


SIZE	X	Y
1200 x 900	1154-1178	854-878

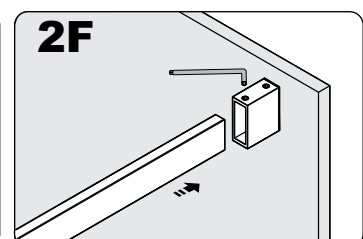
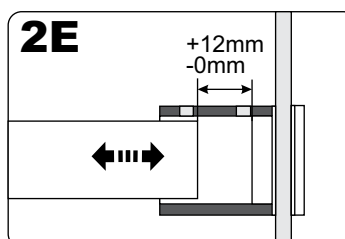
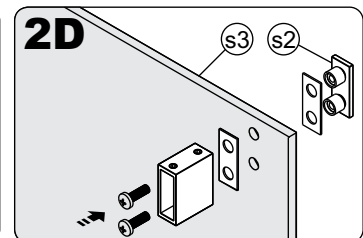
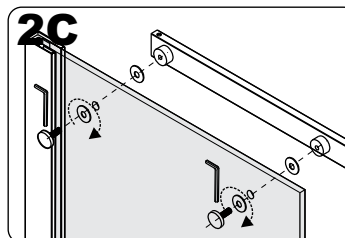
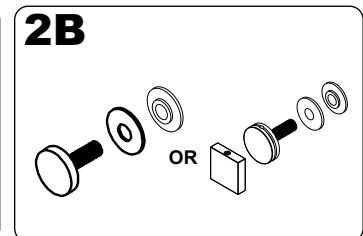
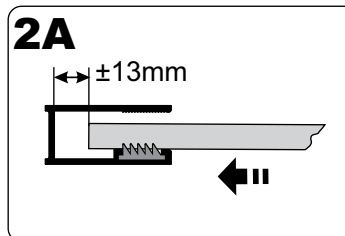
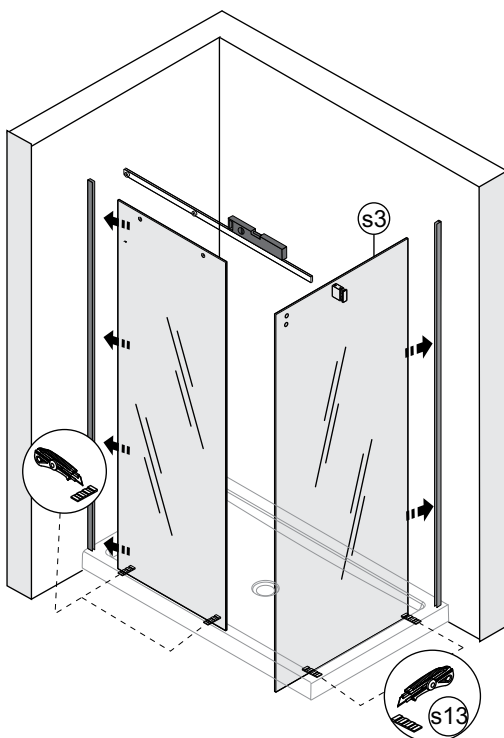
- Locate the size of your shower screen in column 1 and use the value for X and Y on the same line to find the distance from the shower wall to the outside edge of the wall channels. If a shower base is fitted, do not measure from the edge of the shower base to determine the position of the wall channel.
- If your wall and shower base are not at right angles the glass will not push fully into the wall channel at the top or bottom. This misalignment is acceptable if not exceeding 15mm, however the overall shower size will then increase by the amount of this misalignment.
- If the screen footprint does not turn out square while the aluminium braces are being installed (step 3), the glass can be pulled out from the full depth of the channel by up to 15mm to assist in squaring.

SHOWER SCREEN INSTALLATION STEPS

STEP 1.

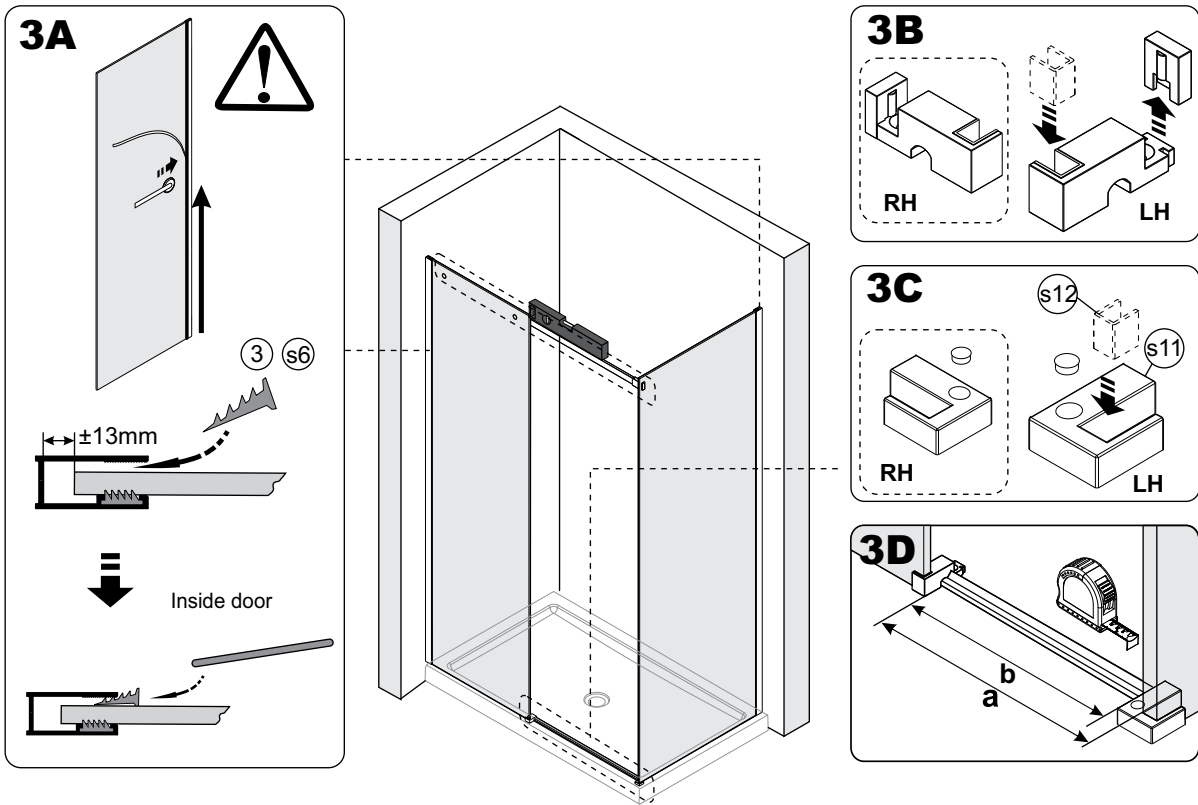


STEP 2.

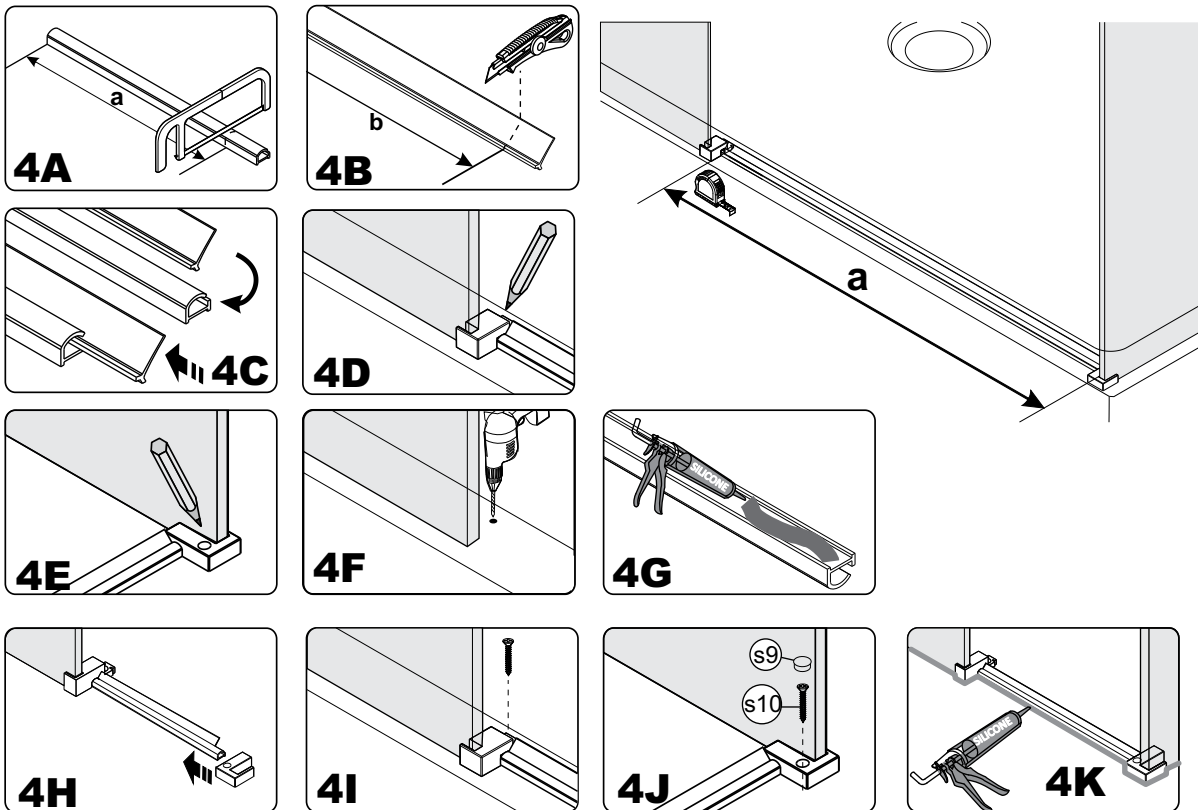


SHOWER SCREEN INSTALLATION STEPS

STEP 3

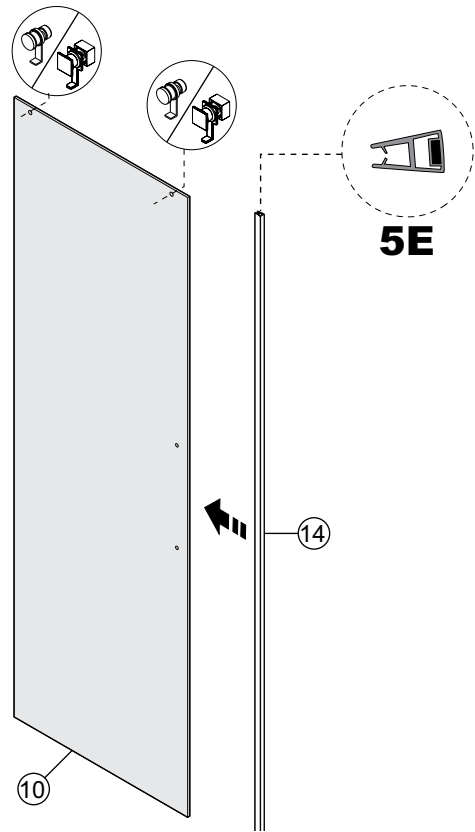
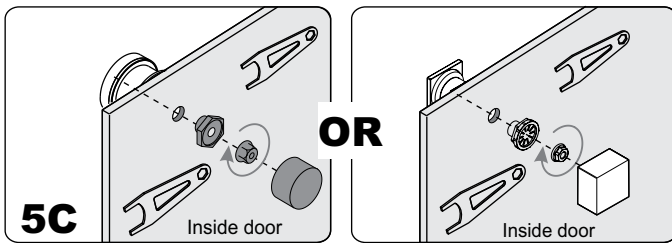
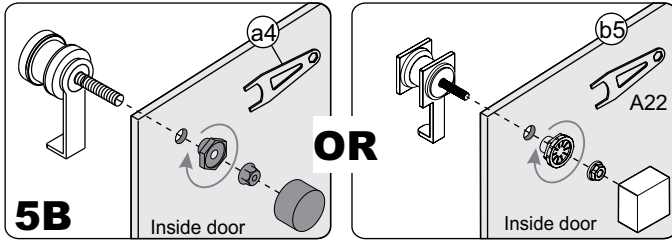
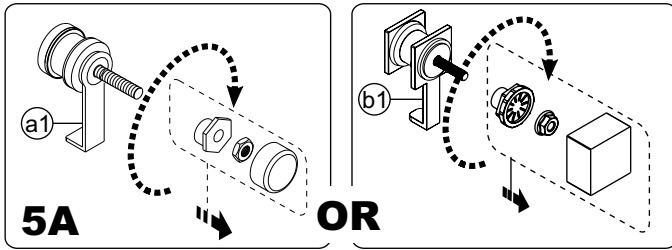


STEP 4

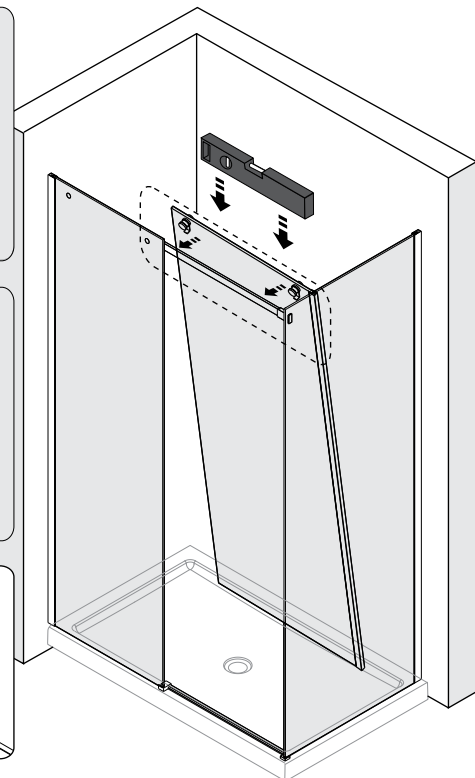
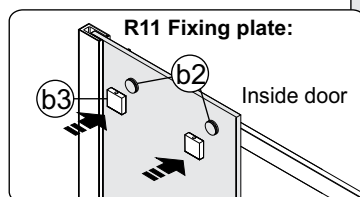
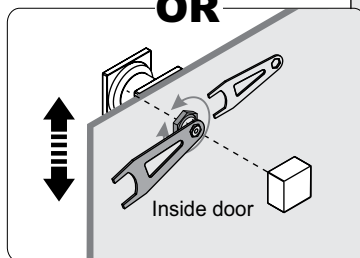
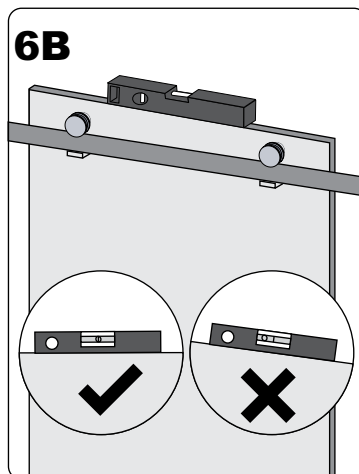
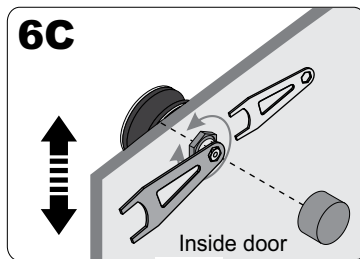
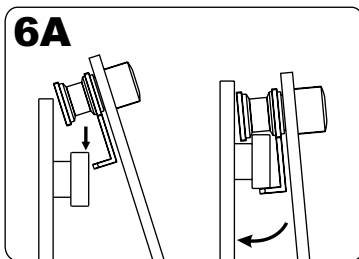


SHOWER SCREEN INSTALLATION STEPS

STEP 5

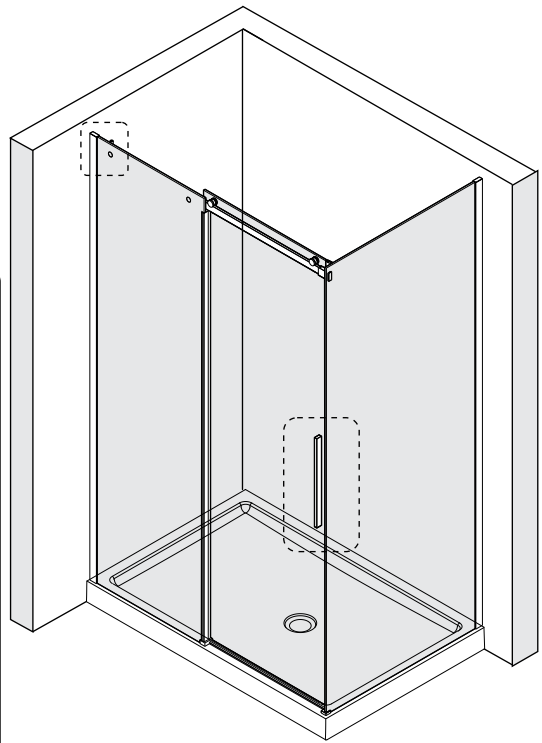
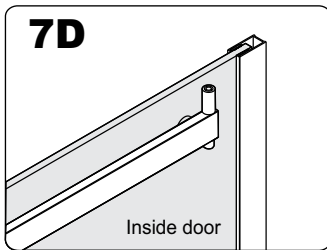
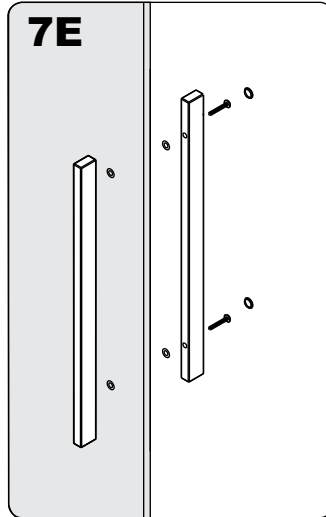
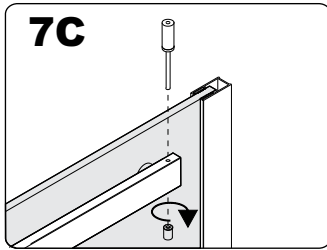
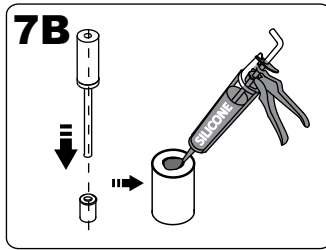
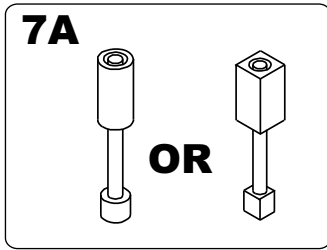


STEP 6

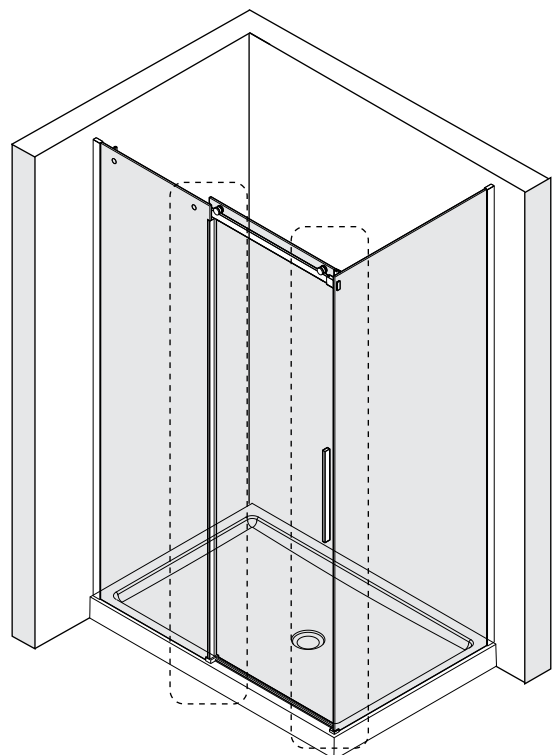
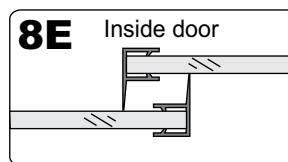
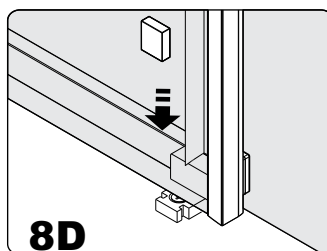
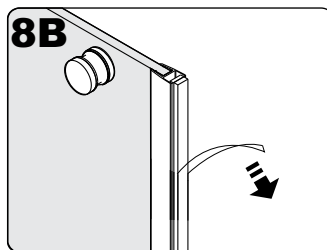
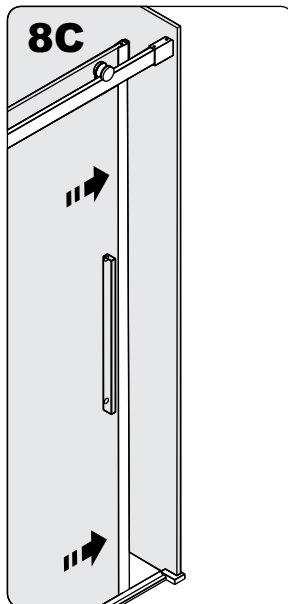
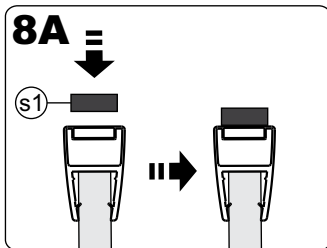


SHOWER SCREEN INSTALLATION STEPS

STEP 7



STEP 8



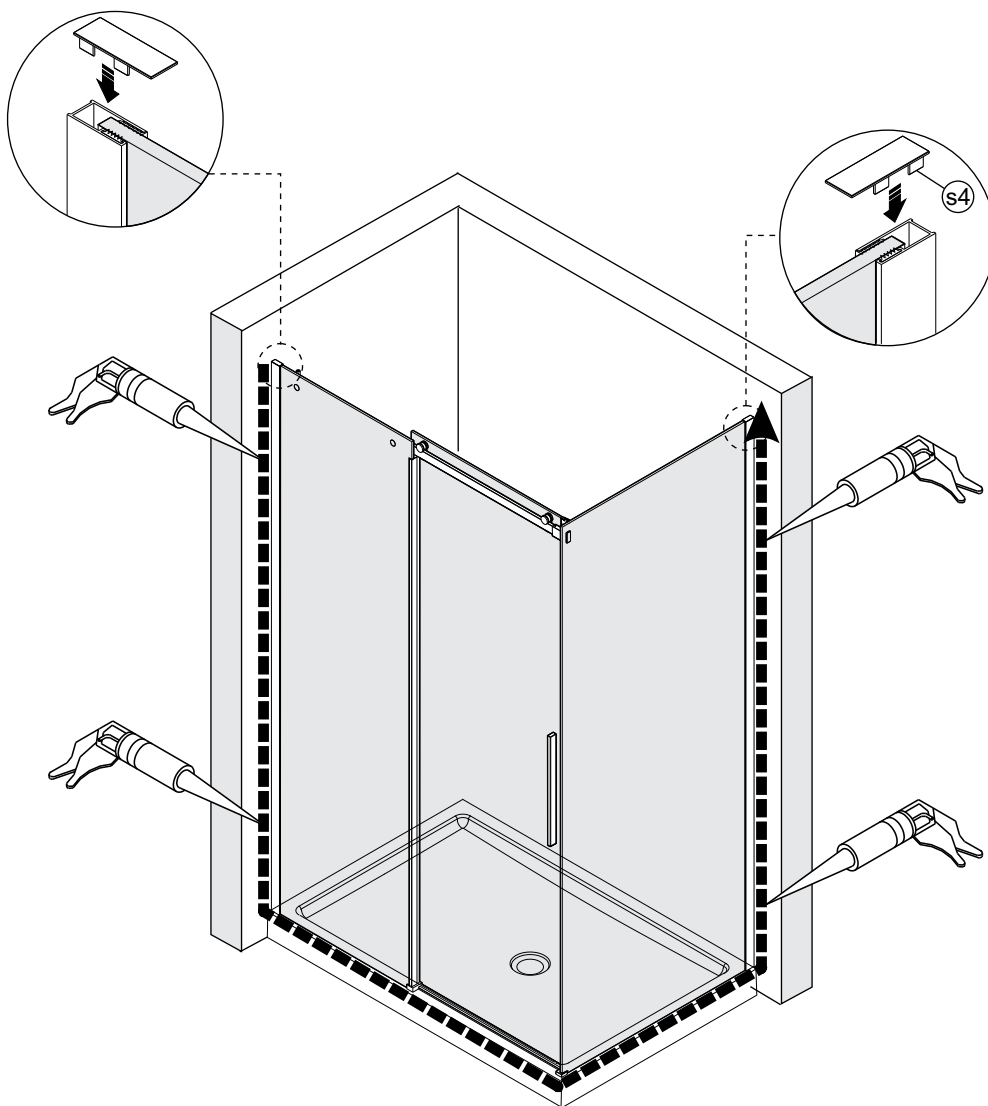
STEP 9



24 h



Silicone inside and outside of the shower (silicone not



MAINTENANCE

The use of harsh or abrasive cleaners will cause deterioration of the EZI Clean coating. If water alone is not enough to clean the glass, Decina recommends the use of mild detergent solutions only. Damage caused by any improper treatment is not covered by the product warranty- refer to Warranty Conditions.

WARRANTY TERMS & CONDITIONS

All Decina products are manufactured to the highest standards and guaranteed to be free of defects, subject to the conditions outlined below. In addition to the statutory rights given under Australian Consumer Law, Decina offers the following extended warranty periods from the date of purchase or handover:

PRODUCT	WARRANTY	TERMS
AVALON Frameless Shower Screen	5 YEARS	Replacement Products or Parts

The Decina warranty is only applicable when the product has been installed by a qualified tradesman, in full accordance with the installation instructions and statutory requirements. The warranty specifically EXCLUDES damages discovered AFTER installation. Decina's responsibility for claims relating to impact damage ceases within 48 hours after delivery to the Decina re-seller's store. The extended warranties only apply to faults or defects in the product arisen solely from faulty materials or workmanship in the products and does not apply to other defects for example from; damage, abuse, neglect or changes to the product supplied.

The warranty only extends to the supply of a replacement product or credit to the value of the purchase and excludes consequential damage ensuing from the product application or use. The responsibility for the removal and replacement of the product is with the installer and/or owner. Where the manufacturer "Decina" accepts that the product is at fault, the maximum contribution to the removal and replacement costs will be \$500.

Repairs of the Products other than by a Decina accredited or licensed service agent or technician are not covered.

In addition to this extended warranty, certain legislation (including the ACL) may give you certain rights which cannot be excluded, restricted or modified, this extended warranty must be read subject to such legislation and nothing in this warranty has the effect of excluding, restricting or modifying those rights.

To make a warranty claim, please visit the Decina website decina.com.au/warranty-claim/ or email services@decina.com.au and attach the following documentation:

- Proof of purchase (original invoice from the supplier)
- Details of the warranty claim including the date of installation, installer's details and head contractors
- Your contact details

If the Product has not been installed, please contact Decina to inspect the Product. If the claim is accepted, the Product can be returned or exchanged. Note: The extended warranty only applies to the original owner and is not transferable. Decina reserves the right to charge a service fee for any staff called to attend premises where products have been installed and the warranty claim is not authorised.

Copyright Oct 2019. Decina Bathroomware Pty Ltd. ABN 39845 084 033

PLEASE LEAVE THIS MANUAL WITH THE END USER

DECINA
DISCOVER INDULGENCE

DECINA.COM.AU 1300 DECINA   

*Warranty T&Cs apply. All dimensions are nominal & subject to manufacturing tolerances & may vary +/-5mm therefore we strongly recommend installation does not occur until after delivery. Decina reserves the right to modify or change models without notice. Please confirm all particulars with your sales consultant prior to purchase. For further information and for warranty T&C's, please visit decina.com.au