

Novara Wall Basin

Product Code: **NOBWMW550**



The modern Novara basin, designed to be mounted to a wall, incorporates a functional bowl surround with smooth rounded contours for easy cleaning. This medium sized basin can also be combined with a shroud. Wall installation kit, chrome pop-up plug and waste included.

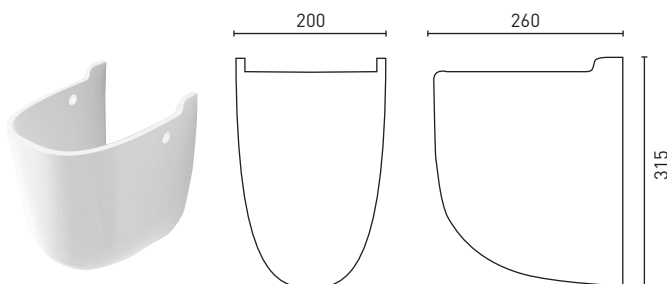
- AS/NZ Standard AS1172.4.2019
- Wall basin basin
- Pop up waste included - chrome
- Installation kit included

PRODUCT SPECIFICATIONS

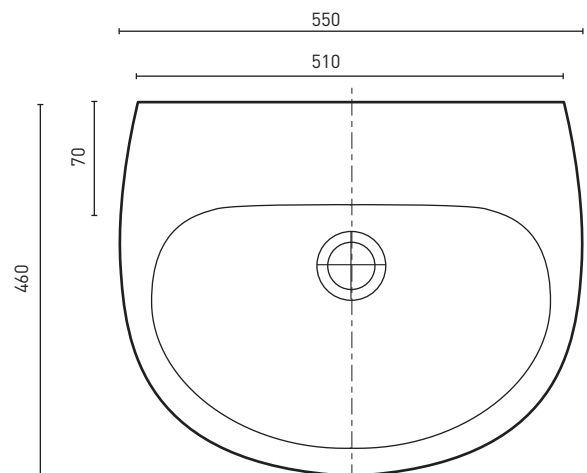
Colour:	High gloss white
Material:	Superior vitreous china
Length:	550mm
Width:	460mm
Height:	220mm
Capacity:	10L
Basin Type:	Vanity inset
Net Weight:	16.7kg
Warranty:	10 years* (refer to decina.com.au)

OPTIONAL ACCESSORIES

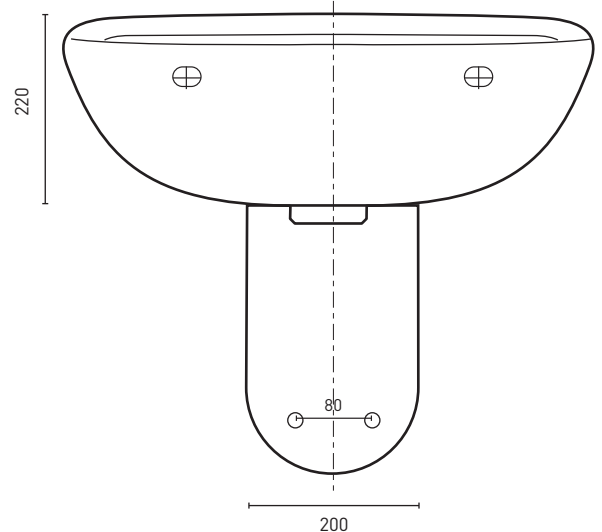
- Novara Shroud **SHR550**
- 32mm pop-up basin waste - chrome **WA004**
- 32 X 40mm Quattro pop-up basin waste - chrome **WA005**
- 32mm pop-up basin waste - gloss white **WA006**



TOP VIEW



BACK VIEW



DECINA
DISCOVER INDULGENCE

DECINA.COM.AU 1300 DECINA   

*Warranty T&Cs apply, visit decina.com.au Decina reserves the right to change specifications without notice. Due to manufacturing tolerances dimensions may vary +/- 5mm. We recommend installation does not start until after delivery. Please confirm all particulars prior to purchase, call 1300 DECINA or visit decina.com.au