

Carina Semi-Inset Square Basin



Product Code: **CABSI4W**

The Carina semi-inset basin is designed to be partially installed into a vanity or counter top. An overflow hole is included in this sleek design.

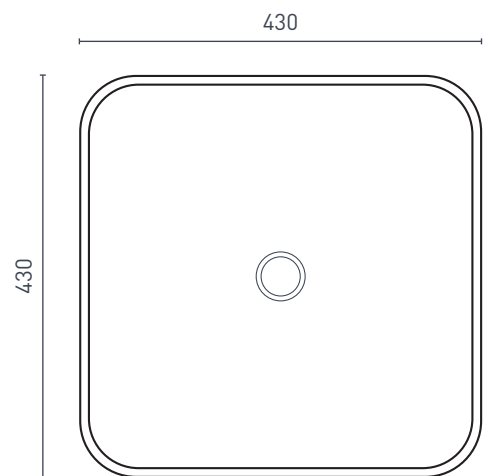
- AS/NZ Standard AS1172.4.2019
- Semi-inset basin
- Overflow



PRODUCT SPECIFICATIONS

Colour:	High gloss white
Material:	Superior vitreous china
Length:	430mm
Width:	430mm
Height:	175mm
Capacity:	5.2L
Basin Type:	Semi-inset
Net Weight:	10kg
Warranty:	10 years* (refer to decina.com.au)

TOP VIEW



SIDE VIEW



OPTIONAL ACCESSORIES

- 40 X 32mm Quattro pop-up basin waste - chrome **WA005**

DECINA
DISCOVER INDULGENCE

DECINA.COM.AU 1300 DECINA



*Warranty T&Cs apply, visit decina.com.au Decina reserves the right to change specifications without notice. Due to manufacturing tolerances dimensions may vary +/- 5mm. We recommend installation does not start until after delivery. Please confirm all particulars prior to purchase, call 1300 DECINA or visit decina.com.au