

Caval Semi-Inset Round Basin with taphole & overflow



Product Code: **CABSI47W**

The Caval round semi-inset basin features a thin edge & is designed to be partially installed into a vanity or counter top. Combine with a basin mixer mounted on top of the basin which saves on counter top space & makes it easier to clean. An overflow hole is at the rear of the basin.

- AS/NZ Standard AS1172.4.2019
- Semi-inset
- Taphole
- Overflow
- Thin edge



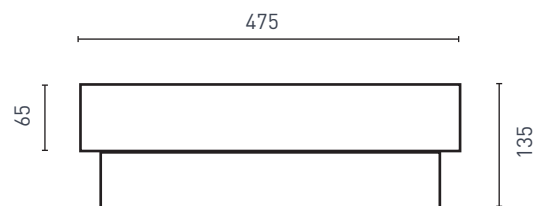
PRODUCT SPECIFICATIONS

Colour:	High gloss white
Material:	Superior vitreous china
Length:	475mm
Width:	475mm
Height:	135mm
Capacity:	6L
Basin Type:	Semi-inset
Net Weight:	10kg
Warranty:	10 years* (refer to decina.com.au)

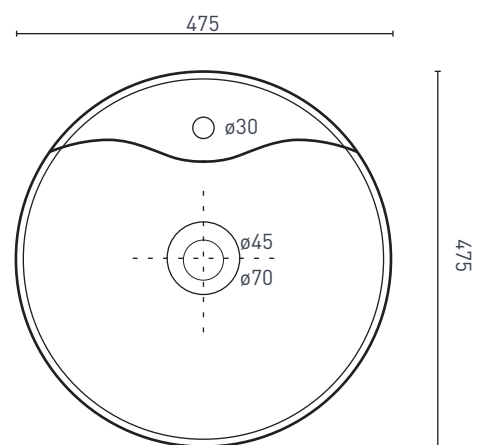
OPTIONAL ACCESSORIES

- 40 X 32mm Quattro pop-up basin waste - chrome **WA005**
- Overflow ring - PVV chrome **WA010**,
brass matte black **WA011**

FRONT VIEW



TOP VIEW



DECINA
DISCOVER INDULGENCE

[DECINA.COM.AU](https://decina.com.au) 1300 DECINA

*Warranty T&Cs apply, visit decina.com.au Decina reserves the right to change specifications without notice. Due to manufacturing tolerances dimensions may vary +/- 5mm. We recommend installation does not start until after delivery. Please confirm all particulars prior to purchase, call 1300 DECINA or visit decina.com.au