

Caval Counter Top Round Basin



Product Code: **CABCT4W**

The Caval counter top basin, features thin clean round lines with a generous capacity. It is designed to be mounted above the bench top. Combine it with a basin mixer in the tap hole. A practical, modern design with thin rim enables easy installation and incorporates an overflow.

- AS/NZ Standard AS1172.4.2019
- Counter top basin
- Taphole
- Overflow

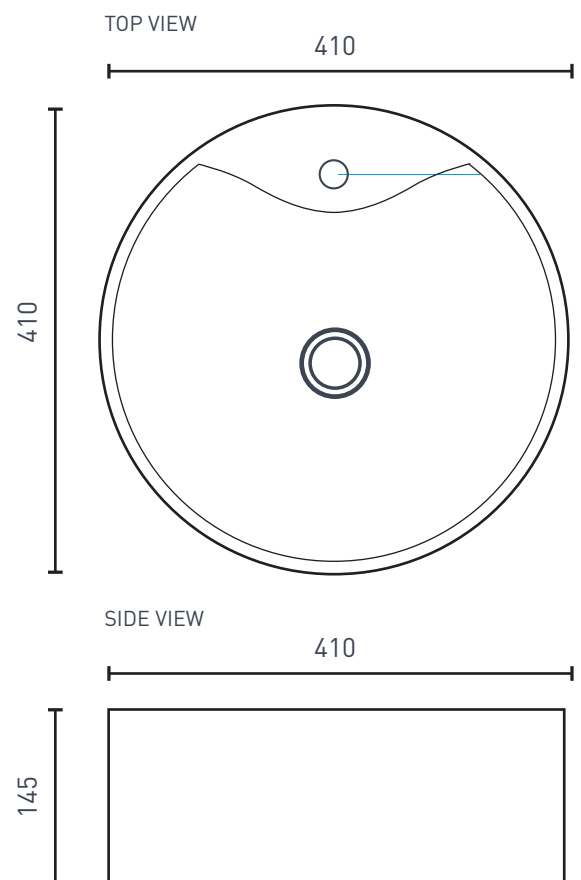


PRODUCT SPECIFICATIONS

Colour:	High gloss white
Material:	Superior vitreous china
Length:	410mm
Width:	410mm
Height:	145mm
Capacity:	7.5L
Basin Type:	Counter top
Warranty:	10 years* (refer to decina.com.au)

OPTIONAL ACCESSORIES

- 40 X 32mm Quattro pop-up basin waste - chrome **WA005**
- Overflow ring - PVV chrome **WA010**, brass matte black **WA011**



DECINA
DISCOVER INDULGENCE

DECINA.COM.AU 1300 DECINA

*Warranty T&Cs apply, visit decina.com.au Decina reserves the right to change specifications without notice. Due to manufacturing tolerances dimensions may vary +/- 5mm. We recommend installation does not start until after delivery. Please confirm all particulars prior to purchase, call 1300 DECINA or visit decina.com.au