

Aria Inset Bath with tile bead

Product Code: **AR1525W / AR1675W**

 **MADE IN AUSTRALIA**



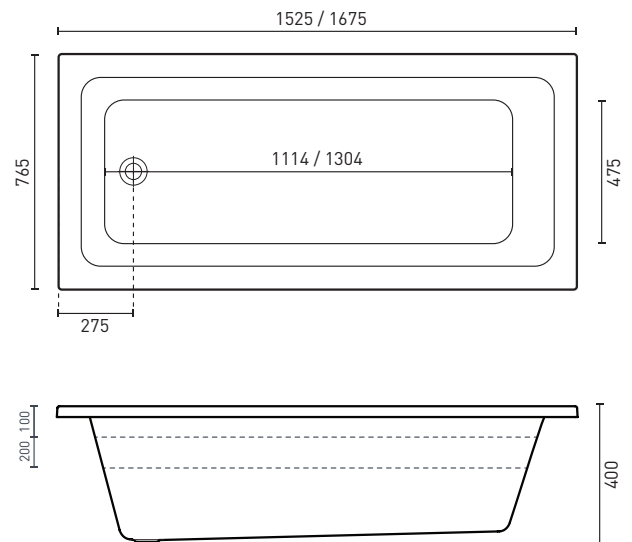
The Aria's classic design features steep sides for maximum internal space & a tile bead which allows it to be integrated flush into a tiled wall and finished with a water tight seal.

- AS/NZ Standard 2023/1995
- Steel rod reinforced rim
- Double reinforced bath base



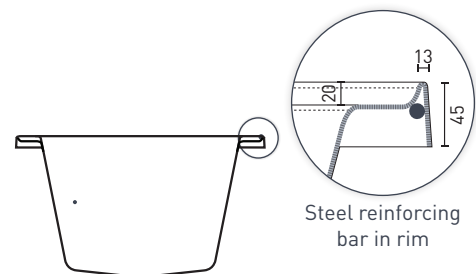
PRODUCT SPECIFICATIONS

| | |
|------------------------|---|
| Colour: | High Gloss White |
| Material: | Premium Sanitary grade acrylic |
| Length: | 1525mm / 1675mm |
| Width: | 765mm |
| Height: | 400mm |
| Capacity: | 138L / 156L [200mm below the bath rim] |
| Bath Type: | Inset |
| Waste Position: | End |
| Net Weight: | 20.6kg / 21.1kg |
| Warranty: | 15 years* (refer to decina.com.au) |



OPTIONAL ACCESSORIES

- 40mm Removable pop-up waste *Chrome* **WA001**
White Gloss **WA002**, *Black Matte* **WA003**
- Pop-up waste & overflow kit *Chrome* **OWA001**
- Pop-down waste & overflow kit *Chrome* **OWA002**
- Pop-down waste & overflow kit *Black* **OWA003**
- Sia headrest *Black Curved* **SY242-B**
- EZI Frame / Base Support Frame **Various**



Steel reinforcing bar in rim

DECINA
DISCOVER INDULGENCE

[DECINA.COM.AU](https://decina.com.au) 1300 DECINA   

*Warranty T&Cs apply, visit decina.com.au Decina reserves the right to change specifications without notice. Due to manufacturing tolerances dimensions may vary +/- 5mm. We recommend installation does not start until after delivery. Please confirm all particulars prior to purchase, call 1300 DECINA or visit decina.com.au