

Elisi Freestanding Bath

Product Code: **EI1700W**



[refer to decina.com.au]

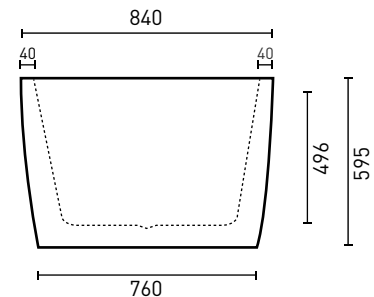
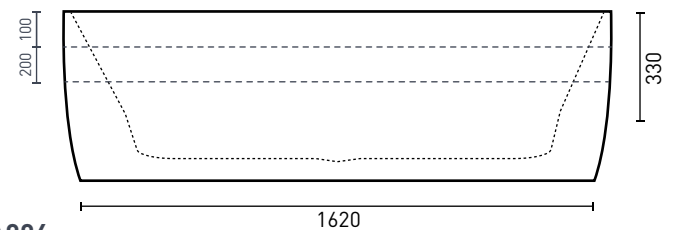
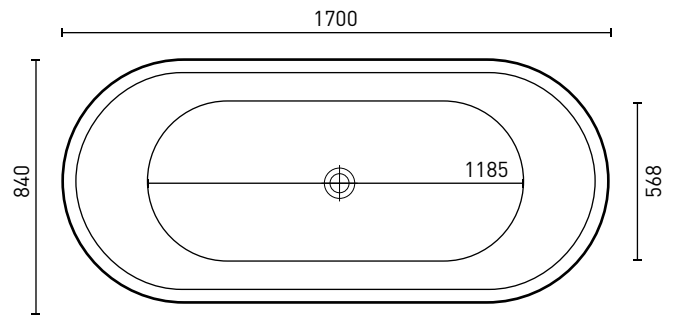
This freestanding bath is the ultimate in luxury bathing. Simple to install with adjustable self supporting feet, no additional hob or framing is required. Generous depth, a centre waste and reclining areas make this design perfect for dual bathing.

- Australian Standard 1172.5:2019
- Adjustable self-supporting feet
- Suitable for dual bathing
- Lumbar support



PRODUCT SPECIFICATIONS

Colour:	High gloss white
Material:	Premium sanitary grade acrylic
Length:	1700mm
Width:	840mm
Height:	595mm
Capacity:	195L [200mm below the bath rim]
Bath Type:	Freestanding bath
Waste Position:	Centre
Net Weight:	60kg
Warranty:	10 years* [refer to decina.com.au]



OPTIONAL ACCESSORIES

- 40mm Removable Pop-up Waste *Chrome* **WA001**
White Gloss **WA002**, *Black Matte* **WA003**
- Flexible Bath Connector with Pop-up Waste *Chrome* **OWA004**
- Flexible Bath Connector *Cap & Lining only* **OWA005**
- Sia Headrest *Black Curved* **SY242-B**

DECINA
DISCOVER INDULGENCE

[DECINA.COM.AU](https://decina.com.au) 1300 DECINA   

*Warranty T&Cs apply, visit decina.com.au Decina reserves the right to change specifications without notice. Due to manufacturing tolerances dimensions may vary +/- 5mm. We recommend installation does not start until after delivery. Please confirm all particulars prior to purchase, call 1300 DECINA or visit decina.com.au