

RENEE

RIMLESS WALL FACED TOILET PAN WITH R&T IN-WALL CISTERN & BUTTONS - Premium Vitreous China, High Gloss White

The Renee's sleek, rimless wall faced pan, sits flush against the wall & is fixed to the floor. The innovative in-wall cistern can be concealed in a wall cavity of just 92mm or a vanity unit, for a fully integrated installation. Easy to clean & space saving, this seamless design is perfect for an ultra-modern bathroom.

- Soft close, quick release seat/lid
- Hygienic rimless toilet bowl

- Cyclone Flush

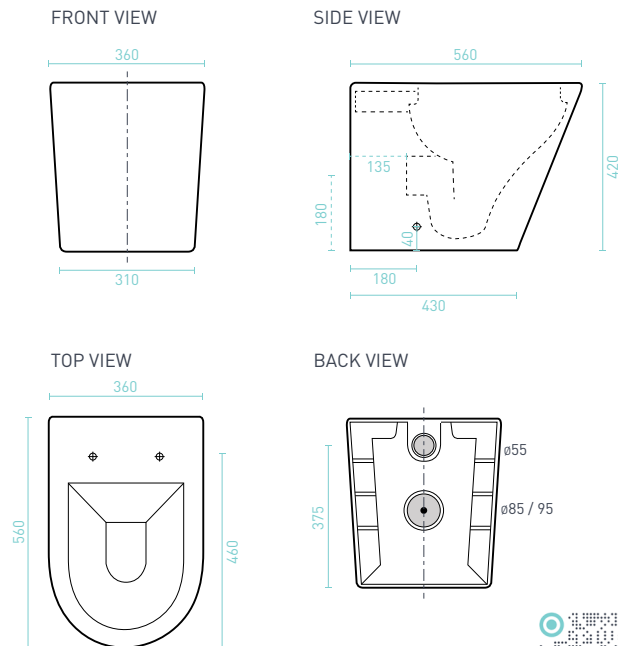
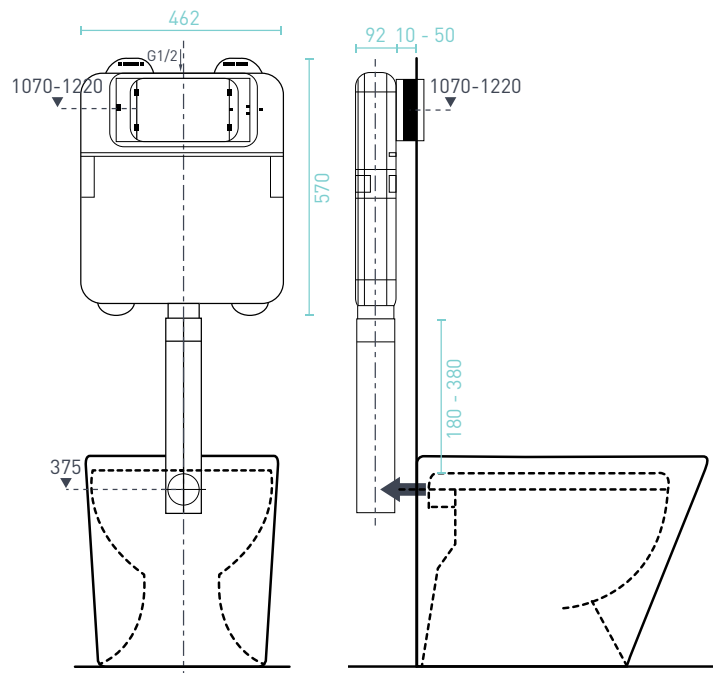
- Nano Glaze



- **10 YR WARRANTY**
- cistern & pan
- **1 YR WARRANTY**
- seat/lid & valves
- Includes Renee rimless wall faced toilet pan with seat, lid, floor mounting screws & concealed in-wall cistern
- Combine with your choice of flush plate & buttons
- Suitable for installation into a 92mm wall cavity
- Universal S or P-trap applications
- S-Trap setout 60-90mm
- Operating pressure 10-1300kPa



SIZE (p) x (w) x (h) mm	AS1172	WELS 4 STAR	RENEE WALL FACED PAN, IN WALL CISTERN & BUTTONS CODE
560 x 360 x 420	AS1172	4.5/3L (3.3L avg. flush)	REWFSC Square Dual Button Flush Plate (<i>Chrome</i>)
560 x 360 x 420	AS1172	4.5/3L (3.3L avg. flush)	REWFSW Square Dual Button Flush Plate (<i>Matte White</i>)
560 x 360 x 420	AS1172	4.5/3L (3.3L avg. flush)	REWFSB Square Dual Button Flush Plate (<i>Matte Black</i>)
560 x 360 x 420	AS1172	4.5/3L (3.3L avg. flush)	REWFRS Round Dual Button Flush Plate (<i>Chrome</i>)
560 x 360 x 420	AS1172	4.5/3L (3.3L avg. flush)	REWFSS Square Dual Button Flush Plate (<i>Polished Stainless Steel</i>)



SCAN. WATCH. FIND OUT WHAT ALL THE FLUSH IS ABOUT...

DECINA
DISCOVER INDULGENCE

DECINA.COM.AU 1300 DECINA   

*Warranty T&Cs apply, visit decina.com.au Decina reserves the right to change specifications without notice. Due to manufacturing tolerances dimensions may vary +/- 5mm. We recommend installation does not start until after delivery. Please confirm all particulars prior to purchase, call 1300 DECINA or visit decina.com.au