

RENEE

RIMLESS WALL HUNG TOILET PAN & R&T IN-WALL CISTERN & BUTTONS - Premium Vitreous China, High Gloss White

The Renee's sleek, rimless wall hung pan, sits flush against the wall & floats above the floor. The innovative R&T in-wall cistern can be concealed in a vanity or wall cavity of just 92mm, for a fully integrated installation. Easy to clean & space saving, this seamless design is perfect for an ultra-modern bathroom.

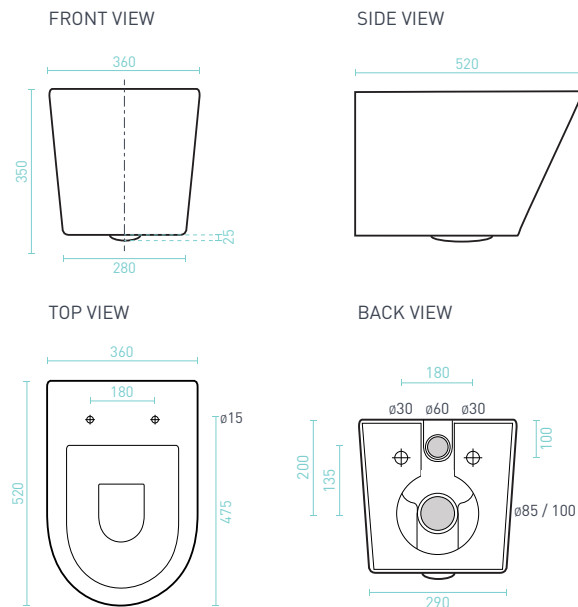
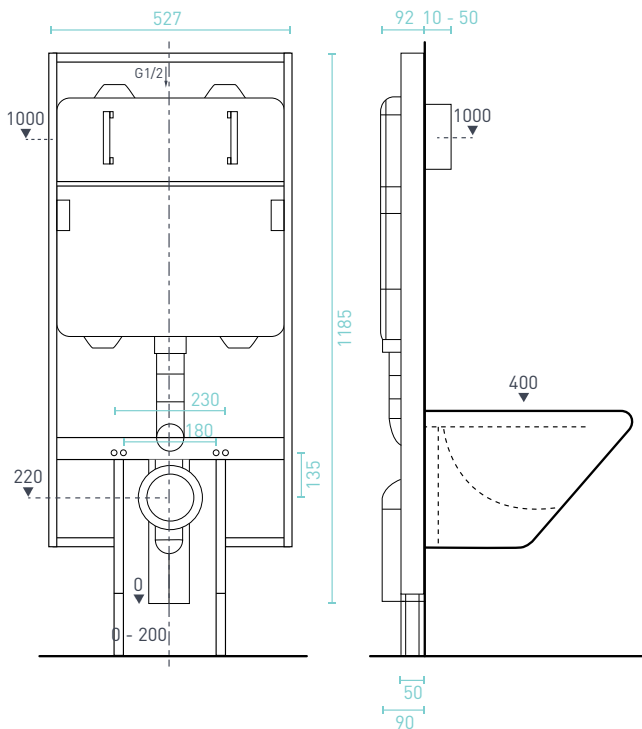
- ✓ Soft close, quick release seat/lid
- ✓ Hygienic rimless toilet bowl
- ✓ Cyclone Flush
- ☒ Nano Glaze



- **10 YEAR WARRANTY**
- cistern & pan
- **1 YEAR WARRANTY**
- seat/lid & valves
- Includes Renee rimless wall hung toilet pan with seat & lid, connector, mounting bracket, R&T in-wall cistern & buttons
- Flush plate & button variations
- Suitable for installation into a 92mm wall cavity
- P-trap setout 180mm
- Operating pressure 10-1300kPa
- 400kg load rated frame



SIZE (p) x (w) x (h) mm	WATERMARK	WELS 4 STAR	CODE (RENEE WALL HUNG PAN, R&T CISTERN & BUTTONS)
520 x 360 x 375	AS1172	4.5/3L (3.3L avg. flush)	REWHSC Square Dual Button Flush Plate (<i>Chrome</i>)
520 x 360 x 375	AS1172	4.5/3L (3.3L avg. flush)	REWHSW Square Dual Button Flush Plate (<i>Matte White</i>)
520 x 360 x 375	AS1172	4.5/3L (3.3L avg. flush)	REWHSB Square Dual Button Flush Plate (<i>Matte Black</i>)
520 x 360 x 375	AS1172	4.5/3L (3.3L avg. flush)	REWHRC Round Dual Button Flush Plate (<i>Chrome</i>)
520 x 360 x 375	AS1172	4.5/3L (3.3L avg. flush)	REWHSS Square Dual Button Flush Plate (<i>Polished Stainless Steel</i>)



SCAN. WATCH. FIND OUT WHAT ALL THE FLUSH IS ABOUT...