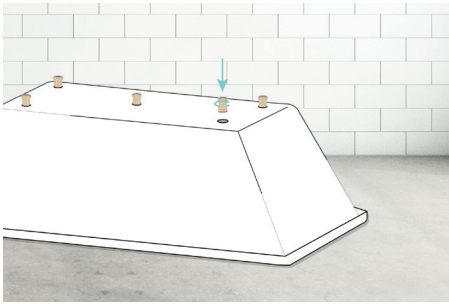


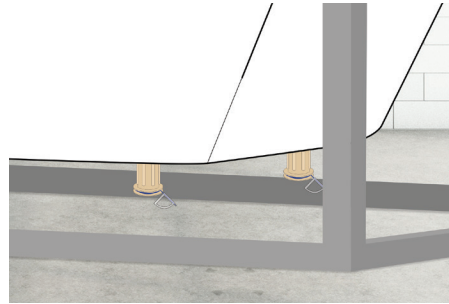


EZI FEET
ON-SITE BATH INSTALLATION SYSTEM

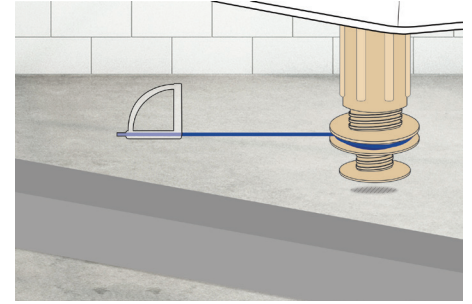
Ezi Feet is an exclusive on-site installation innovation by Decina. This optional support system is suitable for select Decina inset baths & spa baths. These adjustable, self-levelling feet offer an easy 3 step, on-site installation process;



1. Screw the Ezi Feet into the factory fitted self-supporting feet on the base of the bath.



2. Level the bath into position & connect the waste.

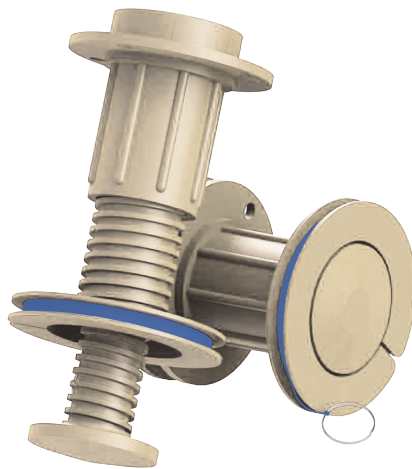


3. Pull the cord on each of the Ezi Feet, winding them down to meet the sub floor with a sturdy, level connection.

✓ Adjustable self-levelling feet

✓ Protect against the bath warranty

✓ Simplify the installation process by eliminating the need for further steel framing, a wet bed slurry or a mortar bed*



SIZE (h) x (w) x (d) mm

65-135 x 45 x 45 (pack of 5)

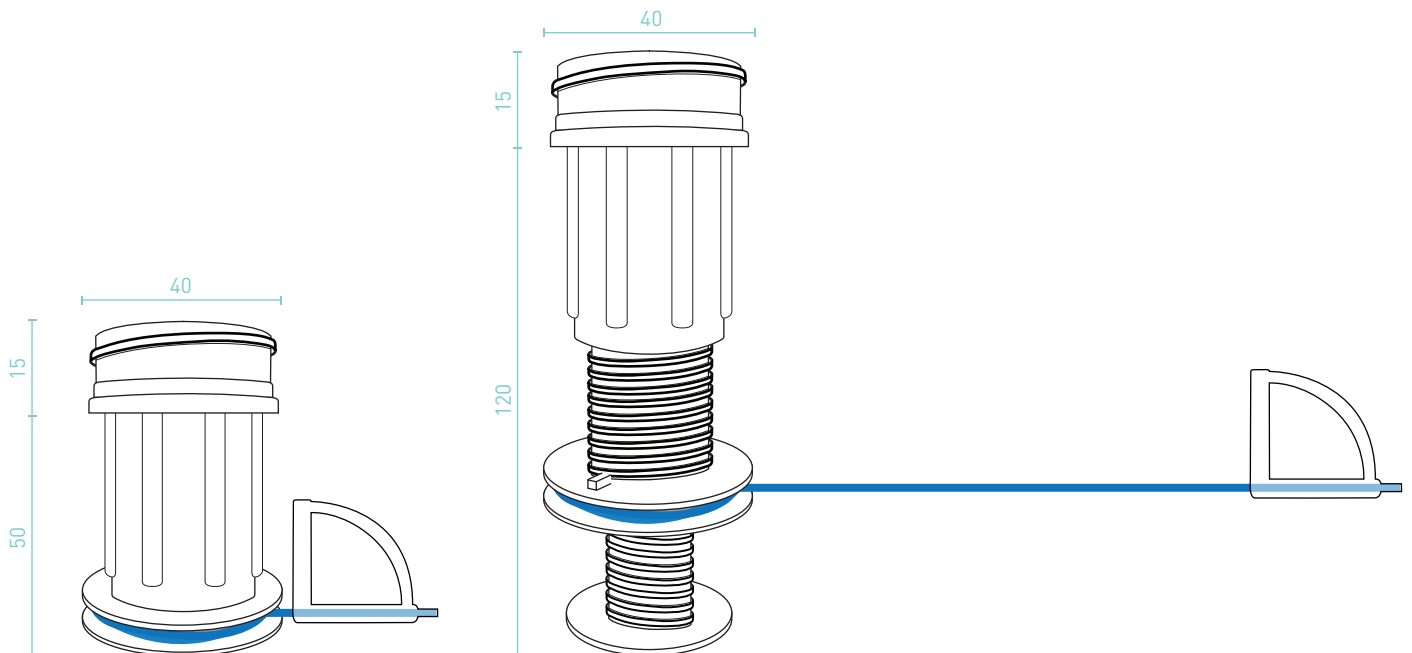
CODE

EZF005

- Adjustable self-levelling feet add 50-120mm
- Ezi Feet have a combined load bearing of 500kgs

Ezi Feet are suitable for Decina built-in baths, with self-supporting feet including *AD1510W, AD1650W, AL1750W, AP1525W, AP1675W, AX1510W, AX1520WM2, AX1650W, AX1650WM2, BA1510W, BA1650W, MT1510W, MT1650W, NO1650W, NT1665W, REBS1520W, REBS1650W, RESO1520WM2, RESO1675W, RESO1675WM2, TLAR1520W, TLAR1665W, TLRE1520WM2, TLRE1650WM2, YAR1520W, YAR1650W.*

For further product information please ask your friendly bathroomware expert or visit decina.com.au



*If being used as a shower bath installation an additional mortar base support is required between the frame & the floor.

DECINA
DISCOVER INDULGENCE

DECINA.COM.AU 1300 DECINA



*Warranty T&Cs apply, visit decina.com.au Decina reserves the right to change specifications without notice. Due to manufacturing tolerances dimensions may vary +/- 5mm. We recommend installation does not start until after delivery. Please confirm all particulars prior to purchase, call 1300 DECINA or visit decina.com.au