

Caval Counter Top Round Basin with taphole



Product Code: **CABCTTH**

The Caval round counter top basin features an ultra thin edge & is designed to be mounted on top of a vanity or counter top bench, combined with a top mounted basin mixer. Ideal for saving counter top space.

- AS/NZ Standard AS1172.4.2019
- Counter top basin
- Taphole
- Ultra-thin edge



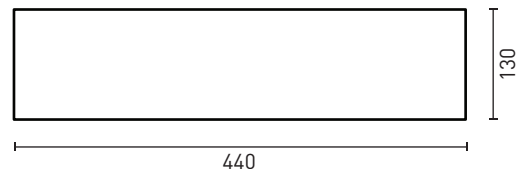
PRODUCT SPECIFICATIONS

Colour:	High gloss white
Material:	Superior vitreous china
Length:	440mm
Width:	440mm
Height:	130mm
Capacity:	6L
Basin Type:	Counter top
Net Weight:	7kg
Warranty:	10 years* (refer to decina.com.au)

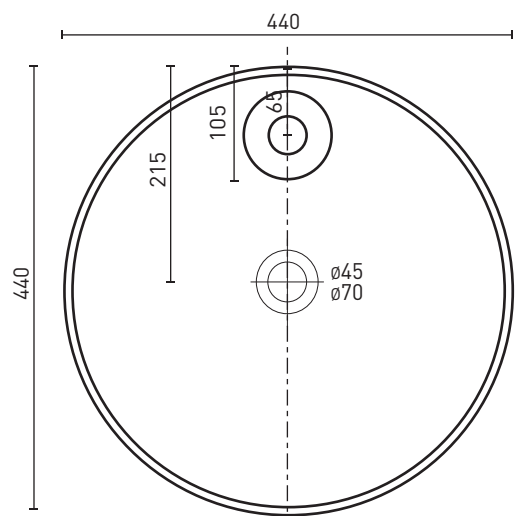
OPTIONAL ACCESSORIES

- 32mm pop-up basin waste - chrome **WA004**
- 32 X 40mm Quattro pop-up basin waste - chrome **WA005**
- 32mm pop-up basin waste - gloss white **WA006**

FRONT VIEW



TOP VIEW



DECINA
DISCOVER INDULGENCE

[DECINA.COM.AU](https://www.decina.com.au) 1300 DECINA

*Warranty T&Cs apply, visit [decina.com.au](https://www.decina.com.au) Decina reserves the right to change specifications without notice. Due to manufacturing tolerances dimensions may vary +/- 5mm. We recommend installation does not start until after delivery. Please confirm all particulars prior to purchase, call 1300 DECINA or visit [decina.com.au](https://www.decina.com.au)