

# FABRINO

INSET BATH/SPA BATH WITH TILE BEAD - Premium Sanitary Grade Acrylic, High Gloss White

Made in Australia

The Fabrino's minimalist design features steep sides that maximize the internal bathing space, while a textured entry/exit zone increases safety & functionality. Ideal as a shower bath. End waste position.

Molded arm rests

Lumbar support

Suitable for dual bathing

Slip resistant pattern

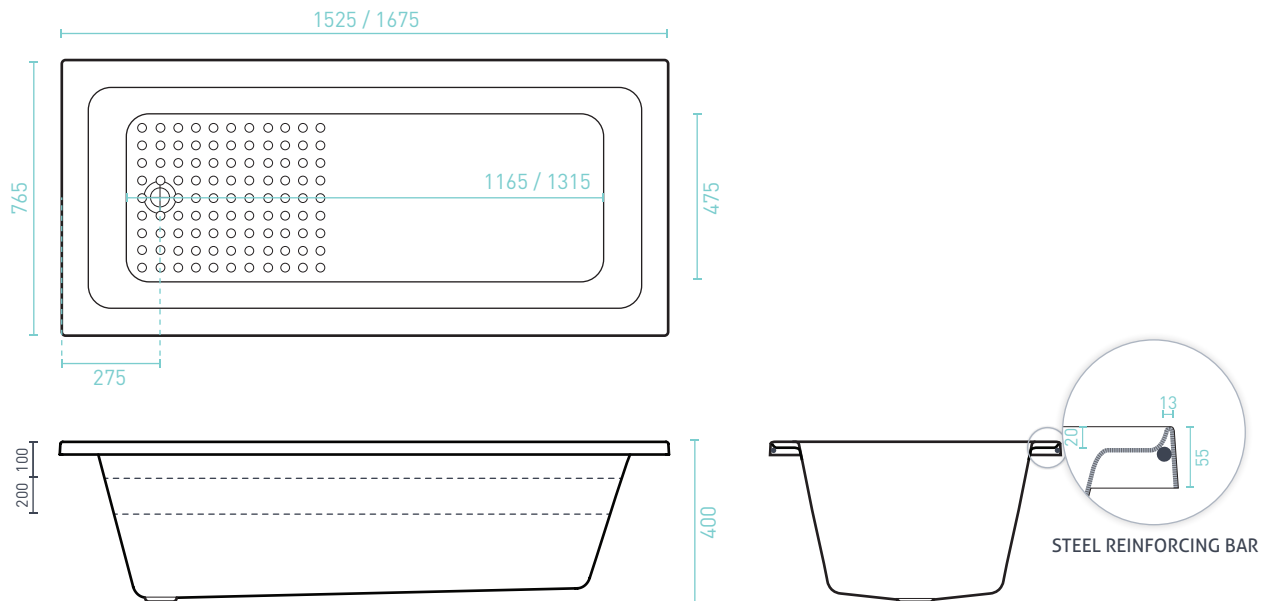


## FABRINO BATH

SIZE (l) x (w) x (d) mm	CAPACITY*	NET WEIGHT	CODE
1525 x 765 x 400	130L	17kg	FA1525W
1675 x 765 x 400	154L	19kg	FA1675W

- 15 YR WARRANTY\*
- AS/NZ Standard 2013/1995
- Steel rod reinforced rim
- Double reinforced bath base

FABRINO ACCESSORIES	BATH
EZI Frame/Base Support Frame	EZF001/EZF002/TAP002
Overflow Kit (Pop-Up Waste/Pop-Down Waste)	OWA001/OWA002
FIORE Headrest (Black/White)	SY242-A-B/SY242-A-W
40mm Removable Pop-Up Waste	WA001



\*Capacity 200mm below the bath rim