

Suzana Freestanding Bath with Integrated Overflow



Product Code: **SU1500WIO / SU1700WIO**

The Suzana's rectangular shape features reclining back rests at either end for comfort and is perfect for dual bathing. The sharp square edges allow it to be installed up against a wall or into the corner of a tiled bathroom, to save bathroom space and make cleaning easier.

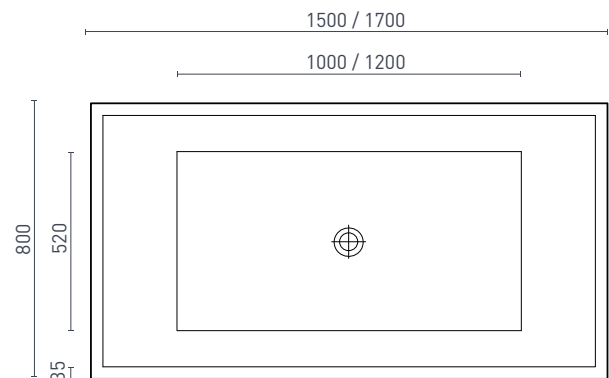


- Australian Standard 1172.5:2019
- Integrated Overflow
- Adjustable self-supporting feet
- Lumbar support
- Suitable for dual bathing
- Internal steel support frame



PRODUCT SPECIFICATIONS

Colour:	High gloss white
Material:	Premium sanitary grade acrylic
Length:	1500mm / 1700mm
Width:	800mm
Height:	600mm
Capacity:	182L / 204L [200mm below the bath rim]
Bath Type:	Freestanding
Waste Position:	Centre
Net Weight:	47kg / 51kg
Warranty:	10 years* (refer to decina.com.au)

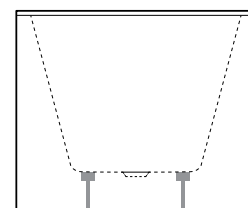
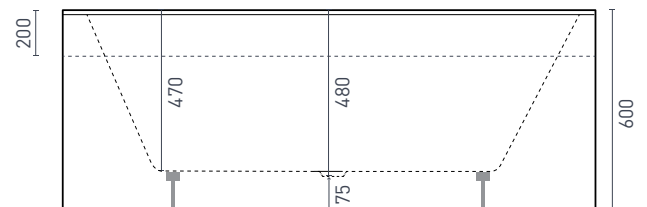


OPTIONAL ACCESSORIES

- 40mm Removable Pop-Down Waste W/O Chrome **OWA018**
- Fiore Headrest *Black Straight* **SY242-A-B**

PLEASE NOTE:

A flexible bath connector cannot be used with Suzana bath. Connect the waste directly to the drain.



DECINA
DISCOVER INDULGENCE

[DECINA.COM.AU](https://www.decina.com.au) 1300 DECINA

*Warranty T&Cs apply, visit [decina.com.au](https://www.decina.com.au) Decina reserves the right to change specifications without notice. Due to manufacturing tolerances dimensions may vary +/- 5mm. We recommend installation does not start until after delivery. Please confirm all particulars prior to purchase, call 1300 DECINA or visit [decina.com.au](https://www.decina.com.au)