

Suzana Freestanding Bath

Product Code: **SU1500W / SU1700W**



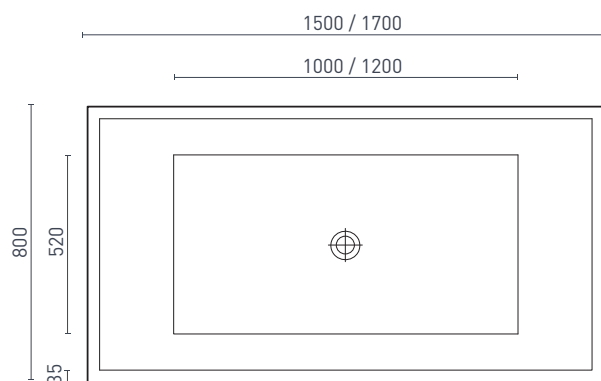
The Suzana's rectangular shape features reclining back rests at either end for comfort and is perfect for dual bathing. The sharp square edges allow it to be installed up against a wall or into the corner of a tiled bathroom, to save bathroom space and make cleaning easier.

- AS/NZ Standard 2023:1995
- Adjustable self-supporting feet
- Lumbar support
- Suitable for dual bathing
- Internal steel support frame



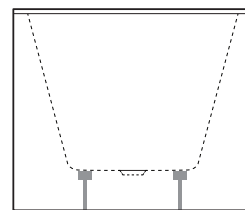
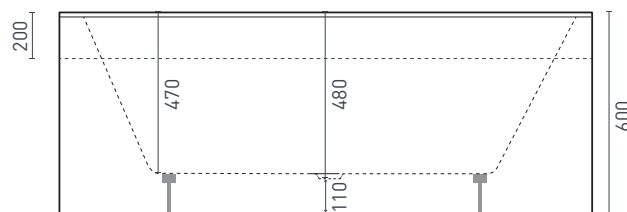
PRODUCT SPECIFICATIONS

Colour:	High gloss white
Material:	Premium sanitary grade acrylic
Length:	1500mm / 1700mm
Width:	800mm
Height:	600mm
Capacity:	182L / 204L [200mm below the bath rim]
Bath Type:	Freestanding
Waste Position:	Centre
Net Weight:	47kg / 51kg
Warranty:	10 years* (refer to decina.com.au)



OPTIONAL ACCESSORIES

- 40mm Removable Pop-up Waste *Chrome* **WA001**
White Gloss **WA002**, *Black Matte* **WA003**
- Pop-up Waste & Overflow Kit *Chrome* **OWA001**
- Pop-down Waste & Overflow Kit *Chrome* **OWA002**
- Pop-down Waste & Overflow Kit *Black* **OWA003**
- Flexible Bath Connector with Pop-up Waste *Chrome* **OWA004**
- Flexible Bath Connector *Cap & Lining only* **OWA005**
- Sia Headrest *Black Curved* **SY242-B**



DECINA
DISCOVER INDULGENCE

DECINA.COM.AU 1300 DECINA

*Warranty T&Cs apply, visit decina.com.au Decina reserves the right to change specifications without notice. Due to manufacturing tolerances dimensions may vary +/- 5mm. We recommend installation does not start until after delivery. Please confirm all particulars prior to purchase, call 1300 DECINA or visit decina.com.au