

Caval Santai / Contour Island Spa Bath

 MADE IN AUSTRALIA



SPA BATH SHELL



PUMP, JETS & FITTINGS

The Caval's oval design takes it to the new level. Its extended length & width provide that extra space that makes it a perfect spa bath for two.

- AS/NZ Standard AS3861/1991
- Steel rod reinforced rim
- Double reinforced bath base
- Suitable for dual bathing

PRODUCT SPECIFICATIONS

Colour:	High Gloss White
Material:	Premium Sanitary grade acrylic
Length:	1790mm
Width:	900mm
Height:	496mm
Capacity:	188L [200mm below the bath rim]
Bath Type:	Island
Waste Position:	Centre
Warranty:	10 years* spa shell, 5 years pump*, jets, fittings (*refer to decina.com.au)

CAVAL SANTAI SPA BATH ● 12 JETS

SIZE (l) x (w) x (d) mm	CAPACITY*	NET WEIGHT	CODE
1790 x 900 x 496	188L	50kg	CA1800SAN12JW

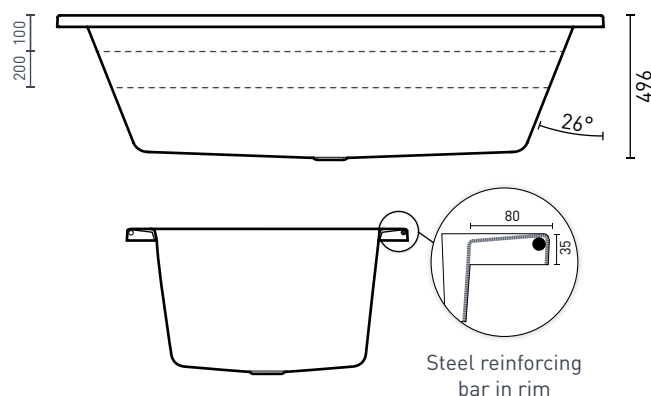
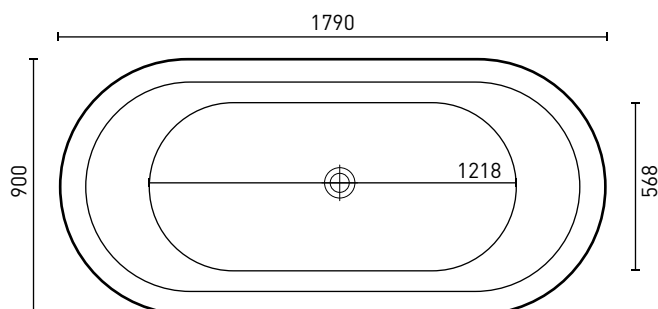
- 6 x low profile Mod centro jets
- 6 x low profile Mod mini jets
- 1 x low profile Mod suction
- 1 x Mod power button (rim mounted)
- 2 x Mod air controls (rim mounted)
- 750 watt pump with air tube connect which helps maintain water temperature by heat transfer.



CAVAL CONTOUR SPA BATH ●● 14 JETS

SIZE (l) x (w) x (d) mm	CAPACITY*	NET WEIGHT	CODE
1790 x 900 x 496	188L	50kg	CA1800CNPAWC

- 6 x flush C-Lenda™ centro jets
- 8 x flush C-Lenda™ mini jets
- 2 x flush C-Lenda™ air controls
- 1 x flush C-Lenda™ suction
- 1 x Sensa-Touch pad control (rim mounted)
- 750 watt 3-stage heat boost pump
- 2 x Sia black headrests



SPA ORDER FORM NEXT PAGE >

OPTIONAL ACCESSORIES

- 40mm Removable pop-up waste *Chrome* **WA001**
White Gloss **WA002**, *Black Matte* **WA003**
- Pop-up waste & overflow kit *Chrome* **OWA001**
- Pop-down waste & overflow kit *Chrome* **OWA002**
- Pop-down waste & overflow kit *Black* **OWA003**
- Sia headrest *Black Curved* **SY242-B**
- EZI Frame / Base Support Frame **Various**

SPA BATH ORDER FORM

Spa baths are made to order on receipt of the order form & are non-refundable. Whilst we aim for 15-20 working days for completion & dispatch, please contact Decina for current lead times. We recommend filling out your spa bath order form with your qualified tradesperson.

COMPANY & BRANCH: _____ PHONE NO: _____

CONTACT: _____ ORDER NO: _____ DATE: _____

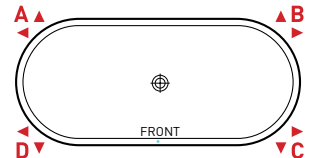
MODEL: _____ SIZE: _____ QTY: _____ RANGE SANTAI CONTOUR

SPA PUMP NOTES

- The spa pump does not fit directly in the baths perimeter (*allow 100mm*)
- The spa pump must be easily accessible for maintenance
- Waste positions can not be changed
- The spa pump controls will always be at the front, unless indicated below
- We recommend spa pumps installed outside are fitted with a Spa Pump Cover EDG119
- We recommend spa pumps installed inside are fitted with a Drain Tray EDG140

Please refer to the technical drawings before choosing your spa pump position, as spa bath waste & pump positions CANNOT be customised

1. CIRCLE YOUR PUMP POSITION A / B / C / D ON THE DIAGRAM



CUSTOMER NAME: _____ CUSTOMER SIGNATURE: _____

CUSTOMER EMAIL: _____ CUSTOMER PHONE NO: _____

*Whilst every effort is made to adhere to published jet & fittings positions, variation to specifications may occur without notice.