

# Luna Rectangle Shower Base with three-sided tile bead

Product Code: **SB1200R3T**



**MADE IN AUSTRALIA**

The Luna's slimline design, with three side tile bead, can be fully integrated into tiled bathroom walls or combined with other Decina shower products to create a leak resistant, long lasting, luxury shower enclosure. This shower base has a rear outlet position, plus an exclusive Decina branded chrome, friction lock removable waste cover.

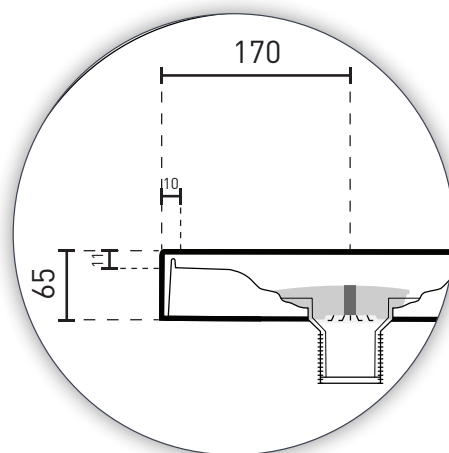
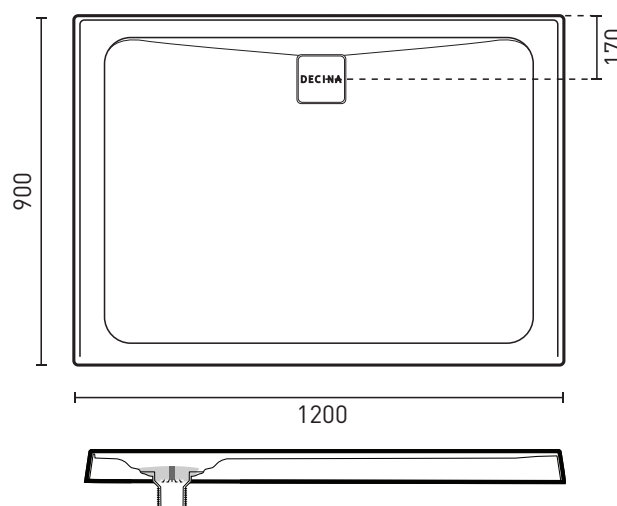
- Made to AS/NZ Standard 3588:1996
- Steel rod reinforced base
- Base is triple reinforced with fiberglass, timber and resin
- Includes chrome, friction lock removable waste cover
- 49mm low entry height
- Self-supporting feet
- No mortar bed required
- Slip resistant
- Easy to clean & maintain

## PRODUCT SPECIFICATIONS

<b>Material:</b>	Premium sanitary grade acrylic, high gloss white / chrome
<b>Width:</b>	1200mm
<b>Depth:</b>	900mm
<b>Height:</b>	64mm (base height to the top of the tile bead)
<b>Net Weight:</b>	28kg
<b>Warranty:</b>	10 years (refer to <a href="http://decina.com.au">decina.com.au</a> )

## OPTIONAL ACCESSORIES

- Two sided acrylic shower wall **SW1200**
- Three sided acrylic shower wall **SWAL1200**
- Avalon Shower Screen / System **AVSS1200C / AVSYS1200R**
- Malanda Shower Screen / System **MASS1200C / MASYS1200R**
- Cascade Shower Screen / System **CASS1200C / CASYS1200RC**



**DECINA**  
DISCOVER INDULGENCE

[DECINA.COM.AU](http://DECINA.COM.AU) 1300 DECINA



\*Warranty T&Cs apply, visit [decina.com.au](http://decina.com.au) Decina reserves the right to change specifications without notice. Due to manufacturing tolerances dimensions may vary +/- 5mm. We recommend installation does not start until after delivery. Please confirm all particulars prior to purchase, call 1300 DECINA or visit [decina.com.au](http://decina.com.au)