

SCARLET

INSET BATH WITH TILE BEAD - Premium Sanitary Grade Acrylic, High Gloss White

Made in Australia

The Scarlet's increased width & depth makes it larger than many traditional shower baths. Additionally this bath has a slip resistant pattern that provides greater safety when entering & exiting the bath. *End waste position.*

- Molded arm rests
- Lumbar support
- Suitable for dual bathing
- Slip resistant pattern

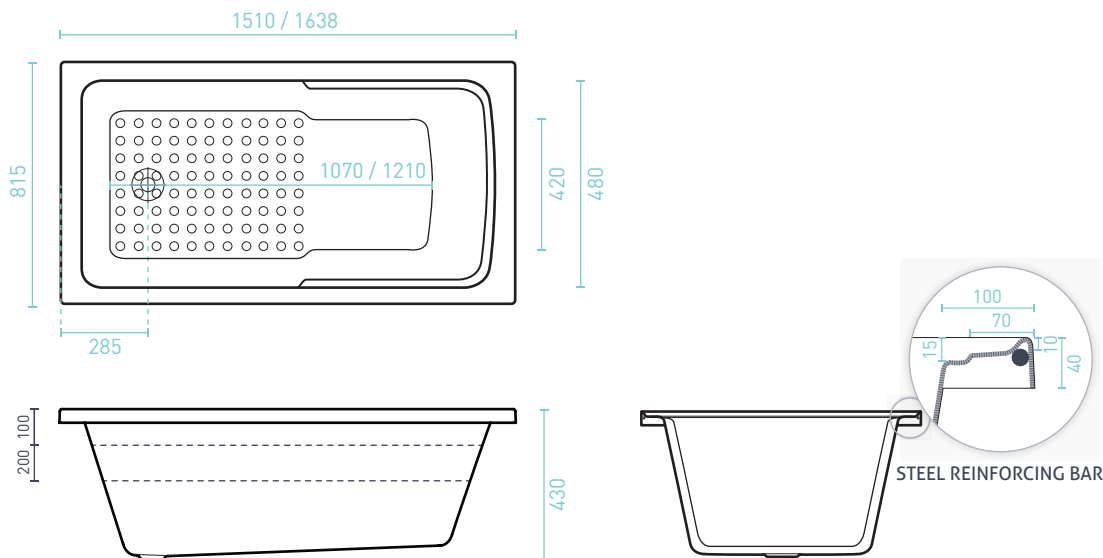


SCARLET BATH

SIZE (l) x (w) x (d) mm	CAPACITY*	NET WEIGHT	CODE
1510 x 815 x 430	124L	20kg	SCA1520W
1638 x 815 x 430	159L	38kg	SCA1650W

- 15 YR WARRANTY*
- AS/NZ Standard 2023/1995
- Steel rod reinforced rim
- Double reinforced bath base

SCARLET ACCESSORIES	BATH
EZI Frame/Base Support Frame	Optional
FIORE Headrests Black/White	Optional
Overflow	Optional
Plug & Waste	Optional



*Capacity 200mm below the bath rim