

CARINA

ISLAND BATH/SPA BATH - Premium Sanitary Grade Acrylic, High Gloss White

Made in Australia

The Carina's planes have been angled to maximize bath space, reclining comfort & function. Its Island Style allows it to be set away from adjoining walls allowing the viewer to truly appreciate its simple elegance. Centre waste position.

- Molded arm rests
- Lumbar support
- Suitable for dual bathing
- Slip resistant pattern



CARINA BATH

SIZE (l) x (w) x (d) mm	CAPACITY*	NET WEIGHT	CODE
1525 x 765 x 440	147L	18.5kg	CA1525W
1675 x 765 x 440	166L	20.6kg	CA1675W
1750 x 805 x 480	182L	25kg	CA1750W



- 15 YR WARRANTY*
- AS/NZ Standard 2013/1995
- Steel rod reinforced rim
- Double reinforced bath base



CARINA SANTAI SPA BATH ● 12 JETS

SIZE (l) x (w) x (d) mm	CAPACITY*	NET WEIGHT	CODE
1525 x 765 x 440	147L	34kg	CA1525SAN12JW
1675 x 765 x 440	166L	37kg	CA1675SAN12JW
1750 x 805 x 480	182L	45kg	CA1750SAN12JW

- 10 YR WARRANTY* - SPA SHELL
- 5 YR WARRANTY* - PUMP, JETS & FITTINGS
- AS/NZ Standard AS3861/1991
- Steel rod reinforced rim
- Double reinforced bath base
- 6 x low profile Mod centro jets
- 6 x low profile Mod mini jets
- 1 x low profile Mod suction
- 1 x Mod power button (rim mounted)
- 2 x Mod air controls (rim mounted)
- 750 watt auto heat boost pump



CARINA CONTOUR SPA BATH ●● 14 JETS

SIZE (l) x (w) x (d) mm	CAPACITY*	NET WEIGHT	CODE
1525 x 765 x 440	147L	34kg	CA1525CNSPAWC
1675 x 765 x 440	166L	37kg	CA1675CNSPAWC
1750 x 805 x 480	182L	45kg	CA1750CNSPAWC

- 10 YR WARRANTY* - SPA SHELL
- 5 YR WARRANTY* - PUMP, JETS & FITTINGS
- AS/NZ Standard AS3861/1991
- Steel rod reinforced rim
- Double reinforced bath base
- 6 x flush C-Lenda™ centro jets
- 8 x flush C-Lenda™ mini jets
- 2 x flush C-Lenda™ air controls
- 1 x flush C-Lenda™ suction
- 1 x Sensa-Touch pad control (rim mounted)
- 750 watt 3-stage heat boost pump



CARINA DOLCE VITA SPA BATH ●●● 18 JETS

SIZE (l) x (w) x (d) mm	CAPACITY*	NET WEIGHT	CODE
1675 x 765 x 440	166L	57kg	CA1675DVSPAWC
1750 x 805 x 480	182L	65kg	CA1750DVSPAWC

- 10 YR WARRANTY* - SPA SHELL
- 5 YR WARRANTY* - PUMP, JETS & FITTINGS
- AS/NZ Standard AS3861/1991
- Steel rod reinforced rim
- Double reinforced bath base
- 6 x adjustable flush C-Lenda™ centro jets
- 12 x adjustable flush C-Lenda™ mini jets
- 2 x flush C-Lenda™ air controls
- 1 x flush C-Lenda™ suction
- Spa Key remote control
- 1100 watt spa key heat boost pump

Available with Chrome, White or Black jets

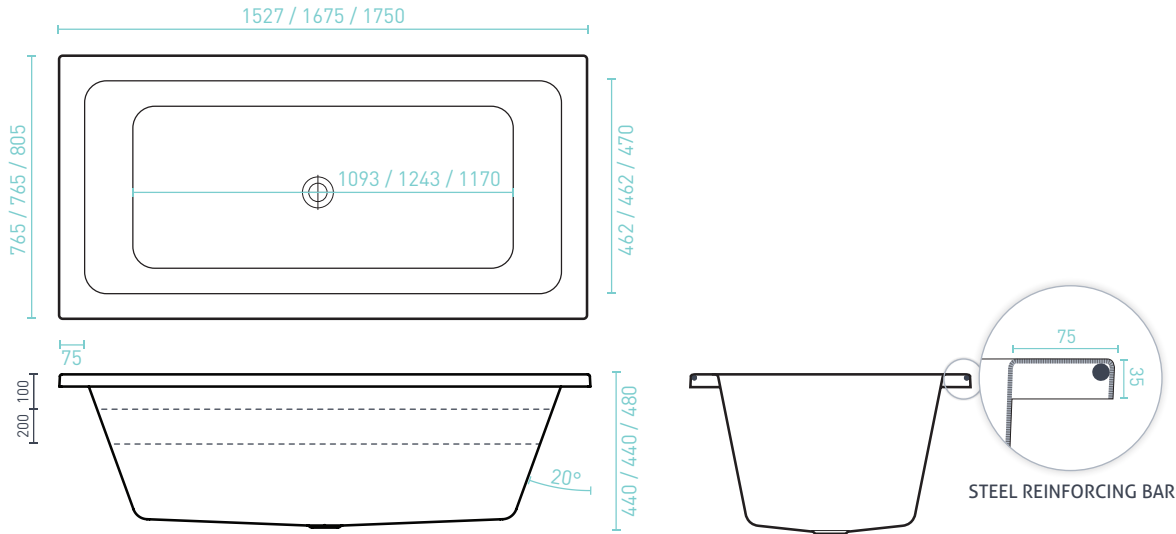


*CAPACITY 200mm below the bath rim

CARINA ACCESSORIES	BATH	SANTAI SPA BATH	CONTOUR SPA BATH	DOLCE VITA SPA BATH
EZI Frame/Base Support Frame	Optional	Optional	Optional	✓
Overflow	Optional	Optional	Optional	Optional
Fiore Headrests Black/White	Optional	Optional	✓ x 2	✓ x 2
Plug & Waste	Optional	Optional	Optional	Optional

CARINA

ISLAND BATH/SPA BATH - Premium Sanitary Grade Acrylic, High Gloss White



SPA BATH ORDER FORM

Spa baths made to order on receipt of order form. Please allow 15 working days for completion & dispatch. We recommend filling out your SPA BATH ORDER FORM with your qualified spa bath installer.

COMPANY & BRANCH: _____ PHONE NO: _____
 CONTACT: _____ ORDER NO: _____ DATE: _____

MODEL: _____ SIZE: _____ QTY: _____ RANGE SANTAI CONTOUR DOLCE VITA


SANTAI SPA BATH UPGRADE OPTIONS

PUMP UPGRADE - Manual Xtra-Heat Boost Pump (RRP \$215) **PUMP UPGRADE** - Sensa-Touch Pad Control 3-Stage Heat (RRP \$425)
EZI FRAME - Supplied Factory Fitted **BASE SUPPORT FRAME** - Factory Fitted Overflow
HEADRESTS - White QTY: _____ Black QTY: _____ (RRP \$99 each)

CONTOUR SPA BATH UPGRADE OPTIONS

EZI FRAME - Supplied Factory Fitted **BASE SUPPORT FRAME** - Factory Fitted Overflow
HEADREST COLOUR - White Black

DOLCE VITA SPA BATH OPTIONS

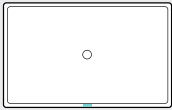
JET COLOUR - Chrome White Black  **HEADREST COLOUR** - White Black

SPA PUMP NOTES

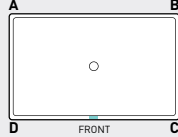
- The Spa Pump does not fit directly underneath the baths perimeter
- The Spa Pump should be easily accessible for maintenance
- Waste positions can not be changed
- The Spa Pump controls will always be at the front, unless indicated below

PLEASE INDICATE ON THE DIAGRAMS BELOW: (please refer to the technical drawings before choosing your pump position)

SHOWER HEAD POSITION (if applicable)
 The Spa Pump controls CAN NOT be on the same end as the shower head.

 FRONT

SPA PUMP POSITION (300mm of pipework is supplied)
 The recommended max. distance between the bath & spa pump is 1.2 metres.
 Is the distance between the bath and the spa pump over 300mm
 YES NO If YES how much extra pipework is required _____

 FRONT

CUSTOMER NAME: _____ CUSTOMER SIGNATURE: _____
 CUSTOMER EMAIL: _____ CUSTOMER PHONE NO: _____

*Whilst every effort is made to adhere to published jet & fittings positions, variation to specifications may occur without notice.



*Warranty T&Cs apply, visit decina.com.au Decina reserves the right to change specifications without notice. Due to manufacturing tolerances dimensions may vary +/- 5mm. We recommend installation does not start until after delivery. Please confirm all particulars prior to purchase, call 1300 DECINA or visit decina.com.au