

Alegra Back-to-Wall Freestanding Bath with tile bead



Product Code: **AG1700B**

The Alegra features beautiful curved edges & contrasting black & white gloss finish. It's one-sided tile bead design allows it to be integrated into the wall, achieving a water tight seal around the bath rim.

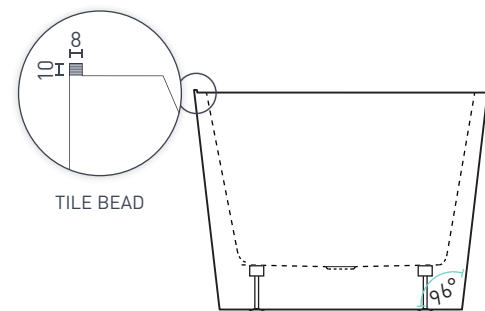
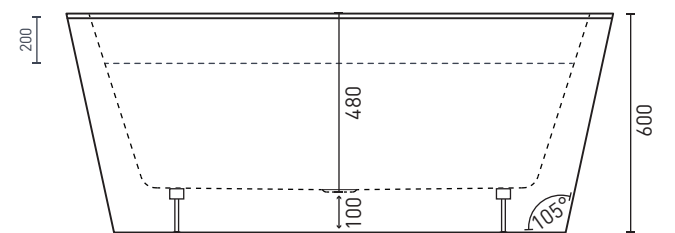
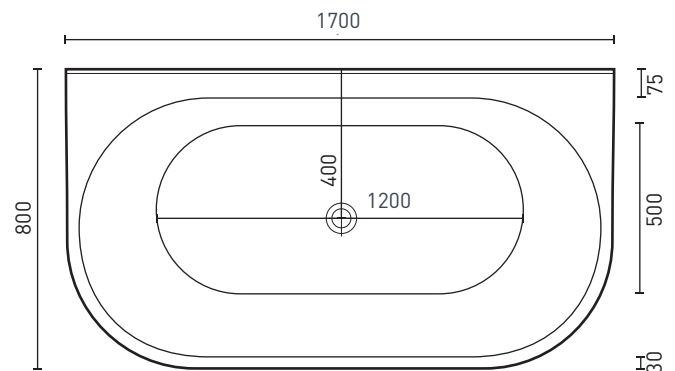
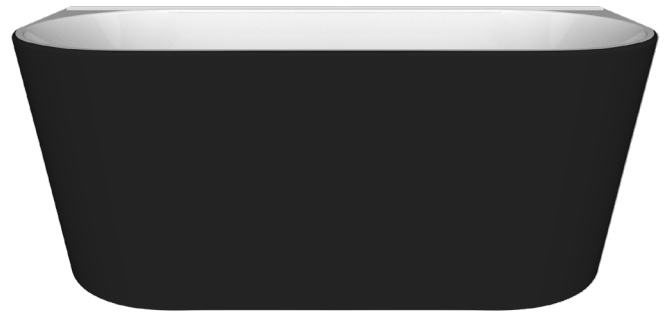
- Australian Standard 1172.5:2019
- Adjustable self-supporting feet
- Lumbar support
- Suitable for dual bathing
- Internal steel support frame

PRODUCT SPECIFICATIONS

Colour:	High gloss black & white
Material:	Premium sanitary grade acrylic
Length:	1700mm
Width:	800mm
Height:	600mm
Capacity:	175L [200mm below the bath rim]
Bath Type:	Back-to-wall freestanding
Waste Position:	Centre
Net Weight:	65kg
Warranty:	10 years* (refer to decina.com.au)

OPTIONAL ACCESSORIES

- 40mm Removable pop-up waste *Chrome* **WA001**
White Gloss **WA002**, *Black Matte* **WA003**
- Pop-up waste & overflow kit *Chrome* **OWA001**
- Pop-down waste & overflow kit *Chrome* **OWA002**
- Pop-down waste & overflow kit *Black* **OWA003**
- Flexible bath connector with pop-up *Chrome* **OWA004**
- Flexible bath connector *Cap & Lining only* **OWA005**
- Sia headrest *Black Curved* **SY242-B**



DECINA
DISCOVER INDULGENCE

[DECINA.COM.AU](https://www.decina.com.au) 1300 DECINA

*Warranty T&Cs apply, visit [decina.com.au](https://www.decina.com.au) Decina reserves the right to change specifications without notice. Due to manufacturing tolerances dimensions may vary +/- 5mm. We recommend installation does not start until after delivery. Please confirm all particulars prior to purchase, call 1300 DECINA or visit [decina.com.au](https://www.decina.com.au)