

ELISI

FREESTANDING SPA BATH - Premium Sanitary Grade Acrylic, High Gloss White

The Elisi's freestanding design reflects Decina's continuing evolution & pursuit in innovation, design & technology. This spa bath can be freely located & its thin bath rim is free of any controls, creating a minimal, modern look. *Centre waste position.*

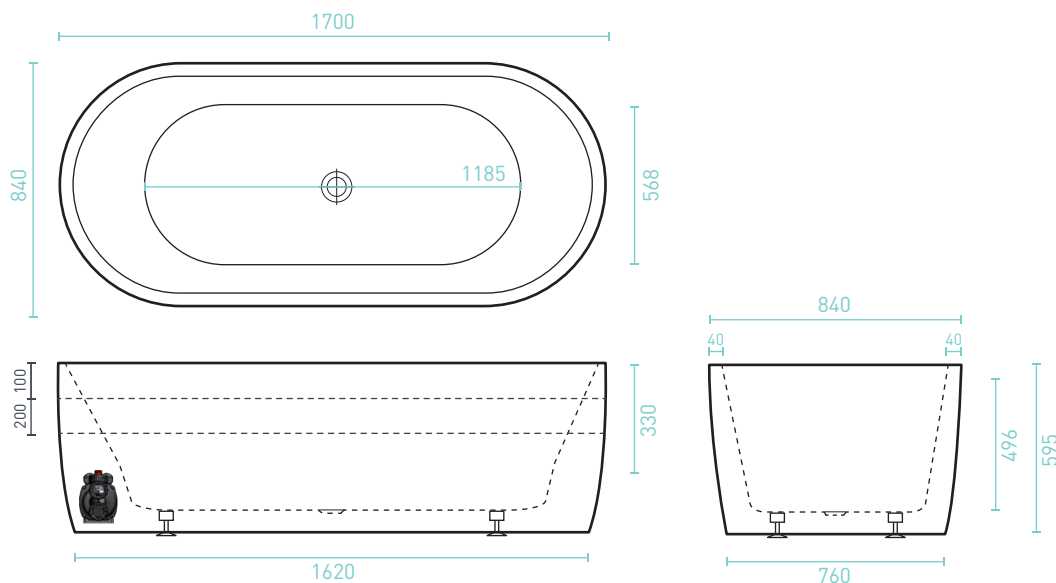
- Adjustable self-supporting feet
- Lumbar support
- Suitable for dual bathing
- Removable side panels



ELISI CONTOUR SPA BATH ●●● 14 JETS

SIZE (l) x (w) x (d) mm	CAPACITY*	NET WEIGHT	CODE
1700 x 840 x 595	195L	60kg	EL1700FSCNW

- 10 YR WARRANTY* - SPA SHELL
- 5 YR WARRANTY* - PUMP, JETS & FITTINGS
- AS/NZ Standard AS2023/1995
- 6 x flush C-Lenda™ centro jets
- 8 x flush C-Lenda™ mini jets
- 2 x flush C-Lenda™ air controls
- 1 x flush C-Lenda™ suction
- Spa Key remote control
- 750 watt spa key heat boost pump
- The spa pump is located at the end of the bath directly under the perimeter



SPA KEY HEAT BOOST PUMP	VOLTAGE	POWER	HEATER	CURRENT	FLOW RATE
6102	240W	750W	700W	7.5A	350LPM

Your freestanding spa bath is supplied fully plumbed & with a 10AMP, 50HZ, 240V pump fitted with a 3-pin Power Plug.
 Your freestanding spa bath will be required to either be hardwired or plugged into a suitable power point.
 For further guidance on the location of the power point & any other electrical requirements, please discuss with your licensed electrician.
 Electrical installation must comply with AS:3000 - electrical wiring rules.

Please note for any future maintenance on the spa bath, the waste will need to be disconnected and bath removed.

ELISI ACCESSORIES	PRODUCT CODE	CONTOUR SPA BATH
SIA Headrests (Black/White)	SY242-B / SY242-W	Optional
Plug & Waste	VARIOUS	Optional