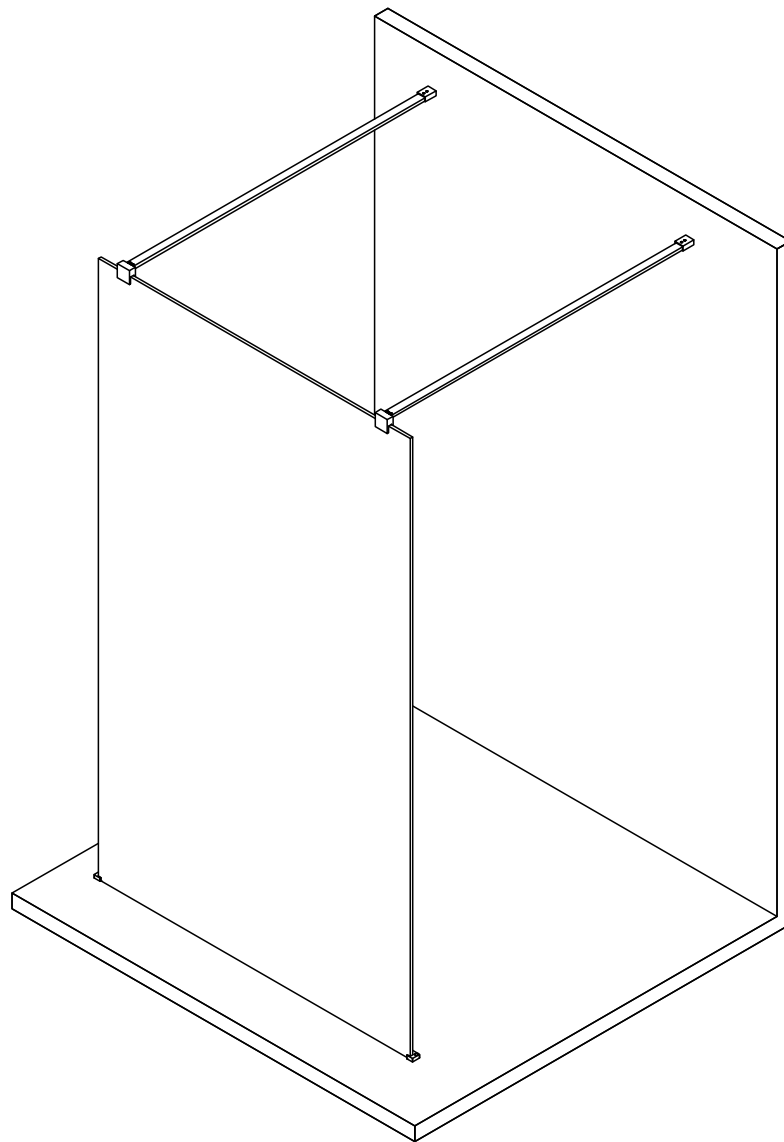


Installation Manual

MSP1150FREE/B

M-series Freestanding shower panel
With Decina's Exclusive EZI Clean Coating



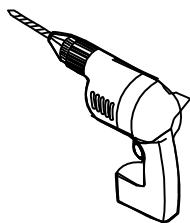
Important Pre-Installation Information

- Please read this entire instruction booklet before commencing installation.
- A licenced tradesman must be used for the installation.
- Two people are required to complete this installation.
- Ensure there is a gasket between all glass and metal components.
- Leave the plastic protectors on the glass corners until the last possible moment.
- Instructions to install the shower tray are included with the shower tray.
- The EZI Clean coating is only on one face. This face will have a sticker on it to identify it. This side must be installed on the wet side of the shower.

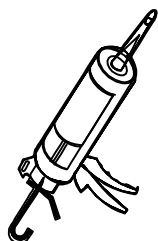
Maintenance

- The use of harsh or abrasive cleaners will cause deterioration of the EZI Clean coating. If water alone is not enough to clean the glass, Decina recommends the use of mild detergent solutions only.

Tools Required



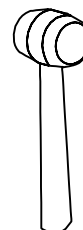
DRILL



SILICONE



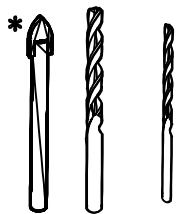
SCREWDRIVERS



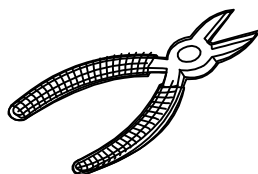
MALLET



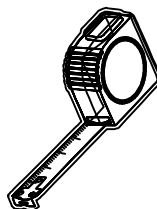
PENCIL



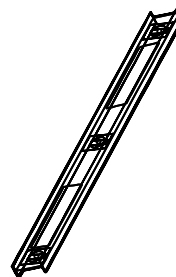
1/4" & 1/8" DRILL BITS



CUTTING PLIER



TAPE MEASURE



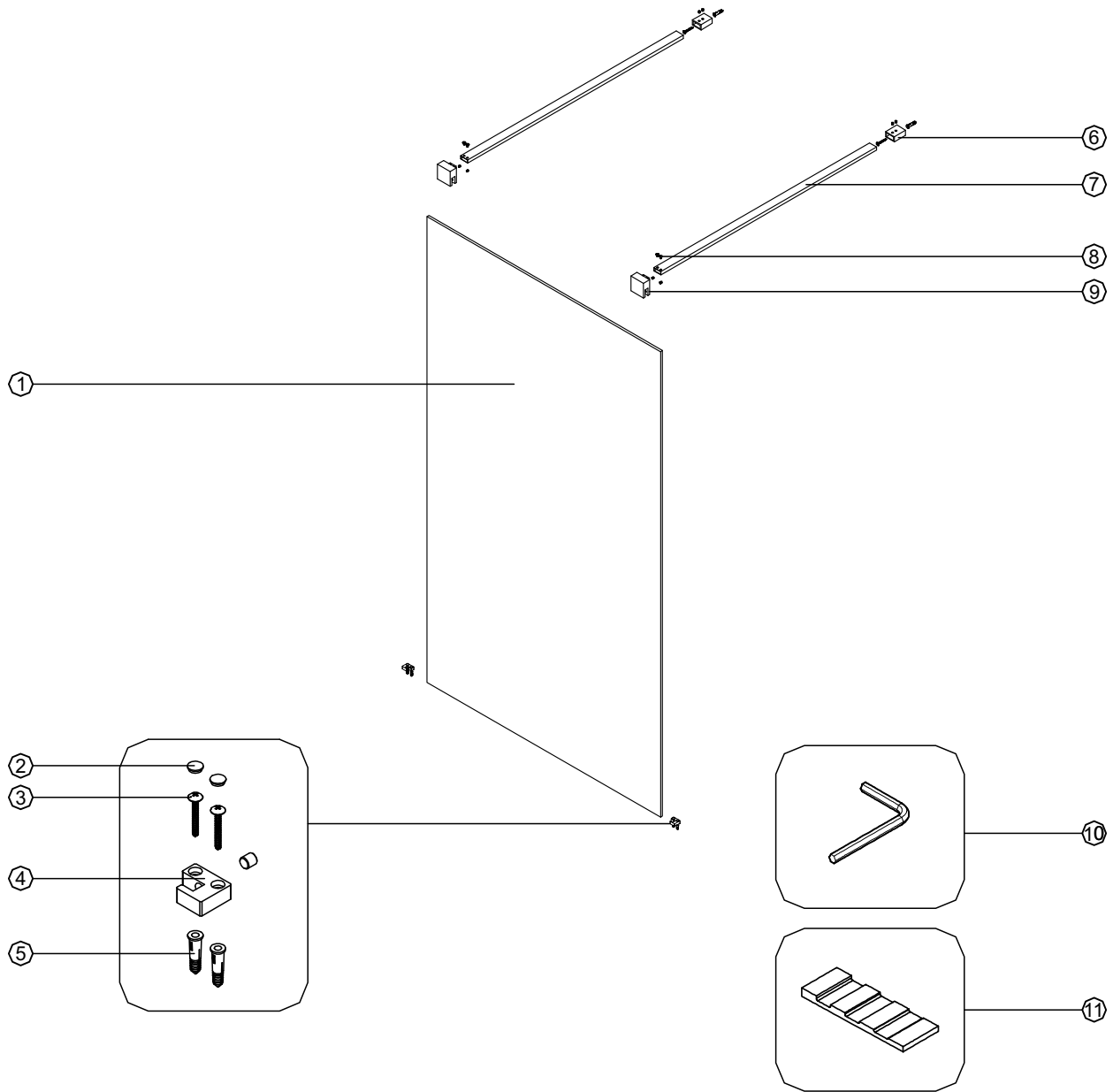
LEVEL



UTILITY KNIFE

** Use the correct type of drill bit for the material being drilled, with 6mm used for anchor fixing and 3mm used for screwing directly into the wall studs.*

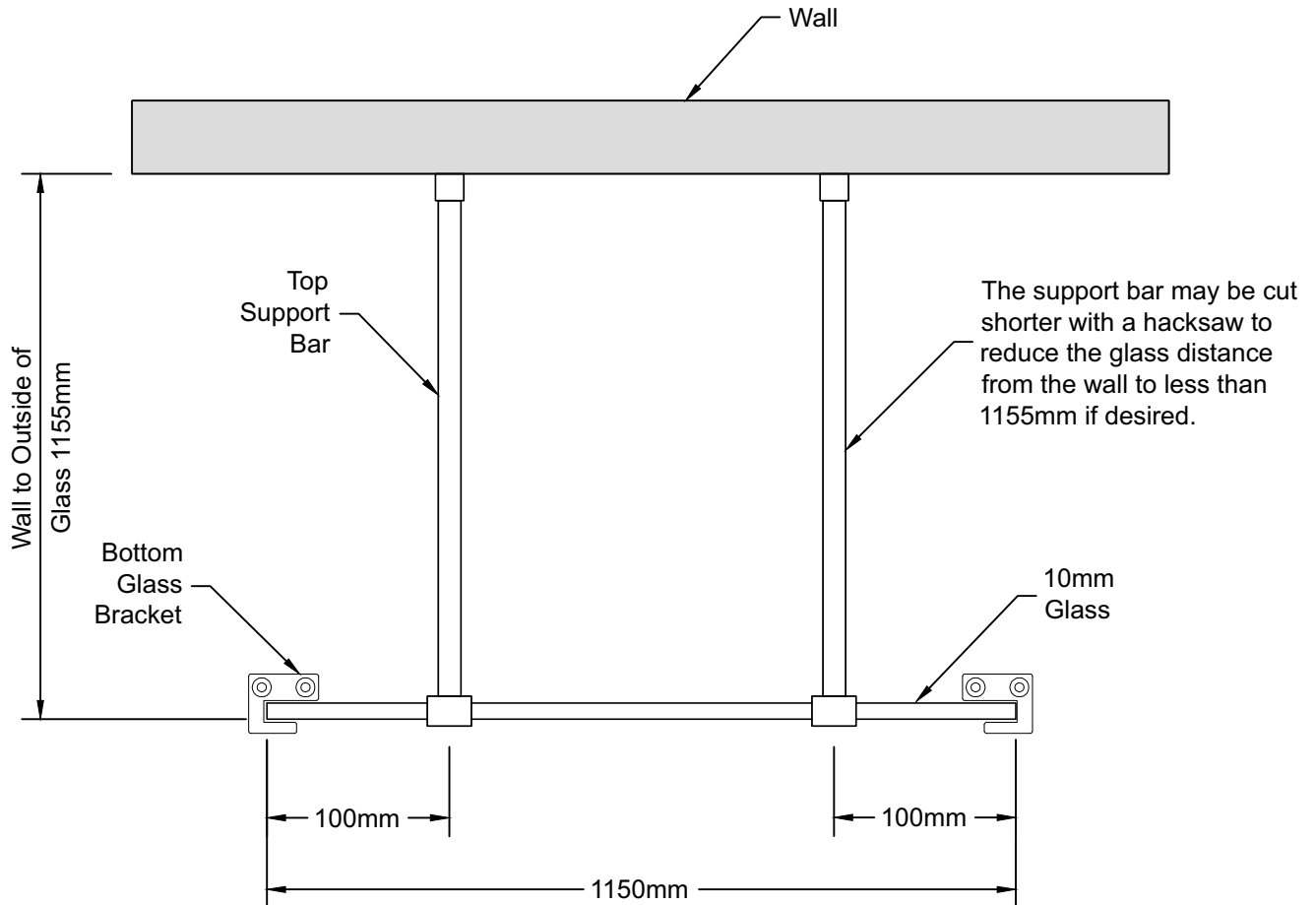
Parts List



Part	DESCRIPTION	Qty
1	Glass	1
2	Screw Cover	4
3	Phillips Head Screw 4 x 40mm	7
4	Bottom Glass Bracket	2
5	Wall Anchor	7
6	Top Wall Bracket	2
7	Top Support Bar	2
8	Phillips Head Screw 4 x 6mm	4
9	Top Glass Bracket	2
10	2.5mm Allen Key	1
11	Glass Wedge Spacer	2

Determining Layout

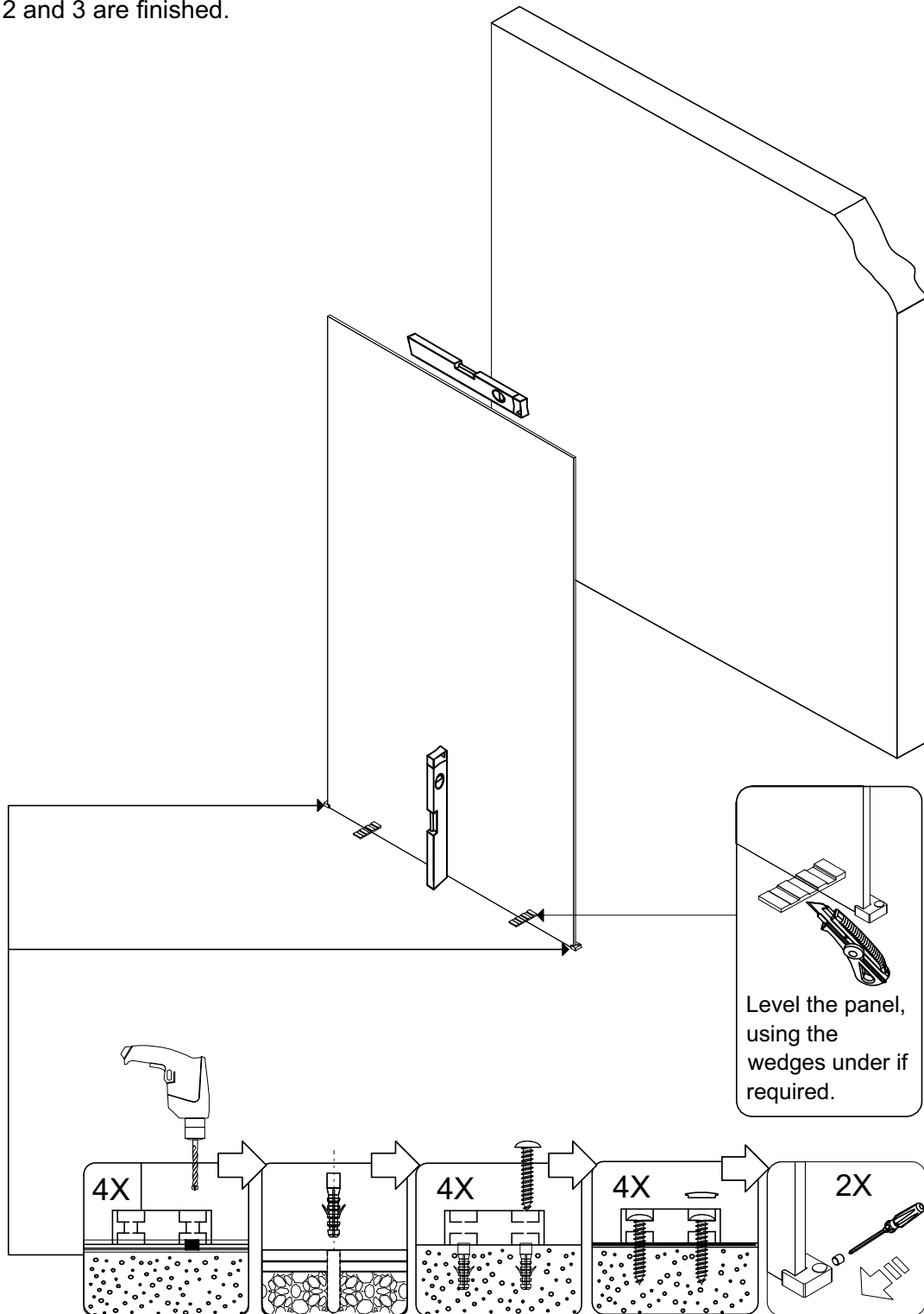
When commencing step 1 on the next page, please refer to this drawing to assist in the correct location of the components.



Step 1

Refer to drawing on page 3 for dimensions.

Install the glass and bottom brackets. The glass should go so that the side with the EZI Clean sticker faces the water source. Note that a second person will be required to hold the glass vertical until steps 2 and 3 are finished.

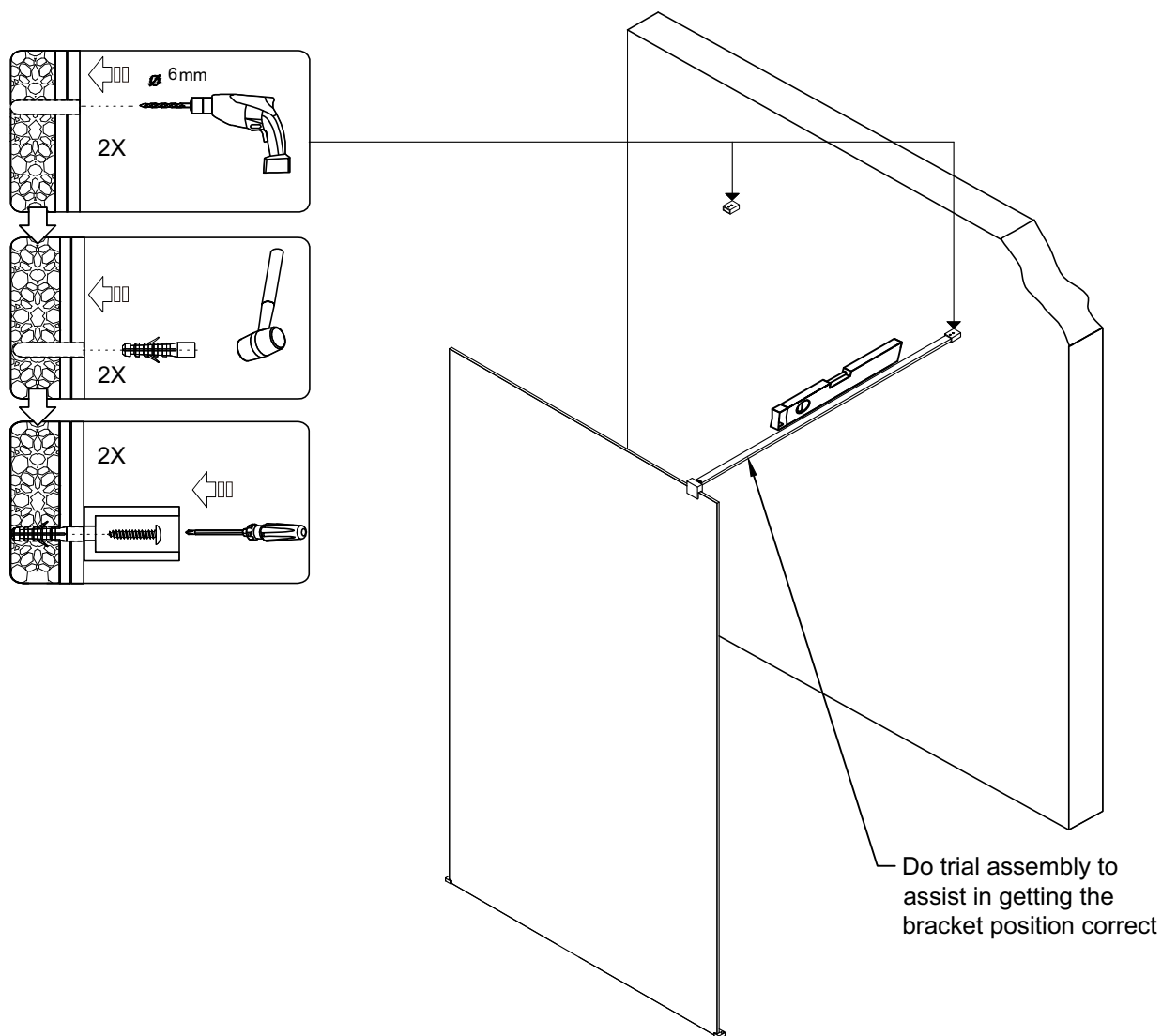


Note: Do not drill through the waterproof membrane.

Step 2

Refer to drawing on page 3 for dimensions.

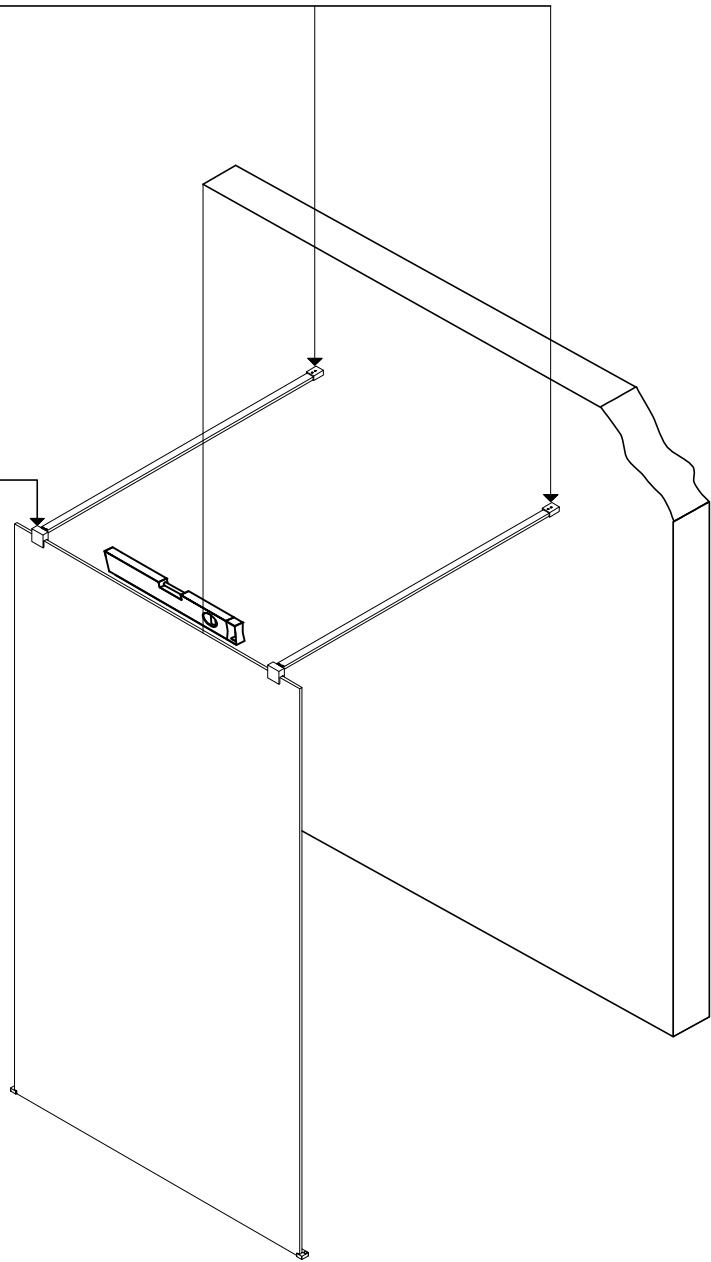
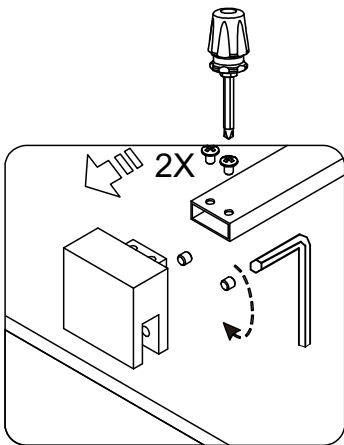
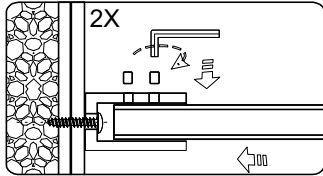
Install the top wall brackets so the top support bars will sit level when installed. A trial assembly of the top support assemblies will assist this.



Step 3

Do the final assembly of the top support system, making sure that there is a gasket between all glass and metal components.

If the panel is less than 1155mm from the wall and the support bar must be shortened with a hacksaw, remove the required amount from the end of the bar that does not have holes in it.



Step 4

Apply the silicone (not supplied) and wait for 24 hours before using the shower.

