

DECINA

DISCOVER INDULGENCE

RENEE BACK-TO-WALL RIMLESS TOILET SUITE INSTALLATION & OWNER GUIDE

Thank you for purchasing a Decina Renee Toilet Suite.

This manual provides the correct steps and care advice for a safe and long lasting installation.

The Renee's minimalist style & timeless design, has a classic look backed by the latest in innovation & functionality. This modern wall faced design sits flush against the wall to save space & makes cleaning easier.



RETSWFS 615 (d) x 380 (w) x 845 (h) (mm)

THIS PRODUCT MUST BE INSTALLED BY A QUALIFIED TRADESMAN



- ⚠ Before installing your new toilet, unpack & check the item is correct & not damaged. If there are any visible defects do not proceed with the installation & contact the place of purchase immediately. Any claims for damage will not be accepted after installation.
- ⚠ If the product has not been installed in accordance with AS/NZS 3500.1 and AS/NZS 3500.2 instructions, the warranty will be invalidated.
- ⚠ Check that the toilet is compatible with your current set out requirements. This toilet has a set out distance of 55-155mm for S Trap and 180mm for P Trap*.
- ⚠ This toilet comes with a S Trap Vario Bend. P Trap connection IS SOLD SEPARATELY.
- ⚠ Check that the floor and wall are level and perpendicular.
- ⚠ This product is configured as a left hand top inlet or can be reconfigured as right or left hand bottom inlet entry. An appropriate length flexible connector is sold separately.
- ⚠ This toilet is not suitable to be used with some offset collars and slab adapters.

*Decina Universal Adjustable Pan Connector (150-250mm) connector) **DEPCU**

SAFETY EQUIPMENT REQUIRED FOR INSTALLATION



Protective Clothing



Foot Protection



Eye Protection

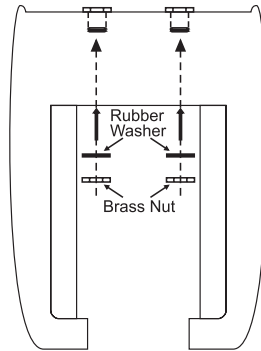


Hand Protection

INSTALLATION STEPS

STEP 1.

Install the brass spigots and rubber washers into the pan. Do not over tighten - leave loosely attached to enable flexible connection when fixing cistern to pan (Step 6).

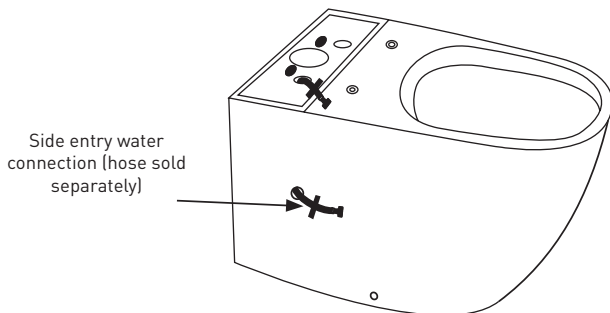


STEP 2. (SIDE ENTRY CONNECTION)

Install the bottom inlet valve to the cistern.

Feed a flexible connecting hose (sold separately) through the side entry and through the top of the pan.

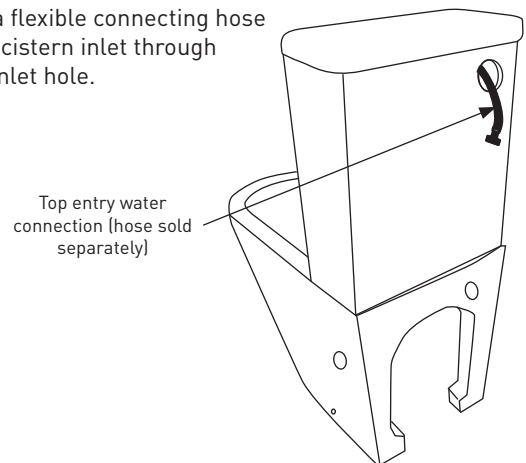
It's recommended that you tape it temporarily to hold the hose in position (as shown in the picture).



OR STEP 2. (TOP ENTRY CONNECTION)

Install the top inlet valve inlet valve to the cistern

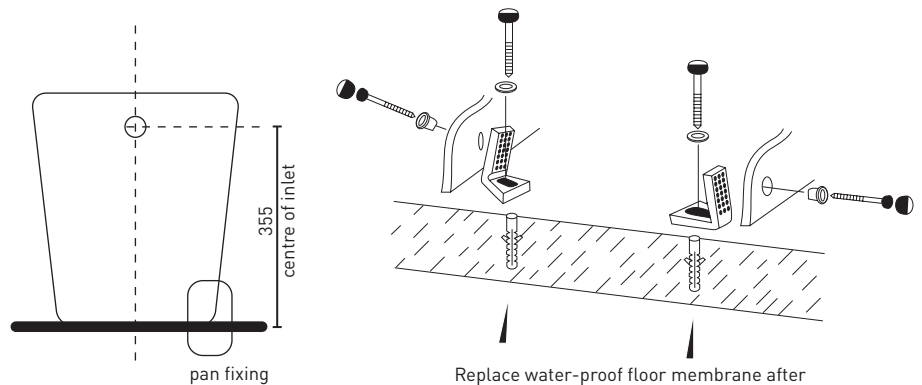
Feed a flexible connecting hose to the cistern inlet through back inlet hole.



STEP 3.

Measure and install the floor fixing kit (see instructions in kit).

DO NOT INSTALL the external locking SS screw at this stage.



Replace water-proof floor membrane after drilling. Alternatively, seal off holes

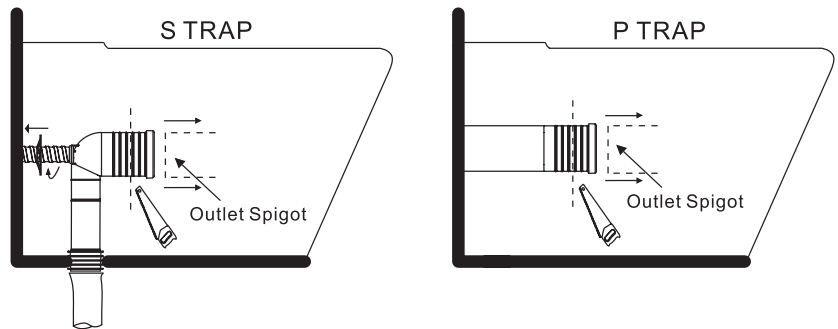
INSTALLATION STEPS

STEP 4.

Insert the Vario Bend onto the pan outlet spigot. If trimming is required work out the measurement and mark the cutting line.

Check the measurements and then cut the Vario Bend to the correct length.

Place rubber seal and cover over the front of the Vario Bend and install, ensure that the sewer connection is connected correctly and a good seal has been achieved.

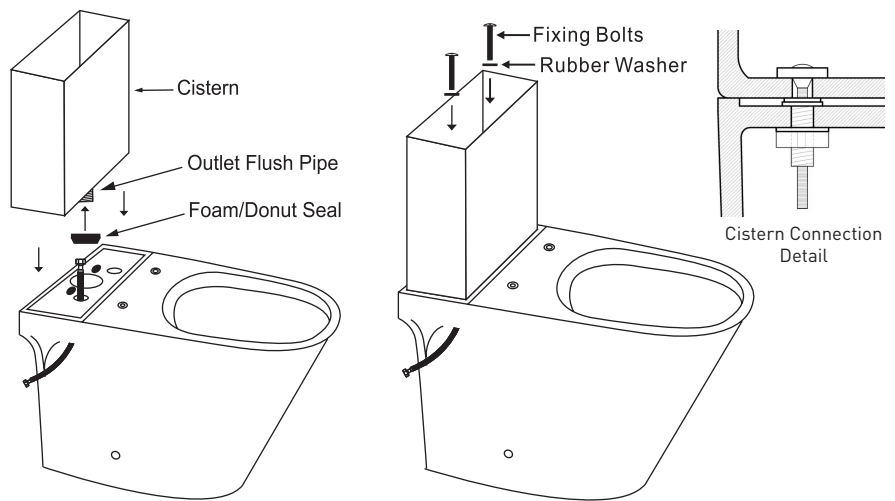


STEP 5. CISTERN CONNECTION

Ensure the foam/donut seal is placed over the outlet flush pipe on the base of the cistern.

Connect the water supply hose to the base of the cisterns inlet valve.

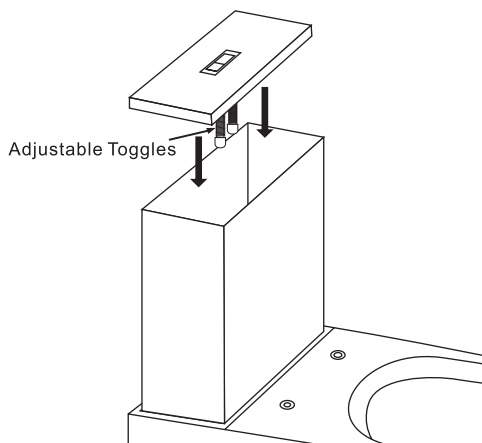
Connect the cistern and pan together and lock into place using the fixing bolts provided (the outlet flush valve can be removed to assist with the bolt assembly by turning it anti clockwise and then lifting it out).



STEP 6. INSTALL FLUSH BUTTONS

Install the flush buttons onto the cistern lid.

NOTE - Toggles to be adjusted by plumber to correct height (5mm above outlet valve).



STEP 7. INSTALL SEAT

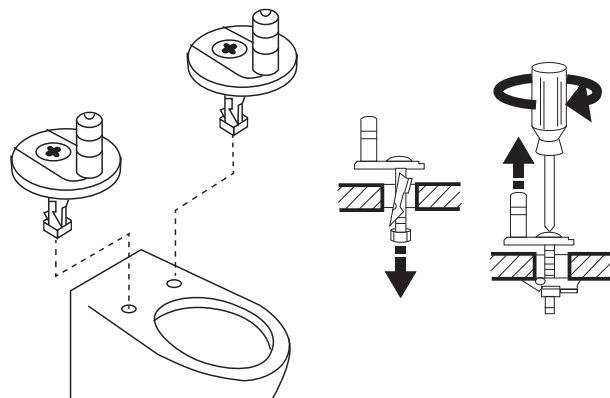
Insert the top fixing plugs into the seat bolt holes. Place the hinge blocks over the holes and loosely fit the screws.

Fit the seat onto the hinge pins and slowly allow the seat and cover to lower to the closed position. (Do Not Force the Seat Down)

Adjust the position of the seat to line up with the rim of the pan and tighten the seat fixing screws.

Lift the seat and cover to the open position and remove the seat from the hinge pins by depressing the two chrome buttons.

Place the stainless-steel covers over the hinge blocks and refit the seat to the hinge pins. Allow the seat to lower to the closed position.



MAINTENANCE

To maintain your Decina Toilet Suite for the longest possible period we recommend it is cleaned with a mild household detergent or warm soapy water and a soft cloth. Abrasive cleaners should be avoided on the toilet seat as this can remove the gloss surface. Ensure the seat hinges and bolts are regularly checked and tightened, as they can loosen over time. Avoid any hot, sharp or hard objects falling on to the plastic seat which can cause scratches and discolouration. The seat is resistant to most household products but some chemical products such as shave lotion, hair spray, nail polish and remover can stain the toilet seat and must be washed off immediately.

WARRANTY TERMS & CONDITIONS

All Decina products are manufactured to the highest standards and guaranteed to be free of defects, subject to the conditions outlined below. In addition to the statutory rights given under Australian Consumer Law, Decina offers the following extended warranty periods from the date of purchase or handover:

PARTS	WARRANTY	TERMS
Vitreous China Cistern & Pan	5 Years / 1 Year	Replacement products / Parts & labour
Seat, lid & hinges	1 Year	Replacement products or parts
Button assembly	1 Year	Replacement products or parts
Internal systems (valves)	1 Year	Replacement products or parts

Parts subjects to wear and tear i.e. Seals and rubbers are not covered by Warranty.

The Decina warranty is only applicable when the product has been installed by a qualified tradesman, in full accordance with the installation instructions and statutory requirements. The warranty specifically EXCLUDES damages discovered AFTER installation.

Decina's responsibility for claims relating to impact damage ceases within 48 hours after delivery to the Decina re-seller's store.

The extended warranties only apply to faults or defects in the product arisen solely from faulty materials or workmanship in the products and does not apply to other defects for example from; damage, abuse, neglect or changes to the product supplied.

The warranty only extends to the supply of a replacement product or credit to the value of the purchase and excludes consequential damage ensuing from the product application or use. The responsibility for the removal and replacement of the product is with the installer and/or owner. Where the manufacturer "Decina" accepts that the product is at fault, the maximum contribution to the removal and replacement costs will be \$500.

Repairs of the Products other than by a Decina accredited or licensed service agent or technician are not covered.

In addition to this extended warranty, certain legislation (including the ACL) may give you certain rights which cannot be excluded, restricted or modified, this extended warranty must be read subject to such legislation and nothing in this warranty has the effect of excluding, restricting or modifying those rights.

To make a warranty claim, please visit the Decina website decina.com.au/warranty-claim/ or email services@decina.com.au and attach the following documentation:

- Proof of purchase (original invoice from the supplier)
- Details of the warranty claim including the date of installation, installer's details and head contractors
- Your contact details

If the Product has not been installed, please contact Decina to inspect the Product. If the claim is accepted, the Product can be returned or exchanged. Note: The extended warranty only applies to the original owner and is not transferable. Decina reserves the right to charge a service fee for any staff called to attend premises where products have been installed and the warranty claim is not authorised.

Copyright Feb 2019. Decina Bathroomware Pty Ltd. ABN 39845 084 033

PLEASE LEAVE THIS MANUAL WITH THE END USER

DECINA
DISCOVER INDULGENCE

DECINA.COM.AU 1300 DECINA   

*Warranty T&Cs apply. All dimensions are nominal & subject to manufacturing tolerances & may vary +/-5mm therefore we strongly recommend installation does not occur until after delivery. Decina reserves the right to modify or change models without notice. Please confirm all particulars with your sales consultant prior to purchase. For further information and for warranty T&C's, please visit decina.com.au