

Novara Connector Toilet Suite

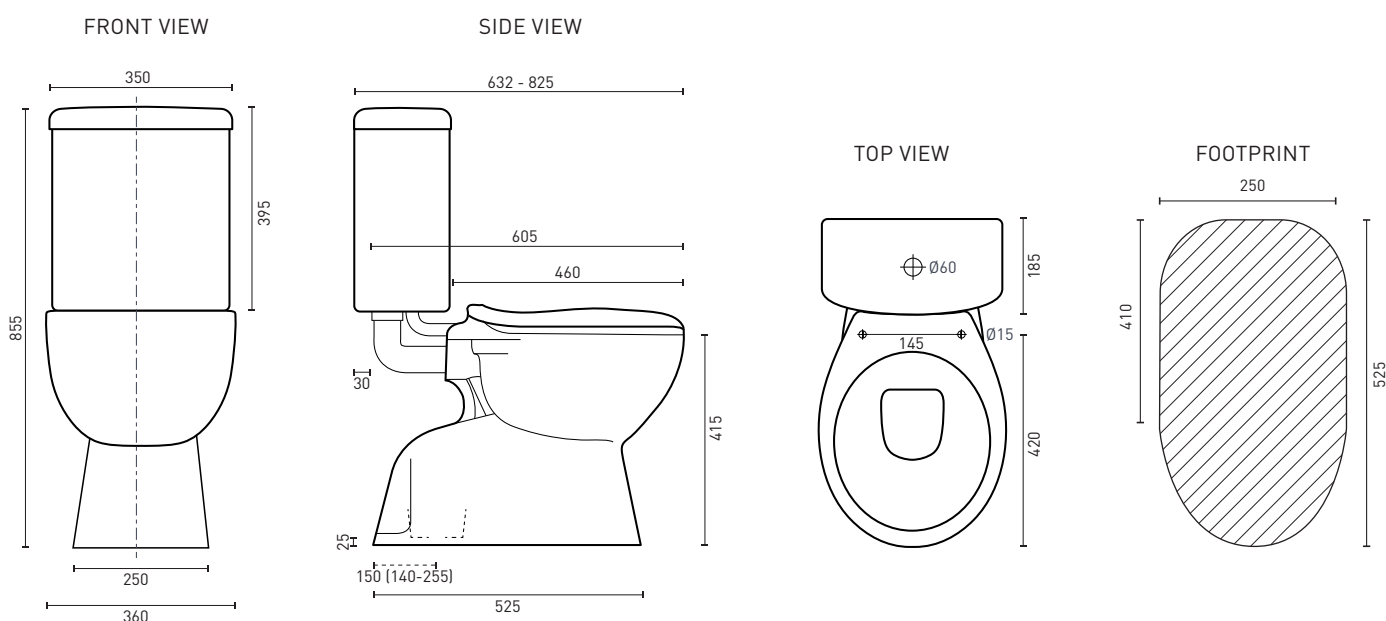
Product Code: **NOTSCOS**
Watermark Approval: **AS1172**



CISTERN & PAN

PRODUCT SPECIFICATIONS

- Item Colour:** White gloss
- Material:** Vitreous china cistern & pan
- Type:** Adjustable connector toilet suite [if a longer set-out is required, pan can be fitted away from the cistern, linked by a flush pipe]. Includes pipe, gasket & cover
- Depth:** 632mm - 825mm
- Width:** 350mm
- Height:** 855mm
- Pan Height:** 415mm
- Rim Type:** Box rim
- Buttons:** Chrome, dual flush round buttons
- Seat:** UF soft close seat with connector and flush pipe
- Trap Type:** Concealed S-trap Set Out 140-255mm
- Water Inlet:** Bottom inlet cistern right or left hand
- WELS-Rating:** WELS 4 Star - 4.5/3L (3.3L avg. flush)
- Warranty:** 10 years - cistern & pan / 1 year seat/lid & valves (refer to decina.com.au)



DECINA
DISCOVER INDULGENCE

DECINA.COM.AU 1300 DECINA

*Warranty T&Cs apply, visit decina.com.au Decina reserves the right to change specifications without notice. Due to manufacturing tolerances dimensions may vary +/- 5mm. We recommend installation does not start until after delivery. Please confirm all particulars prior to purchase, call 1300 DECINA or visit decina.com.au