

# AZZURO

INSET SHOWER BATH WITH TILE BEAD - Premium Sanitary Grade Acrylic, High Gloss White

Made in Australia

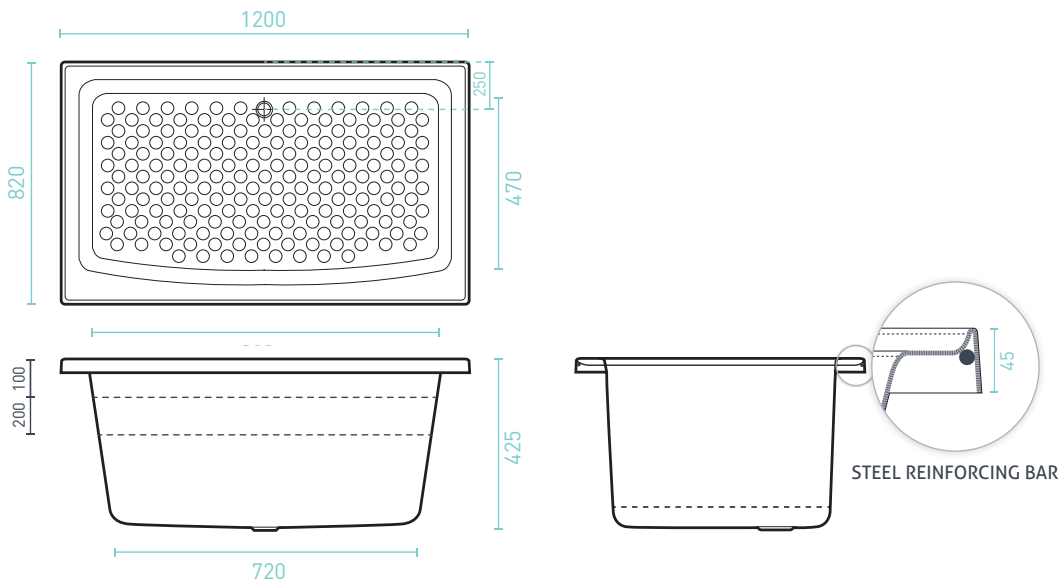
The Azzuro's compact size makes it water efficient & an ideal bath/shower bath for a small area where space is limited. While its slip resistant surface adds extra safety for those less mobile. Centre waste position.

✓ Slip resistant pattern



SIZE (l x (w) x (d) mm	CAPACITY*	NET WEIGHT	CODE
1200 x 820 x 425	116L	15.1kg	AZ1200WN

- 15 YR WARRANTY\*
- AS/NZ Standard 2023/1995
- Steel rod reinforced rim
- Double reinforced bath base



\*Capacity 200mm below the bath rim