

Azzuro Inset Shower Bath with tile bead

Product Code: **AZ1200WN**



MADE IN AUSTRALIA

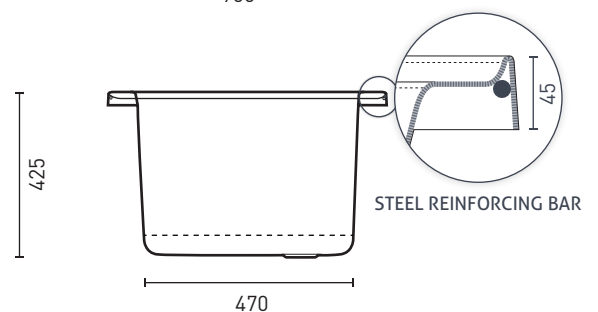
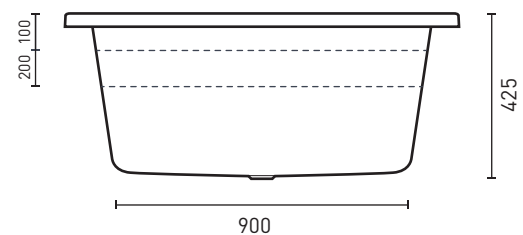
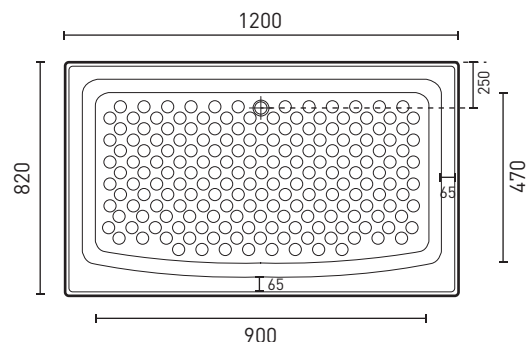
The Azzuro's compact size makes it water efficient & an ideal bath/shower bath for a small area where space is limited. Its slip resistant surface adds extra safety for those less mobile.

- AS/NZ Standard 2023/1995
- Tile bead
- Steel rod reinforced rim
- Double reinforced bath base
- Slip resistant base



PRODUCT SPECIFICATIONS

Colour:	High Gloss White
Material:	Premium sanitary grade acrylic
Length:	1200mm
Width:	820mm
Height:	425mm
Capacity:	116L [200mm below the bath rim]
Bath Type:	Inset
Waste Position:	Centre
Waste:	40mm [not supplied]
Overflow:	Available on request
Net Weight:	15.1kg
Warranty:	15 years* [refer to decina.com.au]



OPTIONAL ACCESSORIES

- 40mm Removable pop-up waste *Chrome* **WA001**
White Gloss **WA002**, *Black Matte* **WA003**
- Fiore Headrest - black **SY242-A-B**

DECINA
DISCOVER INDULGENCE

[DECINA.COM.AU](https://decina.com.au) 1300 DECINA

*Warranty T&Cs apply, visit decina.com.au Decina reserves the right to change specifications without notice. Due to manufacturing tolerances dimensions may vary +/- 5mm. We recommend installation does not start until after delivery. Please confirm all particulars prior to purchase, call 1300 DECINA or visit decina.com.au