

DECINA

DISCOVER INDULGENCE

CASCADE PIVOT PANEL BATH SHOWER SCREEN INSTALLATION MANUAL

Thank you for purchasing a Decina CASCADE Pivot Panel Bath Shower Screen **CAPPC**.

Your CASCADE Pivot Panel Bath Shower Screen is designed to fit Decina inset baths with a tile bead. It may be fitted to other baths including island baths without a tile bead however it may result in an insecure fitment. This Pivot Panel Bath Shower Screen is manufactured from clear 6mm toughened glass with chrome fittings. This manual provides the correct steps & care advice for a safe & long lasting installation.



THIS PRODUCT MUST BE INSTALLED BY A QUALIFIED TRADESMAN.

If installed on an island bath with no tile bead Decina will not warrant or take responsibility for any damage from water leaks in or around the screen but all other warranty T & C's apply.



- ❗ Unpack & check the item is correct & not damaged. If there are any visible defects do not proceed with the installation & contact the place of purchase immediately. **ANY CLAIMS FOR DAMAGE WILL NOT BE ACCEPTED AFTER INSTALLATION.**
- ❗ Ensure there is a gasket between glass & metal components.
- ❗ Leave the plastic protectors on the glass corners for as long as possible & handle with care.
- ❗ In cold climates, warming the gaskets & seals with hot water or a hairdryer will assist with the installation.
- ❗ A risk assessment should be completed prior to commencing the installation to ensure safe practices are followed for the manual handling of the fragile glass.

SAFETY EQUIPMENT REQUIRED FOR INSTALLATION



Protective Clothing



Foot Protection



Eye Protection



Hand Protection

TOOLS REQUIRED FOR INSTALLATION

ENSURE YOU HAVE ALL TOOLS FOR THE COMPLETE INSTALLATION BEFORE COMMENCING.



Drill



Silicone



Screwdrivers



Rubber Mallet



Pencil



1/4" (6mm) Drill Bit



1/8" (3mm) Drill Bit



Cutting Pliers



Tape Measure



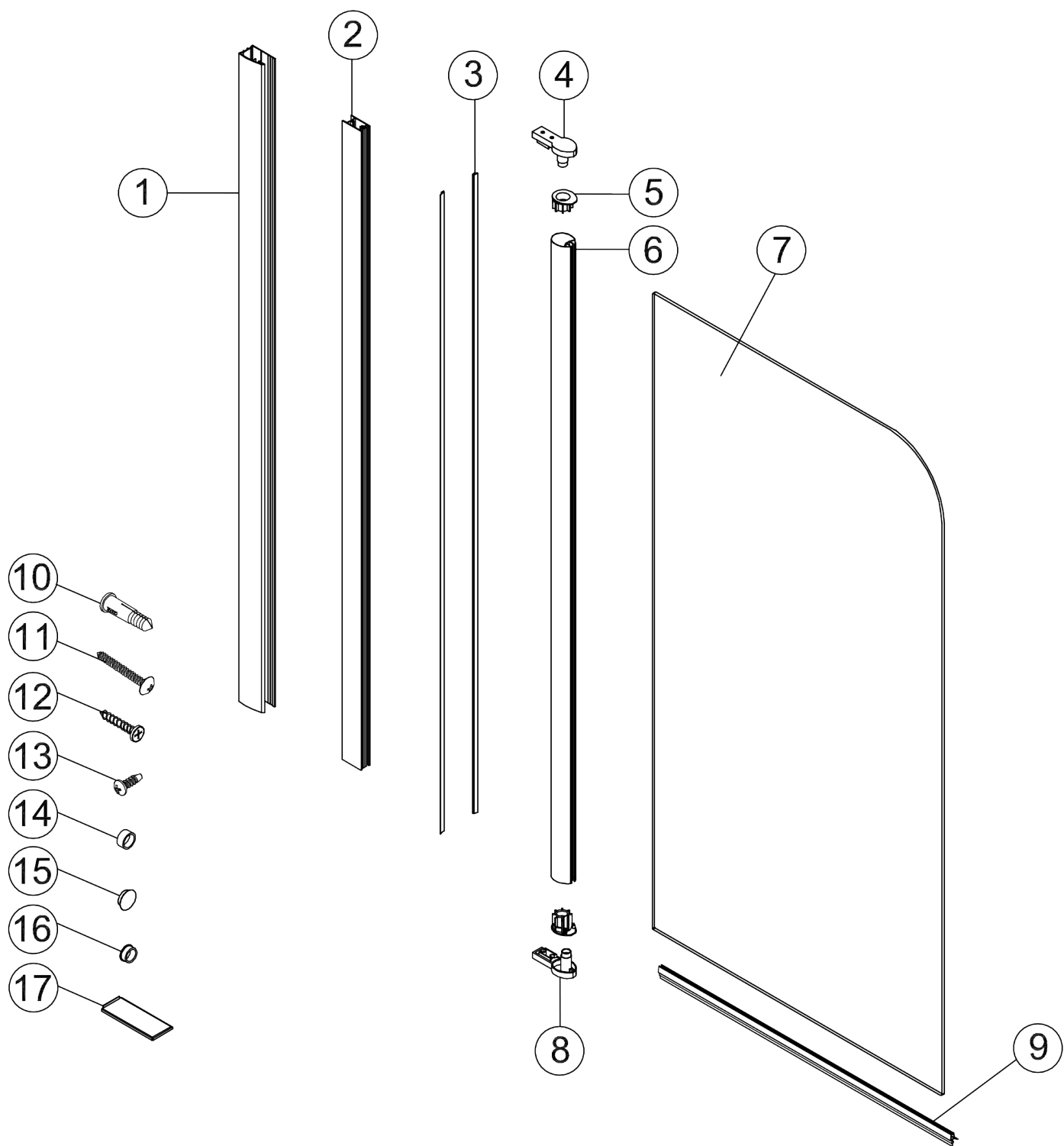
Level



Utility Knife

- Use the correct drill bit for the material being drilled. The 6mm drill bit is required for anchor fixing and the 3mm drill bit is required for screwing directly into the wall studs.
- With all toughened safety glass, take care while handling and wear safety glasses, protective clothing and gloves.

PARTS LIST



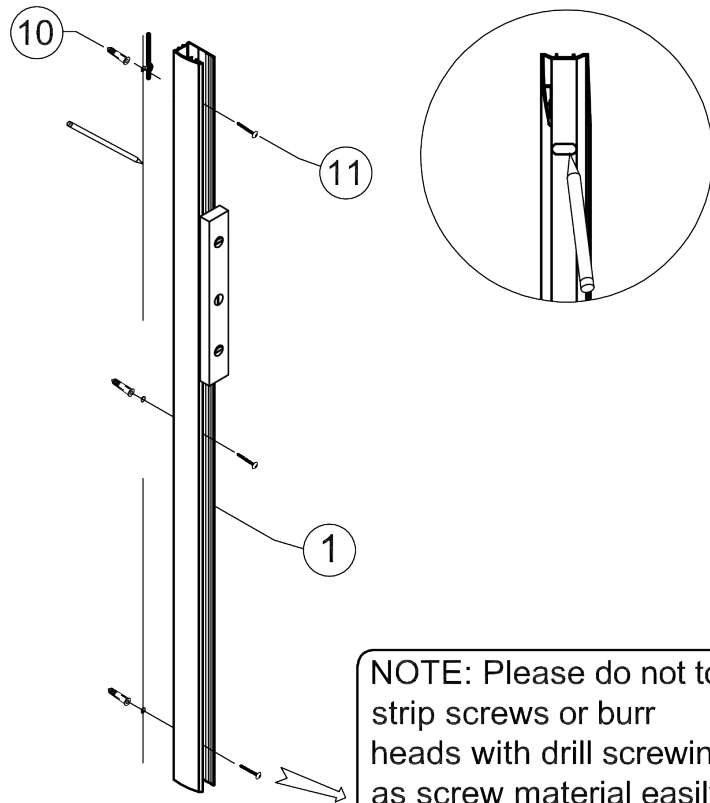
NO.	QTY	DESCRIPTION
1	1	Wall Jamb
2	1	Centre Jamb
3	2	Gasket
4	1	Top Pivot Block
5	2	Pivot Cap
6	1	Pivot Aluminium
7	1	Door
8	1	Bottom Pivot Block
9	1	Bottom Door Gasket

NO.	QTY	DESCRIPTION
10	3	Plastic Anchor
11	3	Screw 4 x 40mm
12	4	Screw 4 x 25mm
13	3	Screw 4 x 13mm
14	3	Plastic Washer
15	3	Screw Cover A
16	2	Screw Cover B
17	1 set	Flat Installation part

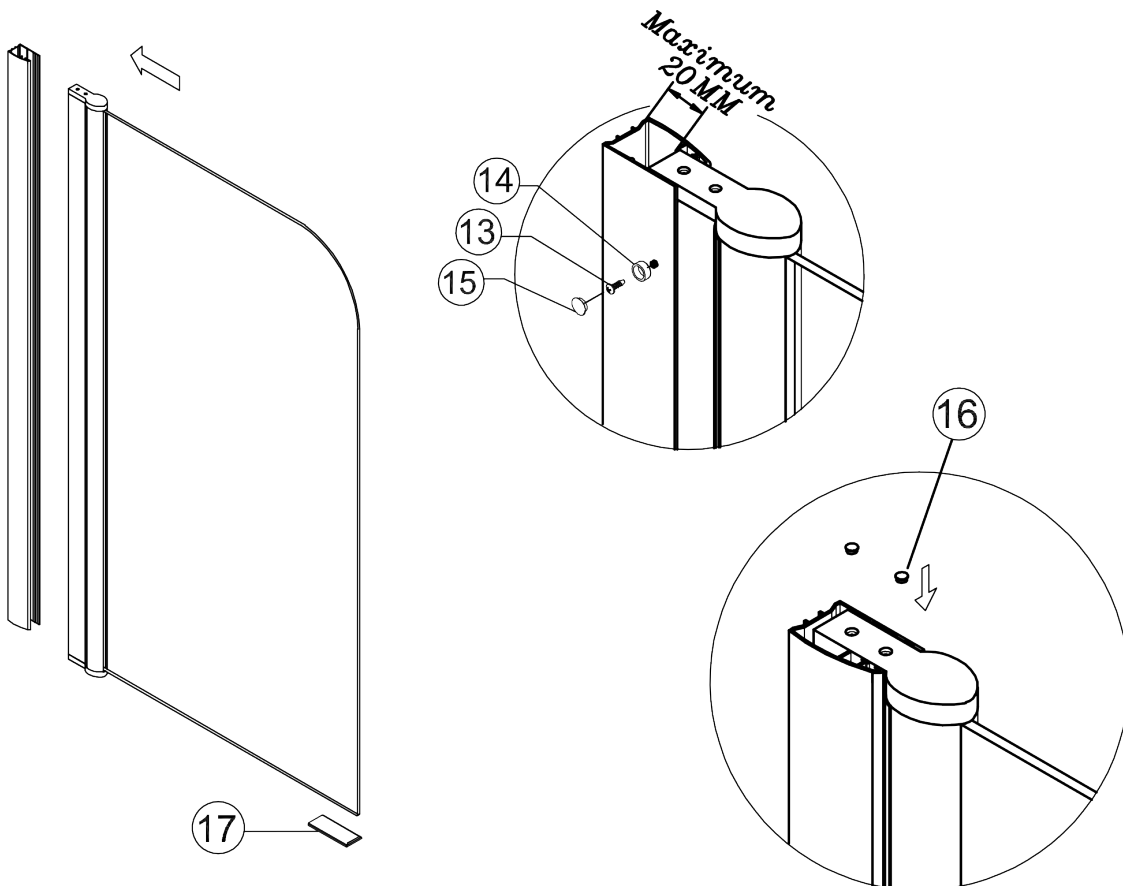
INSTALLATION STEPS

STEP 1.

Plastic Anchors supplied are only required for 'solid wall' applications. Otherwise 'other suitable' screws required for hollow wall or stud fix.

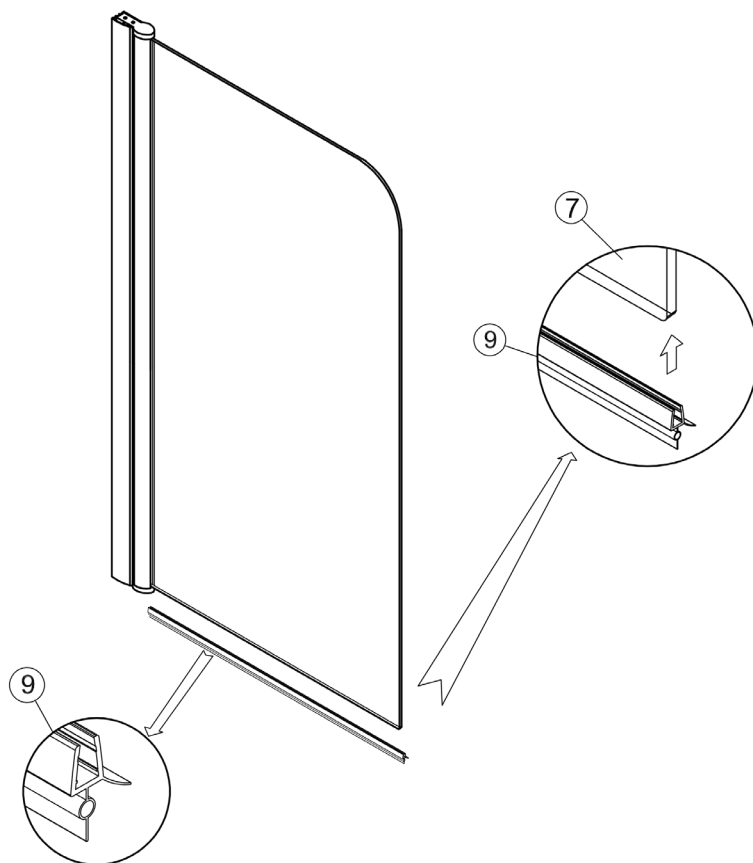


STEP 2.

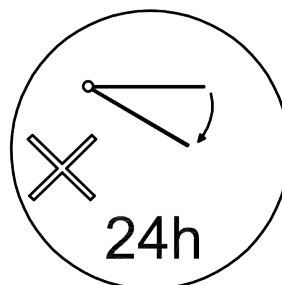
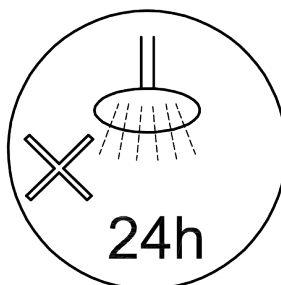
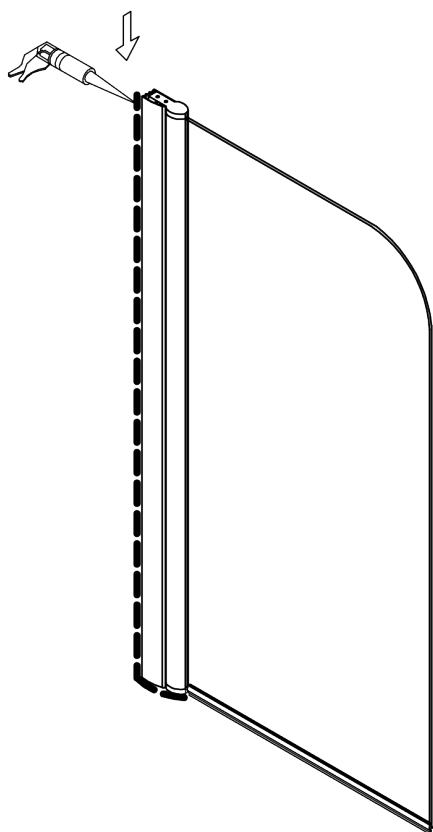


INSTALLATION STEPS

STEP 3.



STEP 4.



MAINTENANCE

The use of harsh or abrasive cleaners will cause deterioration of the EZI CLEAN glass coating. If water alone is not enough to clean the glass, Decina recommends the use of mild detergent solutions only.

WARRANTY TERMS & CONDITIONS

All Decina products are manufactured to the highest standards and guaranteed to be free of defects, subject to the conditions outlined below. In addition to the statutory rights given under Australian Consumer Law, Decina offers the following extended warranty periods from the date of purchase or handover:

PRODUCT	WARRANTY	TERMS
CASCADE Pivot Panel Bath Shower Screen	5 YEARS	Replacement Products or Parts

The Decina warranty is only applicable when the product has been installed by a qualified tradesman, on a suitable bath with a tile bead & in full accordance with the installation instructions & statutory requirements.

If installed on an island bath with no tile bead Decina will not warrant or take responsibility for any damage from water leaks in or around the screen but all other warranty T & C's apply.

The warranty specifically EXCLUDES damages discovered AFTER installation.

Decina's responsibility for claims relating to impact damage ceases within 48 hours after delivery to the Decina re-seller's store.

The extended warranties only apply to faults or defects in the product arisen solely from faulty materials or workmanship in the products and does not apply to other defects for example from; damage, abuse, neglect or changes to the product supplied.

The warranty only extends to the supply of a replacement product or credit to the value of the purchase and excludes consequential damage ensuing from the product application or use. The responsibility for the removal and replacement of the product is with the installer and/or owner. Where the manufacturer "Decina" accepts that the product is at fault, the maximum contribution to the removal and replacement costs will be \$500.

Repairs of the Products other than by a Decina accredited or licensed service agent or technician are not covered.

In addition to this extended warranty, certain legislation (including the ACL) may give you certain rights which cannot be excluded, restricted or modified, this extended warranty must be read subject to such legislation and nothing in this warranty has the effect of excluding, restricting or modifying those rights.

To make a warranty claim, please visit the Decina website decina.com.au/warranty-claim/ or email services@decina.com.au and attach the following documentation:

- Proof of purchase (original invoice from the supplier)
- Details of the warranty claim including the date of installation, installer's details and head contractors
- Your contact details

If the Product has not been installed, please contact Decina to inspect the Product. If the claim is accepted, the Product can be returned or exchanged. Note: The extended warranty only applies to the original owner and is not transferable. Decina reserves the right to charge a service fee for any staff called to attend premises where products have been installed and the warranty claim is not authorised.

Copyright March 2020. Decina Bathroomware Pty Ltd. ABN 39845 084 033

PLEASE LEAVE THIS MANUAL WITH THE END USER

DECINA
DISCOVER INDULGENCE

DECINA.COM.AU 1300 DECINA



All dimensions are nominal & subject to manufacturing tolerances & may vary +/-5mm, therefore we strongly recommend installation does not occur until after delivery. Decina reserves the right to modify or change models without notice. For further information and for warranty T&C's, please visit decina.com.au