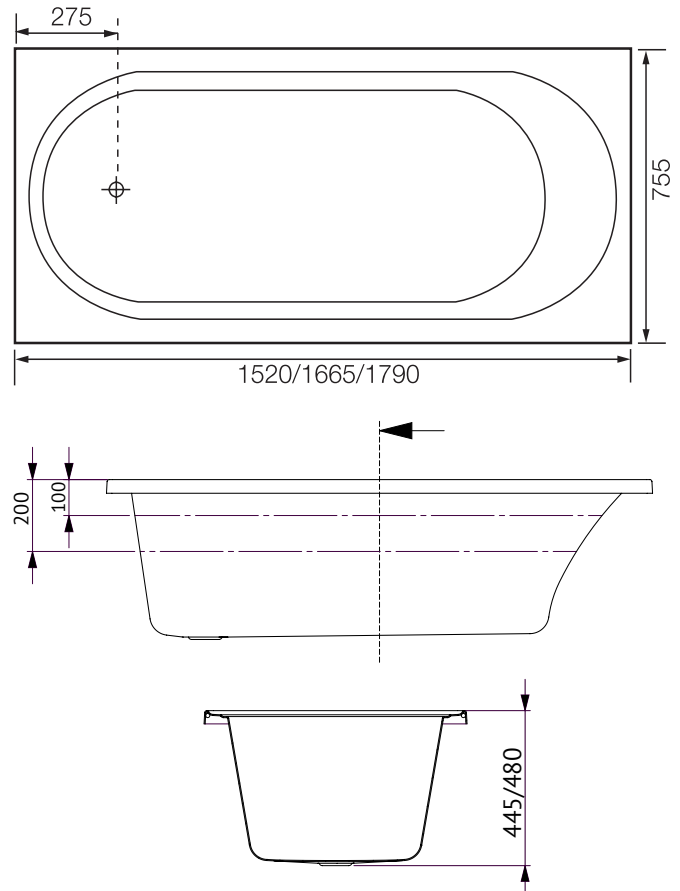


TURIN

Santai Spa Bath



TURIN SANTAI 10 JET SPA BATH

There has been a distinct movement back to the elegant, simple lines of yesterday. Form and function combine to provide a variety of bather sizes.

SIZES (l)x(w)x(h)

- *TU1520SAN10JW* ~ 1520 x 755 x 445 (mm)
- *TU1675SAN10JW* ~ 1665 x 755 x 445 (mm)
- *TU1790SAN10JW* ~ 1790 x 755 x 480 (mm)

CAPACITY* & NET WEIGHT

- *1520mm* ~ 121 litres 34.0 kg
- *1665mm* ~ 138 litres 36.0 kg
- *1790mm* ~ 153 litres 39.0 kg

*200mm below bath rim

WARRANTY:

- Ten year warranty -
Conditions apply please see website for details

KEY FEATURES

- Inset bath with tile bead
- Made in Australia
- Made to AS/NZ Standard: AS3861/1991
- Manufactured from premium sanitary grade acrylic
- High gloss white
- Lumbar support
- Water pressure adjustable jets
- End waste position

SPA CONFIGURATION

- 750 watt auto heat boost pump
- Mod Power Button
- Mod Air Control (x2)
- Mod Mini Jet (x4)
- Mod Centro Jet (x6)
- Mod Suction

ACCESSORIES

- EZI Frame
- Sienna Headrest
- Overflow