

Installation Manual

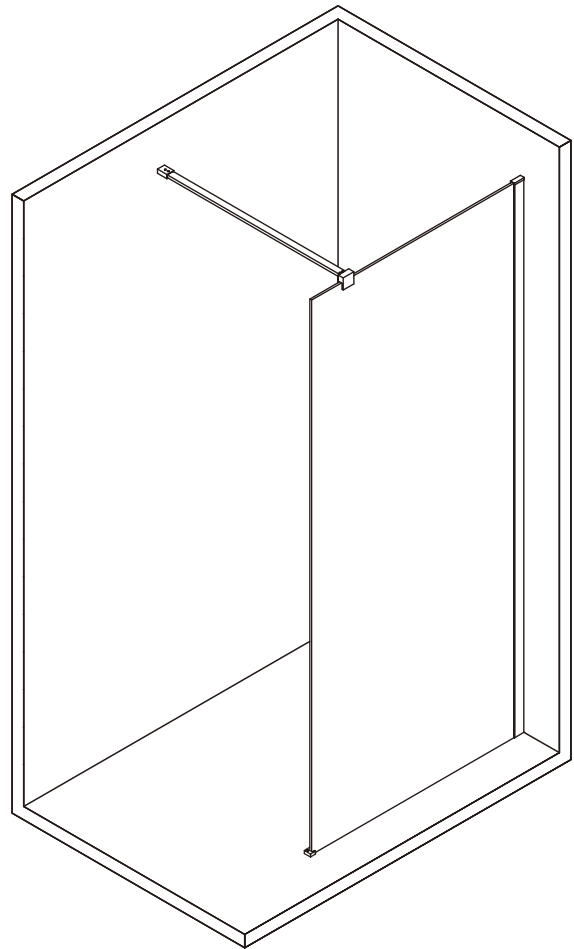
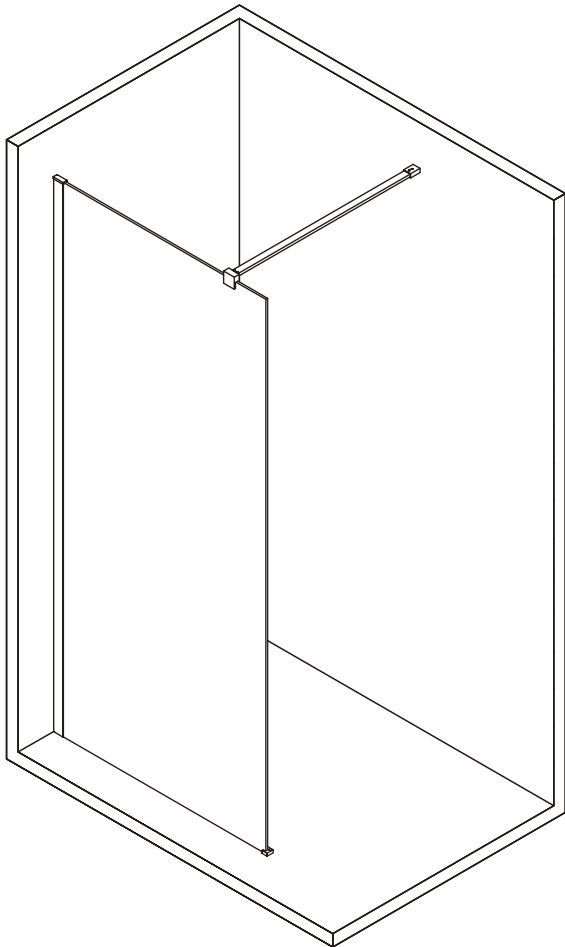
MSP860

MSP960

MSP1160



M-Series Shower Panel Wall Mount
with Decina's Exclusive EziClean Coating



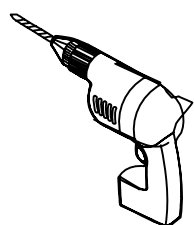
Important Pre-Installation Information

- Please read this entire instruction booklet before commencing installation.
- A licenced tradesman must be used for the installation.
- Ensure there is a gasket between all glass and metal components.
- Leave the plastic protectors on the glass corners until the last possible moment.
- Instructions to install the shower tray are included with the shower tray.
- In cold climates, warming the gaskets and seals with hot water or a hairdryer will assist installation.
- The EziClean coating is only on one face. This face will have a sticker on it to identify it. This side must be installed on the wet side of the shower.

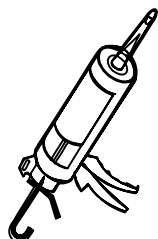
Maintenance

- The use of harsh or abrasive cleaners will cause deterioration of the EziClean coating. If water alone is not enough to clean the glass, Decina recommends the use of mild detergent solutions only.

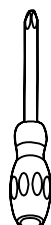
Tools Required



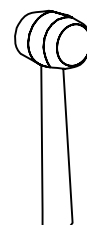
DRILL



SILICONE



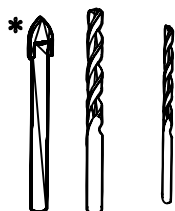
SCREWDRIVERS



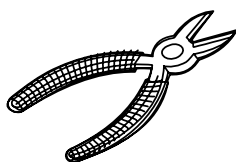
MALLET



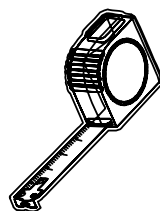
PENCIL



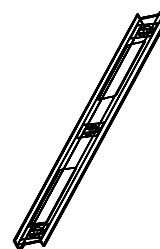
1/4" & 1/8" DRILL BITS



CUTTING PLIER



TAPE MEASURE



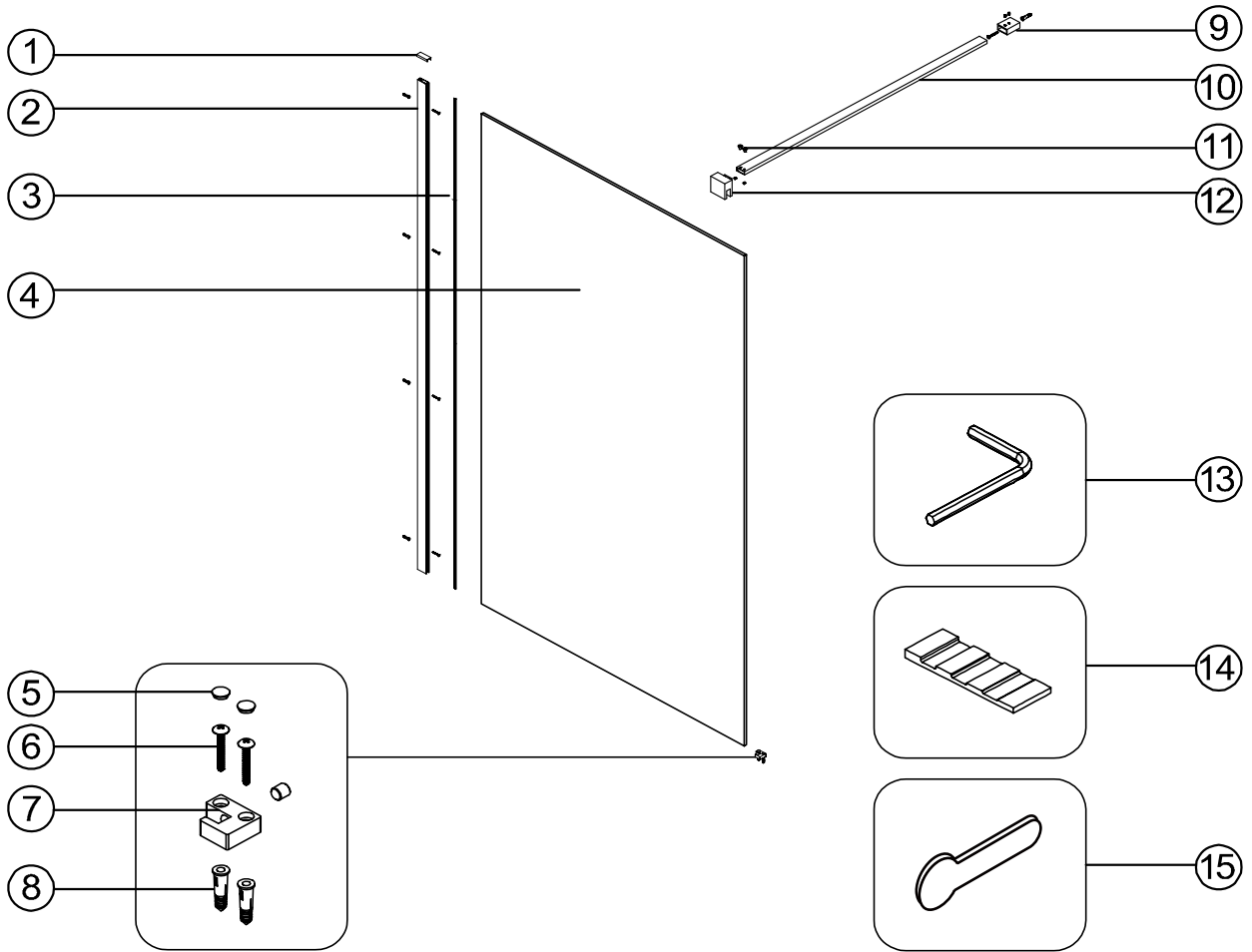
LEVEL



UTILITY KNIFE

** Use the correct type of drill bit for the material being drilled, with 6mm used for anchor fixing and 3mm used for screwing directly into the wall studs.*

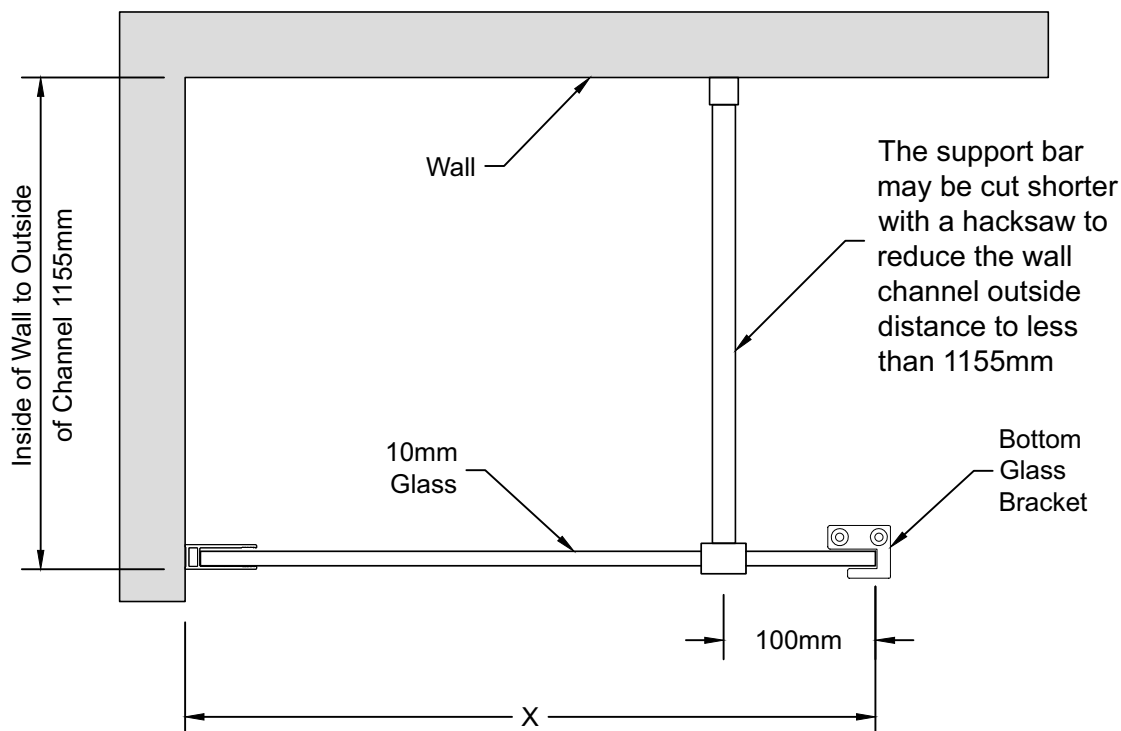
Parts List



Part	DESCRIPTION	Qty
1	Channel Cap	1
2	Wall Channel	1
3	Wall Channel Gasket	1
4	Glass	1
5	Screw Cover	2
6	Phillip Head Screw 4 x 40mm	9
7	Bottom Glass Bracket	1
8	Wall Anchor	9
9	Top Wall Bracket	1
10	Top Support Bar	1
11	Phillips Head Screw 4 x 6mm	2
12	Top Glass Bracket	1
13	2.5mm Allen Key	1
14	Glass Wedge Spacer	2
15	Gasket Insertion Wheel	1

Determining Layout

When commencing step 1 on the next page, please refer to this drawing to assist in the correct location of the components.

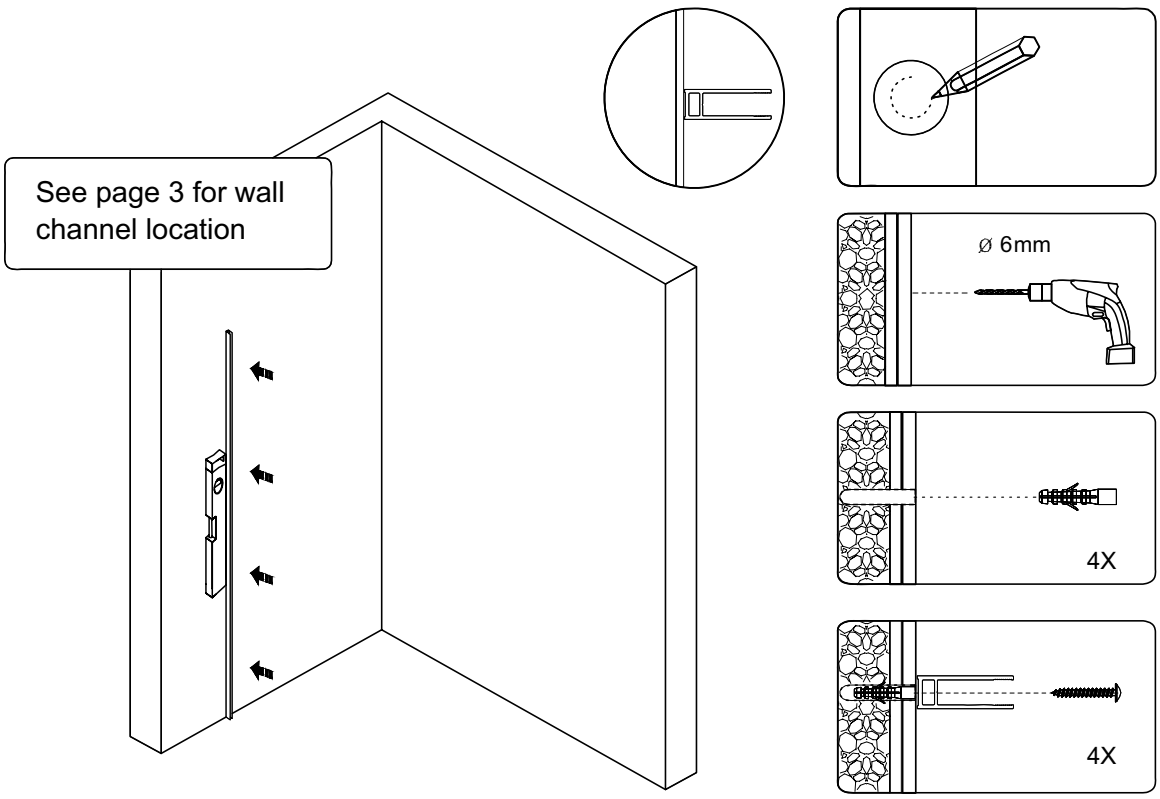


- For the dimension marked 'X' above, find the model that you have in the left column of the table below. The value for 'X' is in the right column beside it.

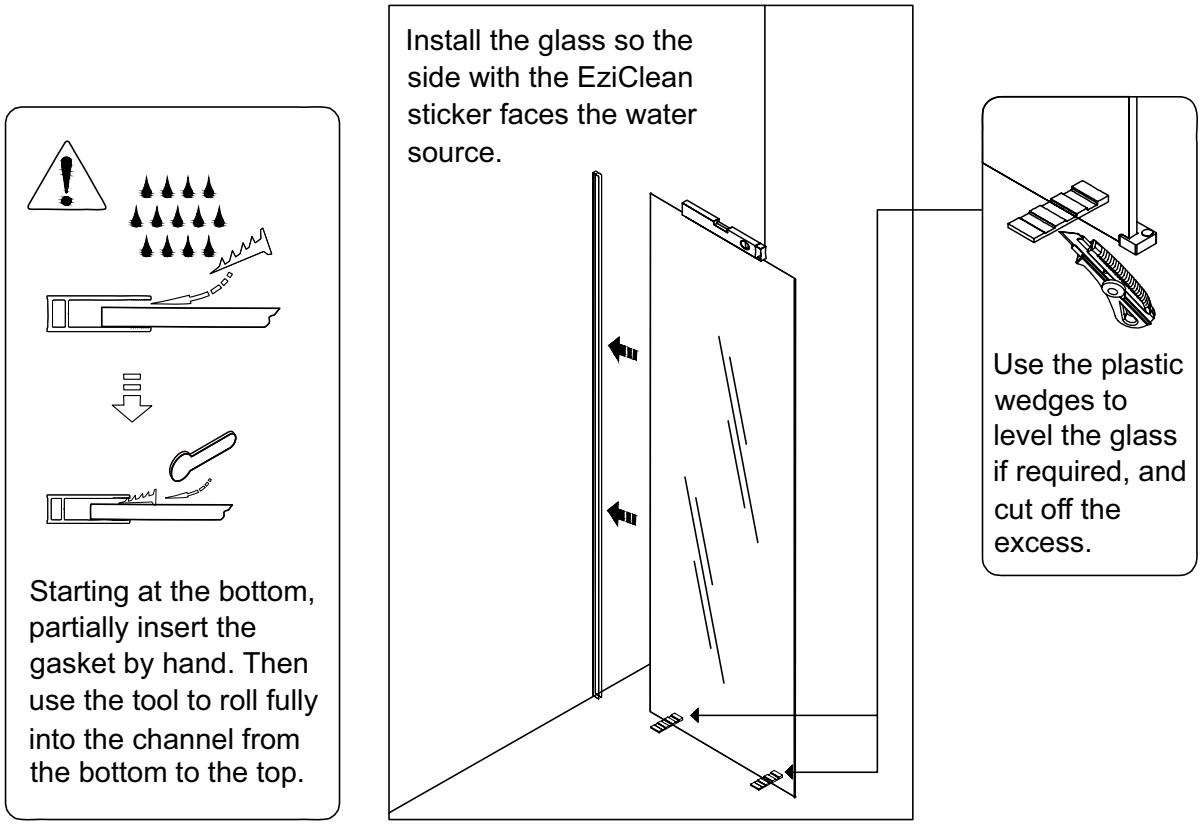
W860	860mm
W960	960mm
W1160	1160mm

- Measure for the location of the wall channel from the inside of the shower wall. If a shower base is fitted, do not measure from the edge of the shower base to determine the position of the wall channel.
- If your wall and shower base are not at right angles, the glass will not push fully into the wall channel at either the top or bottom. This misalignment is acceptable if not exceeding 15mm, however the overall shower size will then increase by the amount of this misalignment.

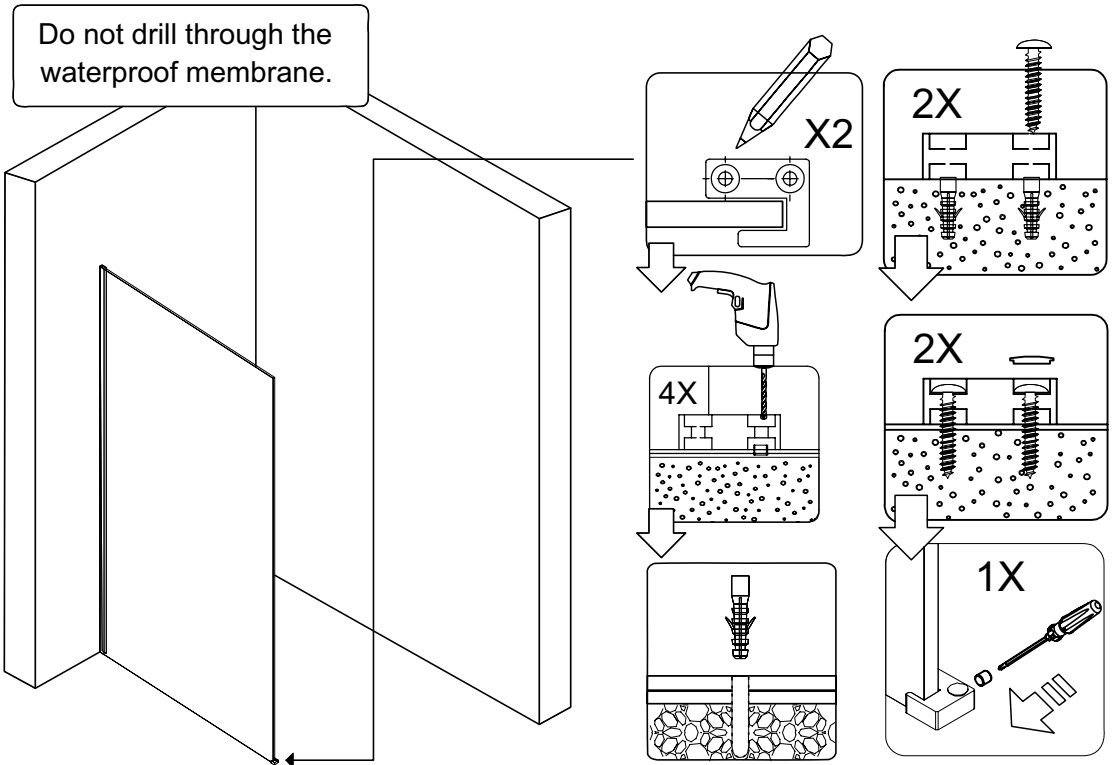
1 Wall Channel Installation



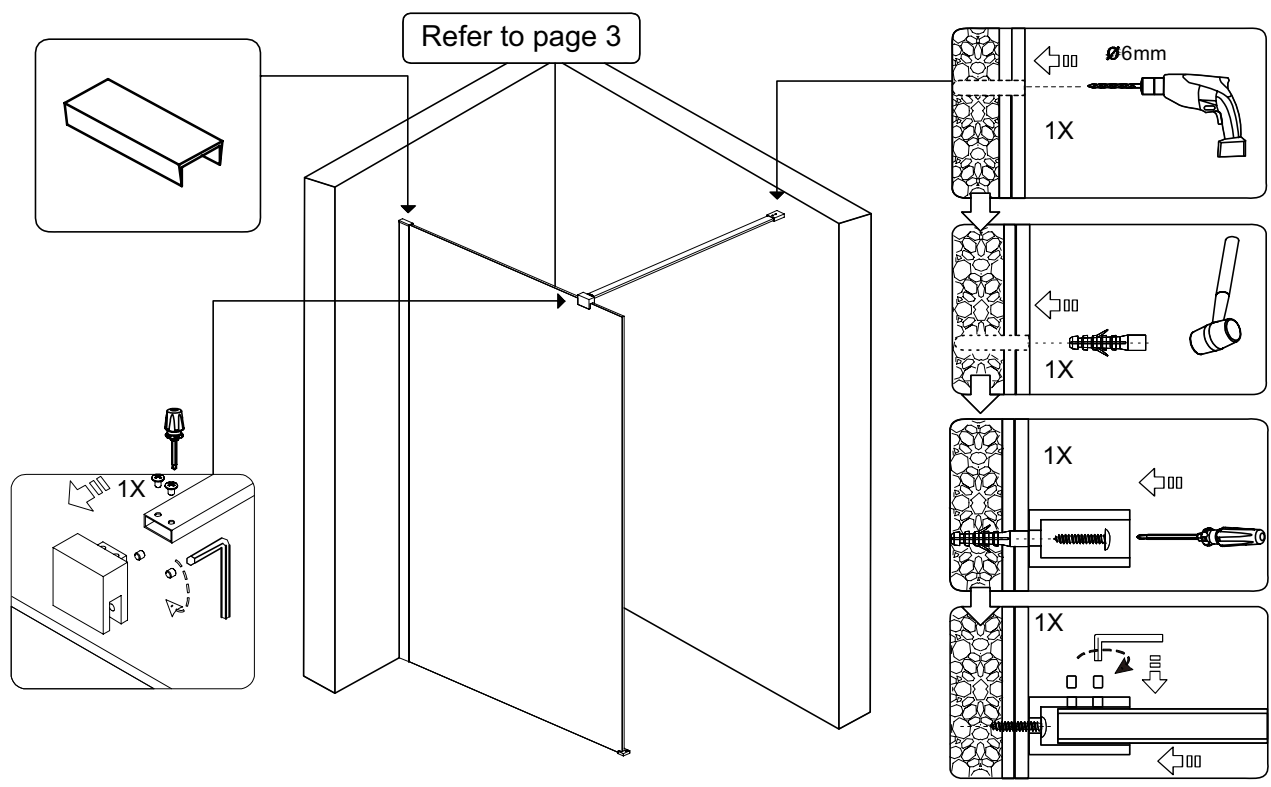
2 Glass Installation



3 Bottom Bracket Installation



4 Brace Installation



5 Caulking

Apply silicone (not supplied) to the outside of the glass/floor transition and allow to cure for 24 hours before using the shower.

