

TURIN

Made in Australia

INSET BATH/SPA BATH WITH TILE BEAD - Premium Sanitary Grade Acrylic, High Gloss White

The Turin's elegant, simple lines create the perfect balance of form & function. Additionally this bath base has been reinforced with a resin & fiberglass coating for superior sturdiness & durability. *End waste position.*

- Molded arm rests
- Lumbar support
- Suitable for dual bathing
- Slip resistant pattern



TURIN BATH

SIZE (l) x (w) x (d) mm	CAPACITY*	NET WEIGHT	CODE
1520 x 755 x 445	121L	19kg	TU1525W
1665 x 755 x 445	138L	21kg	TU1675W
1790 x 755 x 485	153L	25.5kg	TU1800W



- 15 YR WARRANTY*
- AS/NZ Standard 2023/1995
- Steel rod reinforced rim
- Double reinforced bath base



TURIN SANTAI SPA BATH ● 10 JETS

SIZE (l) x (w) x (d) mm	CAPACITY*	NET WEIGHT	CODE
1520 x 755 x 445	121L	34kg	TU1520SAN10JW
1665 x 755 x 445	138L	36kg	TU1665SAN10JW
1790 x 755 x 485	153L	39kg	TU1790SAN10JW

- 10 YR WARRANTY* - SPA SHELL
- 6 x low profile Mod centro jets
- 5 YR WARRANTY* - PUMP, JETS & FITTINGS
- 4 x low profile Mod mini jets
- AS/NZ Standard AS3861/1991
- 1 x low profile Mod suction
- Steel rod reinforced rim
- 1 x Mod power button (rim mounted)
- Double reinforced bath base
- 2 x Mod air controls (rim mounted)
- 750 watt auto heat boost pump



TURIN CONTOUR SPA BATH ●● 12 JETS

SIZE (l) x (w) x (d) mm	CAPACITY*	NET WEIGHT	CODE
1520 x 755 x 445	121L	34kg	TU1520CNSPAWC
1665 x 755 x 445	138L	36kg	TU1665CNSPAWC
1790 x 755 x 485	153L	39kg	TU1790CNSPAWC

- 10 YR WARRANTY* - SPA SHELL
- 6 x flush C-Lenda™ centro jets
- 5 YR WARRANTY* - PUMP, JETS & FITTINGS
- 6 x flush C-Lenda™ mini jets
- AS/NZ Standard AS3861/1991
- 2 x flush C-Lenda™ air controls
- Steel rod reinforced rim
- 1 x flush C-Lenda™ suction
- Double reinforced bath base
- 1 x Sensa-Touch pad control (rim mounted)
- 750 watt 3-stage heat boost pump



TURIN DOLCE VITA SPA BATH ●●● 16 JETS

SIZE (l) x (w) x (d) mm	CAPACITY*	NET WEIGHT	CODE
1665 x 755 x 445	138L	66kg	TU1675DVSPAWC
1790 x 755 x 485	153L	69kg	TU1790DVSPAWC

- 10 YR WARRANTY* - SPA SHELL
- 6 x adjustable flush C-Lenda™ centro jets
- 5 YR WARRANTY* - PUMP, JETS & FITTINGS
- 10 x adjustable flush C-Lenda™ mini jets
- AS/NZ Standard AS3861/1991
- 2 x flush C-Lenda™ air controls
- Steel rod reinforced rim
- 1 x flush C-Lenda™ suction
- Double reinforced bath base
- Spa Key remote control
- 1100 watt spa key heat boost pump

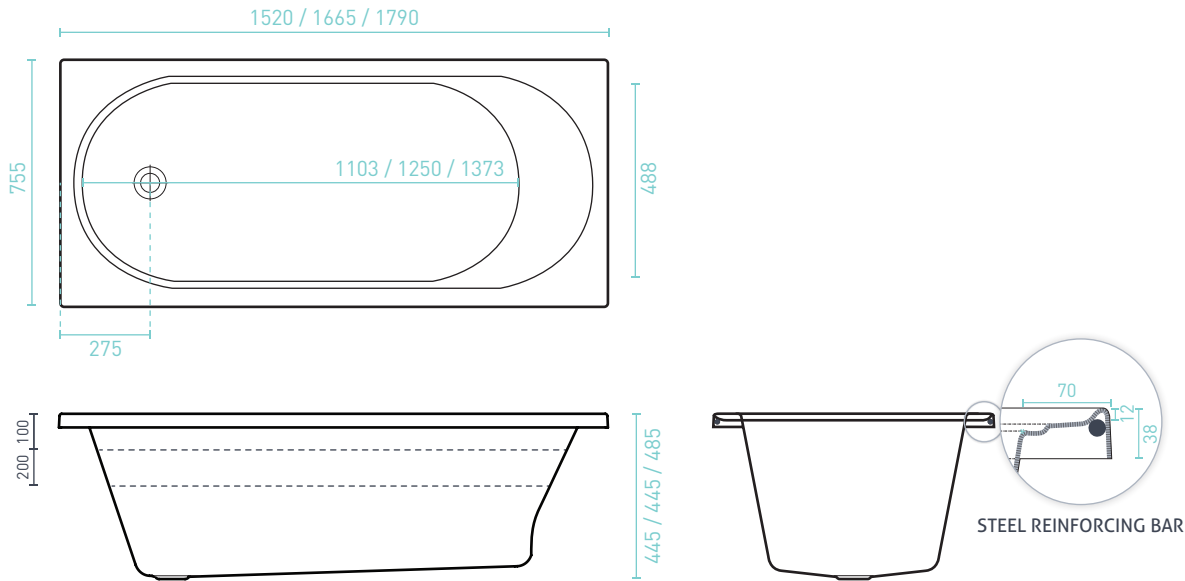
Available with Chrome, White or Black jets



TURIN ACCESSORIES	BATH	SANTAI SPA BATH	CONTOUR SPA BATH	DOLCE VITA SPA BATH
EZI Frame/Base Support Frame	Optional	Optional	Optional	✓
Sienna Headrests Black/White	Optional	Optional	✓ x 1	✓ x 1
Overflow	Optional	Optional	Optional	Optional
Plug & Waste	Optional	Optional	Optional	Optional

TURIN

INSET BATH/SPA BATH WITH TILE BEAD - Premium Sanitary Grade Acrylic, High Gloss White



SPA BATH ORDER FORM

Spa baths made to order on receipt of order form. Please allow 15 working days for completion & dispatch. We recommend filling out your SPA BATH ORDER FORM with your qualified spa bath installer.

COMPANY & BRANCH: _____ PHONE NO: _____
 CONTACT: _____ ORDER NO: _____ DATE: _____

MODEL: _____	SIZE: _____	QTY: _____	RANGE SANTA <input type="checkbox"/> CONTOUR <input type="checkbox"/> DOLCE VITA <input type="checkbox"/>
SANTAI SPA BATH UPGRADE OPTIONS		PUMP UPGRADE - Sensa-Touch Pad Control 3-Stage Heat (RRP \$425) <input type="checkbox"/>	
PUMP UPGRADE - Manual Xtra-Heat Boost Pump (RRP \$215) <input type="checkbox"/>	EZI FRAME - Supplied <input type="checkbox"/> Factory Fitted <input type="checkbox"/>	BASE SUPPORT FRAME - Factory Fitted <input type="checkbox"/> Overflow <input type="checkbox"/>	
HEADRESTS - White QTY: _____ Black QTY: _____ (RRP \$99 each)			
CONTOUR SPA BATH UPGRADE OPTIONS		BASE SUPPORT FRAME - Factory Fitted <input type="checkbox"/> Overflow <input type="checkbox"/>	
EZI FRAME - Supplied <input type="checkbox"/> Factory Fitted <input type="checkbox"/>	HEADREST COLOUR - White <input type="checkbox"/> Black <input type="checkbox"/>		
DOLCE VITA SPA BATH OPTIONS		HEADREST COLOUR - White <input type="checkbox"/> Black <input type="checkbox"/>	
JET COLOUR - Chrome <input type="checkbox"/> White <input type="checkbox"/> Black <input type="checkbox"/>			
SPA PUMP NOTES			
1. The Spa Pump does not fit directly underneath the baths perimeter		2. The Spa Pump should be easily accessible for maintenance	
3. Waste positions can not be changed		4. The Spa Pump controls will always be at the front, unless indicated below	
PLEASE INDICATE ON THE DIAGRAMS BELOW: (please refer to the technical drawings before choosing your pump position)			
SHOWER HEAD POSITION (if applicable) The Spa Pump controls CAN NOT be on the same end as the shower head.		SPA PUMP POSITION (300mm of pipework is supplied) The recommended max. distance between the bath & spa pump is 1.2 metres. Is the distance between the bath and the spa pump over 300mm YES <input type="checkbox"/> NO <input type="checkbox"/> If YES how much extra pipework is required _____	
<p style="text-align: center;">FRONT</p>		<p style="text-align: center;">FRONT</p>	

CUSTOMER NAME: _____ CUSTOMER SIGNATURE: _____
 CUSTOMER EMAIL: _____ CUSTOMER PHONE NO: _____

*Whilst every effort is made to adhere to published jet & fittings positions, variation to specifications may occur without notice.