

# ANGELIQUE

INSET BATH/SPA BATH WITH TILE BEAD - Premium Sanitary Grade Acrylic, High Gloss White

Made in Australia

The Angelique's timeless design features generous depth & additional features such as arm rests & ergonomic lumbar support that set the benchmark in corner bath design. *Centre waste position.*

✓ Molded arm rests

✓ Lumbar support

✓ Suitable for dual bathing

☒ Slip resistant pattern



## ANGELIQUE BATH

SIZE (l) x (w) x (d) mm	CAPACITY*	NET WEIGHT	CODE
1295 x 1295 x 480	179L	20.3kg	<b>AN1295W</b>
1465 x 1465 x 480	259L	24.5kg	<b>AN1465W</b>



- 15 YR WARRANTY\*
- AS/NZ Standard 2013/1995
- Steel rod reinforced rim
- Double reinforced bath base

## ANGELIQUE SANTAI SPA BATH ● 12 JETS

SIZE (l) x (w) x (d) mm	CAPACITY*	NET WEIGHT	CODE
1295 x 1295 x 480	179L	25.3kg	<b>AN1295SAN12JW</b>
1465 x 1465 x 480	259L	45kg	<b>AN1465SAN12JW</b>



- 10 YR WARRANTY\* - SPA SHELL
- 5 YR WARRANTY\* - PUMP, JETS & FITTINGS
- AS/NZ Standard AS3861/1991
- Steel rod reinforced rim
- Double reinforced bath base
- 6 x low profile Mod centro jets
- 6 x low profile Mod mini jets
- 1 x low profile Mod suction
- 1 x Mod power button (rim mounted)
- 2 x Mod air controls (rim mounted)
- 750 watt auto heat boost pump

## ANGELIQUE CONTOUR SPA BATH ●● 14 JETS

SIZE (l) x (w) x (d) mm	CAPACITY*	NET WEIGHT	CODE
1295 x 1295 x 480	179L	35.3kg	<b>AN1295CNSPAWC</b>
1465 x 1465 x 480	259L	45kg	<b>AN1465CNSPAWC</b>



- 10 YR WARRANTY\* - SPA SHELL
- 5 YR WARRANTY\* - PUMP, JETS & FITTINGS
- AS/NZ Standard AS3861/1991
- Steel rod reinforced rim
- Double reinforced bath base
- 6 x flush C-Lenda™ centro jets
- 8 x flush C-Lenda™ mini jets
- 2 x flush C-Lenda™ air controls
- 1 x flush C-Lenda™ suction
- 1 x Sensa-Touch pad control (rim mounted)
- 750 watt 3-stage heat boost pump

## ANGELIQUE DOLCE VITA ●●● 18 JETS

SIZE (l) x (w) x (d) mm	CAPACITY*	NET WEIGHT	CODE
1295 x 1295 x 480	179L	60.3kg	<b>AN1295DVSPAWC</b>
1465 x 1465 x 480	259L	75kg	<b>AN1465DVSPAWC</b>



- 10 YR WARRANTY\* - SPA SHELL
- 5 YR WARRANTY\* - PUMP, JETS & FITTINGS
- AS/NZ Standard AS3861/1991
- Steel rod reinforced rim
- Double reinforced bath base
- 6 x adjustable flush C-Lenda™ centro jets
- 12 x adjustable flush C-Lenda™ mini jets
- 2 x flush C-Lenda™ air controls
- 1 x flush C-Lenda™ suction
- Spa Key remote control
- 1100 watt spa key heat boost pump



Available with Chrome, White or Black jets

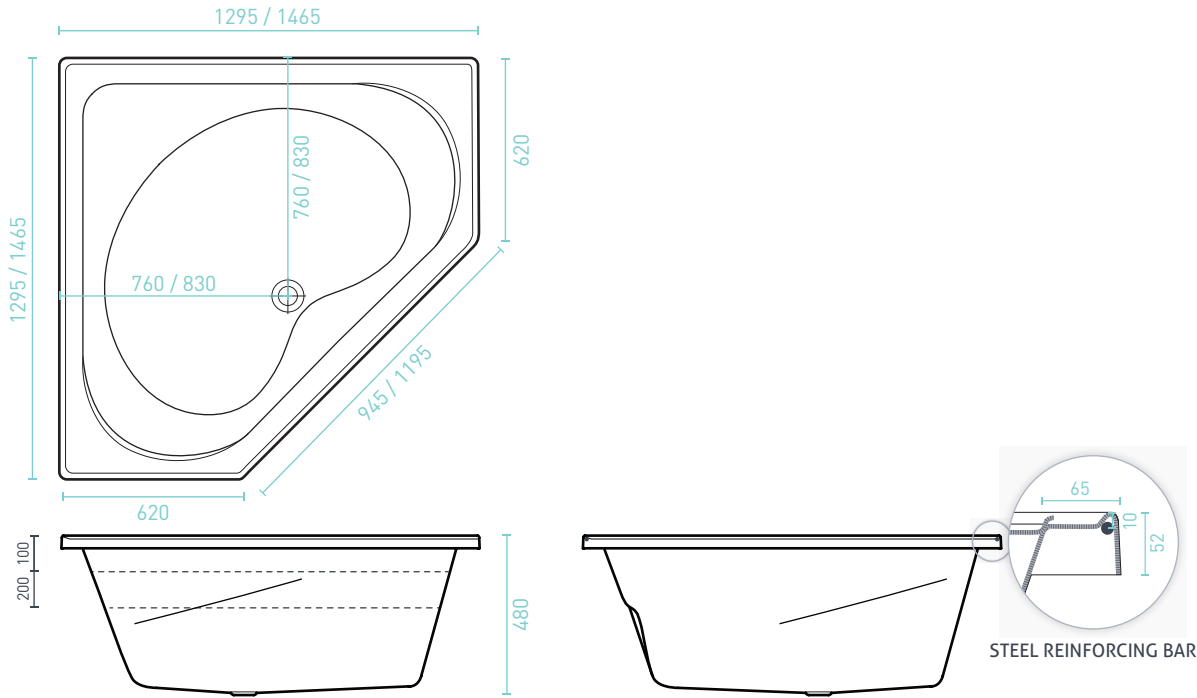


\*Capacity 200mm below the bath rim

ANGELIQUE ACCESSORIES	BATH	SANTAI SPA BATH	CONTOUR SPA BATH	DOLCE VITA SPA BATH
Corner Base Support Frame	Optional	Optional	Optional	✓
Sienna Headrests Black/White	Optional	Optional	✓ x 2	✓ x 2
Overflow	Optional	Optional	Optional	Optional
Plug & Waste	Optional	Optional	Optional	Optional

# ANGELIQUE

INSET BATH/SPA BATH WITH TILE BEAD - Premium Sanitary Grade Acrylic, High Gloss White



## SPA BATH ORDER FORM

Spa baths made to order on receipt of order form. Please allow 15 working days for completion & dispatch. We recommend filling out your SPA BATH ORDER FORM with your qualified spa bath installer.

COMPANY & BRANCH: \_\_\_\_\_ PHONE NO: \_\_\_\_\_  
 CONTACT: \_\_\_\_\_ ORDER NO: \_\_\_\_\_ DATE: \_\_\_\_\_

MODEL: \_\_\_\_\_ SIZE: \_\_\_\_\_ QTY: \_\_\_\_\_ RANGE  SANTAI  CONTOUR  DOLCE VITA

**SANTAI SPA BATH UPGRADE OPTIONS**

**PUMP UPGRADE** - Manual Xtra-Heat Boost Pump (RRP \$215)       **PUMP UPGRADE** - Sensa-Touch Pad Control 3-Stage Heat (RRP \$425)   
**EZI FRAME** - Supplied  Factory Fitted       **BASE SUPPORT FRAME** - Factory Fitted  Overflow   
**HEADRESTS** - White QTY: \_\_\_\_\_ Black QTY: \_\_\_\_\_ (RRP \$99 each)

**CONTOUR SPA BATH UPGRADE OPTIONS**

**EZI FRAME** - Supplied  Factory Fitted       **BASE SUPPORT FRAME** - Factory Fitted  Overflow   
**HEADREST COLOUR** - White  Black

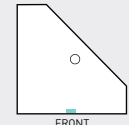
**DOLCE VITA SPA BATH OPTIONS**

**JET COLOUR** - Chrome  White  Black        **HEADREST COLOUR** - White  Black

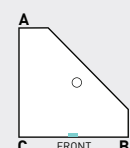
- SPA PUMP NOTES**
- The Spa Pump does not fit directly underneath the baths perimeter
  - The Spa Pump should be easily accessible for maintenance
  - Waste positions can not be changed
  - The Spa Pump controls will always be at the front, unless indicated below

**PLEASE INDICATE ON THE DIAGRAMS BELOW:** (please refer to the technical drawings before choosing your pump position)

**SHOWER HEAD POSITION** (if applicable)  
 The Spa Pump controls CAN NOT be on the same end as the shower head.



**SPA PUMP POSITION** (300mm of pipework is supplied)  
 The recommended max. distance between the bath & spa pump is 1.2 metres.  
 Is the distance between the bath and the spa pump over 300mm  
 YES  NO  If YES how much extra pipework is required \_\_\_\_\_



CUSTOMER NAME: \_\_\_\_\_ CUSTOMER SIGNATURE: \_\_\_\_\_  
 CUSTOMER EMAIL: \_\_\_\_\_ CUSTOMER PHONE NO: \_\_\_\_\_

\*Whilst every effort is made to adhere to published jet & fittings positions, variation to specifications may occur without notice.