

# ADATTO

INSET BATH/SPA BATH WITH TILE BEAD - Premium Sanitary Grade Acrylic, High Gloss White

Made in Australia

The Adatto's smooth features & extra depth allows the bather to fully recline into the water. Arm rests sweep around from the shoulder position to provide comfort & a lumbar support cradles the back. End waste position.

☑ Molded arm rests

☑ Lumbar support

☑ Suitable for dual bathing

☑ Slip resistant pattern



## ADATTO BATH

SIZE (l) x (w) x (d) mm	CAPACITY*	NET WEIGHT	CODE
1510 x 715 x 445	106L	16kg	AD1510W
1650 x 715 x 445	122L	17.2g	AD1650W



- 15 YR WARRANTY\*
- AS/NZ Standard 2023/1995
- Steel rod reinforced rim
- Double reinforced bath base



## ADATTO SANTAI SPA BATH ● 12 JETS

SIZE (l) x (w) x (d) mm	CAPACITY*	NET WEIGHT	CODE
1510 x 715 x 445	106L	31kg	AD1510SAN10JW
1650 x 715 x 445	122L	32.5kg	AD1650SAN10JW

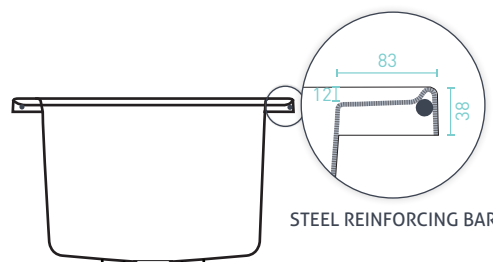
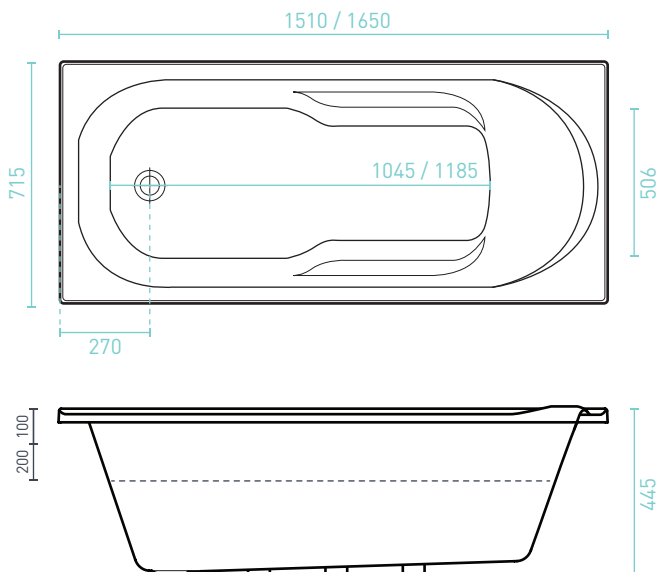
- 10 YR WARRANTY\* - SPA SHELL
- 5 YR WARRANTY\* - PUMP, JETS & FITTINGS
- AS/NZ Standard AS3861/1991
- Steel rod reinforced rim
- Double reinforced bath base
- 6 x low profile Mod centro jets
- 4 x low profile Mod mini jets
- 1 x low profile Mod suction
- 1 x Mod power button (rim mounted)
- 2 x Mod air controls (rim mounted)
- 750 watt auto heat boost pump



## ADATTO CONTOUR SPA BATH ●● 12 JETS

SIZE (l) x (w) x (d) mm	CAPACITY*	NET WEIGHT	CODE
1510 x 715 x 445	106L	32kg	AD1510CNPAWC
1650 x 715 x 445	122L	33kg	AD1650CNPAWC

- 10 YR WARRANTY\* - SPA SHELL
- 5 YR WARRANTY\* - PUMP, JETS & FITTINGS
- AS/NZ Standard AS3861/1991
- Steel rod reinforced rim
- Double reinforced bath base
- 6 x flush C-Lenda™ centro jets
- 6 x flush C-Lenda™ mini jets
- 2 x flush C-Lenda™ air controls
- 1 x flush C-Lenda™ suction
- 1 x Sensa-Touch pad control (rim mounted)
- 750 watt 3-stage heat boost pump



\*Capacity 200mm below the bath rim

# ADATTO

INSET BATH/SPA BATH WITH TILE BEAD - Premium Sanitary Grade Acrylic, High Gloss White

ADATTO ACCESSORIES	PRODUCT CODE	BATH	SANTAI SPA BATH	CONTOUR SPA BATH
EZI Frame/Base Support Frame	VARIOUS	Optional	Optional	Optional
EZI Feet (1665mm & 1650mm)	EZF005	Optional	Optional	Optional
SIA Headrest (Black/White)	SY242-B / SY242-W	Optional	Optional	✓ x 1
Overflow	OWA001/OWA002/OWA003	Optional	Optional	Optional
Plug & Waste	WA001/WA002/WA003	Optional	Optional	Optional

## SPA BATH ORDER FORM

Spa baths are made to order on receipt of the order form & are non-refundable. Please allow approximately 15-20 working days for completion & dispatch. We recommend filling out your SPA BATH ORDER FORM with your qualified tradesperson.

COMPANY & BRANCH: \_\_\_\_\_ PHONE NO: \_\_\_\_\_

CONTACT: \_\_\_\_\_ ORDER NO: \_\_\_\_\_ DATE: \_\_\_\_\_

MODEL: \_\_\_\_\_ SIZE: \_\_\_\_\_ QTY: \_\_\_\_\_ RANGE SANTAI  CONTOUR  DOLCE VITA

### CONTOUR SPA BATH OPTIONS

Headrest colour (NO additional cost) White  Black

### DOLCE VITA SPA BATH OPTIONS

Headrest colour (NO additional cost) White  Black

Jet colour (NO additional cost) Chrome  White  Black  

### SPA PUMP NOTES

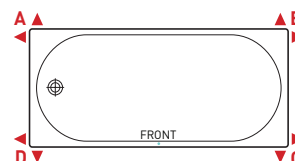
- The spa pump does not fit directly in the baths perimeter (allow 100mm)
- The spa pump must be easily accessible for maintenance
- Waste positions can not be changed
- The spa pump controls will always be at the front, unless indicated below
- We recommend spa pumps installed outside are fitted with a Spa Pump Cover EDG119
- We recommend spa pumps installed inside are fitted with a Drain Tray EDG140

**Please refer to the technical drawings before choosing your spa pump position, as spa bath waste & pump positions CANNOT be customised**

**1. CIRCLE YOUR PUMP POSITION A / B / C / D ON THE DIAGRAM**

**2. CROSS (X) YOUR SHOWER HEAD POSITION ON THE DIAGRAM (if applicable)**

Spa pump controls can not be on the same end as the shower.



CUSTOMER NAME: \_\_\_\_\_ CUSTOMER SIGNATURE: \_\_\_\_\_

CUSTOMER EMAIL: \_\_\_\_\_ CUSTOMER PHONE NO: \_\_\_\_\_

\*Whilst every effort is made to adhere to published jet & fittings positions, variation to specifications may occur without notice.