

# LAGO

ISLAND BATH/SPA BATH - Premium Sanitary Grade Acrylic, High Gloss White

Made in Australia

The Lago's large rectangle design combines form & function, making it ideal for dual bathing. It is the perfect match for the minimal, contemporary style found in today's bathrooms. *Centre waste position.*

Molded arm rests

Lumbar support

Suitable for dual bathing

Slip resistant pattern



## LAGO BATH

| SIZE (l) x (w) x (d) mm | CAPACITY* | NET WEIGHT | CODE    |
|-------------------------|-----------|------------|---------|
| 1795 x 1050 x 490       | 268L      | 36kg       | LA1800W |



- 15 YR WARRANTY\*
- AS/NZ Standard 2023/1995
- Steel rod reinforced rim
- Double reinforced bath base



## LAGO CONTOUR SPA BATH ●●● 18 JETS

| SIZE (l) x (w) x (d) mm | CAPACITY* | NET WEIGHT | CODE          |
|-------------------------|-----------|------------|---------------|
| 1795 x 1050 x 490       | 268L      | 56kg       | LA1790CNSPAWC |

- 10 YR WARRANTY\* - SPA SHELL
- 5 YR WARRANTY\* - PUMP, JETS & FITTINGS
- AS/NZ Standard AS3861/1991
- Steel rod reinforced rim
- Double reinforced bath base
- 6 x flush C-Lenda™ centro jets
- 12 x flush C-Lenda™ mini jets
- 2 x flush C-Lenda™ air controls
- 1 x flush C-Lenda™ suction
- 1 x Sensa-Touch pad control (rim mounted)
- 750 watt 3-stage heat boost pump



## LAGO DOLCE VITA SPA BATH ●●●● 26 JETS

| SIZE (l) x (w) x (d) mm | CAPACITY* | NET WEIGHT | CODE          |
|-------------------------|-----------|------------|---------------|
| 1795 x 1050 x 490       | 268L      | 76kg       | LA1790DVSPAWC |

- 10 YR WARRANTY\* - SPA SHELL
- 5 YR WARRANTY\* - PUMP, JETS & FITTINGS
- AS/NZ Standard AS3861/1991
- Steel rod reinforced rim
- Double reinforced bath base
- 6 x adjustable flush C-Lenda™ centro jets
- 20 x adjustable flush C-Lenda™ mini jets
- 4 x flush C-Lenda™ air controls
- 1 x flush C-Lenda™ suction
- Spa Key remote control
- 1100 watt spa key heat boost pump

Available with Chrome, White or Black jets

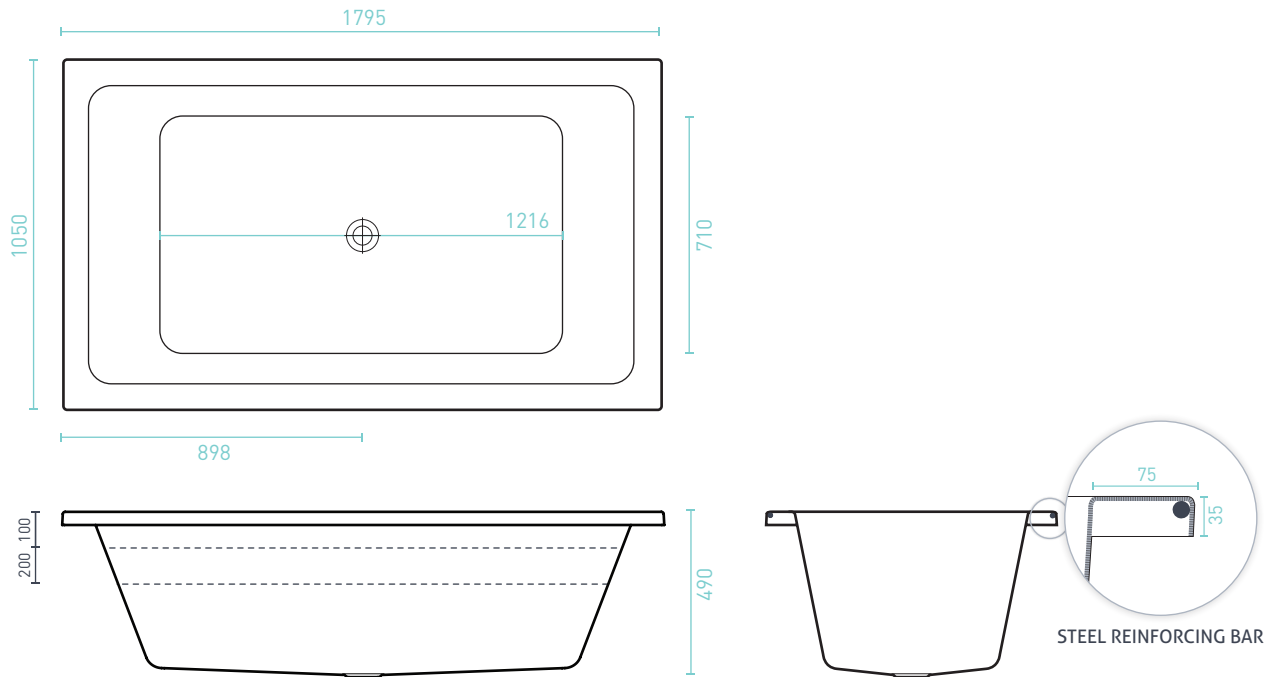


| LAGO ACCESSORIES              | BATH     | CONTOUR SPA BATH | DOLCE VITA SPA BATH |
|-------------------------------|----------|------------------|---------------------|
| Base Support Frame            | Optional | Optional         | ✓                   |
| FIORE Headrests (Black/White) | Optional | ✓ x 2            | ✓ x 2               |
| Overflow                      | Optional | Optional         | Optional            |
| Plug & Waste                  | Optional | Optional         | Optional            |

\*Capacity 200mm below the bath rim

**LAGO**

ISLAND BATH/SPA BATH - Premium Sanitary Grade Acrylic, High Gloss White



**SPA BATH ORDER FORM**

Spa baths are made to order on receipt of the order form & are non-refundable. Please allow 15 working days for completion & dispatch. We recommend filling out your SPA BATH ORDER FORM with your qualified spa bath installer.

**COMPANY & BRANCH:** \_\_\_\_\_ **PHONE NO:** \_\_\_\_\_

**CONTACT:** \_\_\_\_\_ **ORDER NO:** \_\_\_\_\_ **DATE:** \_\_\_\_\_

**MODEL:** \_\_\_\_\_ **SIZE:** \_\_\_\_\_ **QTY:** \_\_\_\_\_ **RANGE** CONTOUR  DOLCE VITA

**CONTOUR SPA BATH OPTIONS**

**EZI FRAME** (RRP from \$115) Supplied  Factory Fitted  (Additional cost) **BASE SUPPORT FRAME** Factory Fitted (RRP \$325)   
**HEADREST COLOUR** (NO additional cost) White  Black  **OVERFLOW** (RRP from \$120)

**DOLCE VITA SPA BATH OPTIONS**

**HEADREST COLOUR** (NO extra cost) White  Black  **JET COLOUR** (NO extra cost) Chrome  White  Black    
**OVERFLOW** (RRP from \$120)

**SPA PUMP NOTES**

- The spa pump does not fit directly in the baths perimeter (allow 100mm)
- Waste positions can not be changed
- We recommend spa pumps installed outside are fitted with a Spa Pump Cover (RRP \$199)
- The spa pump must be easily accessible for maintenance
- The spa pump controls will always be at the front, unless indicated below

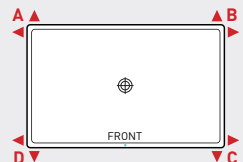
----- Please refer to the technical drawings before choosing your spa pump position, as spa bath waste & pump positions CAN NOT be customised -----

**1. CIRCLE YOUR PUMP POSITION A / B / C / D ON THE DIAGRAM**

300mm of pipework & 2 elbows are supplied to install the pump in the correct orientation. If extra pipework is required, how much? \_\_\_\_\_mm (max. recommended distance between the spa bath & pump is 1.2m)

**2. CROSS (X) YOUR SHOWER HEAD POSITION ON THE DIAGRAM (if applicable)**

Spa pump controls can not be on the same end as the shower.



**CUSTOMER NAME:** \_\_\_\_\_ **CUSTOMER SIGNATURE:** \_\_\_\_\_

**CUSTOMER EMAIL:** \_\_\_\_\_ **CUSTOMER PHONE NO:** \_\_\_\_\_

\*Whilst every effort is made to adhere to published jet & fittings positions, variation to specifications may occur without notice.