

Duo Santai / Contour Island Spa Bath

 MADE IN AUSTRALIA



SPA BATH SHELL



PUMP, JETS & FITTINGS

The Duo's classic oval design makes it a show stopping addition, perfect for larger bathrooms. Moulded arm rests & back supports, plus large water capacity combine to provide superb comfort for two bathers.

- AS/NZ Standard AS3861/1991
- Double reinforced bath base
- Suitable for dual bathing
- Moulded arm rests

PRODUCT SPECIFICATIONS

Colour:	High Gloss White
Material:	Premium Sanitary grade acrylic
Length:	1850mm
Width:	1275mm
Height:	485mm
Capacity:	295L [200mm below the bath rim]
Bath Type:	Island
Waste Position:	Front
Warranty:	*10 years spa shell, *5 years pump, jets, fittings [*refer to decina.com.au]

DUO SANTAI SPA BATH ● 12 JETS

SIZE (l) x (w) x (d) mm	CAPACITY*	NET WEIGHT	CODE
1850 x 1275 x 485	295L	55kg	DU1850SAN12JW

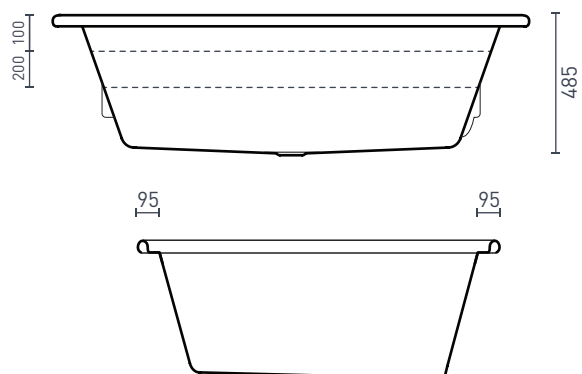
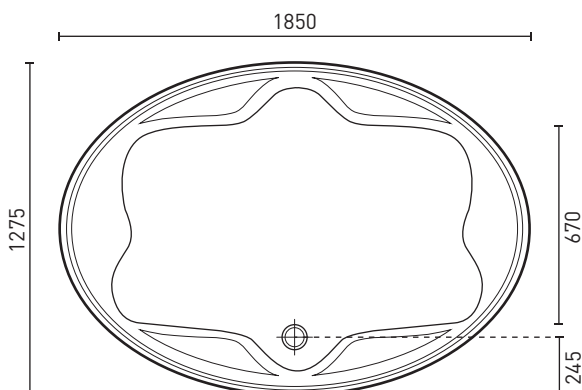
- 6 x low profile Mod centro jets
- 6 x low profile Mod mini jets
- 1 x low profile Mod suction
- 1 x Mod power button (rim mounted)
- 2 x Mod air controls (rim mounted)
- 750 watt auto heat boost pump



DUO CONTOUR SPA BATH ●● 16 JETS

SIZE (l) x (w) x (d) mm	CAPACITY*	NET WEIGHT	CODE
1850 x 1275 x 485	295L	55kg	DU1850CNSPAWC

- 6 x flush C-Lenda™ centro jets
- 8 x flush C-Lenda™ mini jets
- 2 x flush C-Lenda™ air controls
- 1 x flush C-Lenda™ suction
- 1 x Sensa-Touch pad control (rim mounted)
- 750 watt 3-stage heat boost pump
- 2 x Sia black headrests



SPA BATH ORDER FORM

Spa baths are made to order on receipt of the order form & are non-refundable. Please allow approximately 15-20 working days for completion & dispatch. We recommend filling out your SPA BATH ORDER FORM with your qualified tradesperson.

DATE: _____

COMPANY: _____ BRANCH: _____

CONTACT: _____ PHONE: _____

ORDER NO: _____ MODEL: _____ SIZE: _____

QTY: _____ RANGE: SANTAI CONTOUR

CUSTOMER NAME: _____ CUSTOMER SIGNATURE: _____

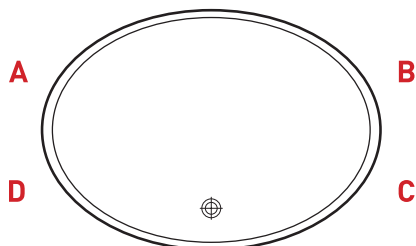
CUSTOMER EMAIL: _____ CUSTOMER PHONE NO: _____

DUO SPA BATH ACCESSORIES	PRODUCT CODE	SANTAI SPA BATH	CONTOUR SPA BATH
40mm Removable Pop-up Waste	Chrome WA001 / White Gloss WA002 Black Matte WA003	Optional	Optional
Pop-up Waste & Overflow Kit	Chrome OWA001	Optional	Optional
Pop-down Waste & Overflow Kit	Chrome OWA002 / Black Matte OWA003 White Gloss OWA007	Optional	Optional
Sia Headrest	Black Curved SY242-B	Optional	2 x Included
EZI Frame / Base Support Frame	Various	Optional	Optional
Flexible Bath Connector	OWA005	Optional	Optional
TriFlo Spa Pump Bracket & Cover (outside pump)	EDG119	Optional	Optional
TriFlo Cover Plate (outside pump)	EDG138	Optional	Optional
TriFlo Drain Tray & 1m Tubing (inside pump)	EDG140	Optional	Optional
Bamboo Bath Caddy	BC001	Optional	Optional

SPA PUMP NOTES

- We recommend spa pumps installed outside are fitted with a Spa Pump Cover **EDG119**
- We recommend spa pumps installed inside are fitted with a Drain Tray **EDG140**
- Allow sufficient access of 500 x 500mm for pump maintenance (no access will void warranty)
- Recommended maximum distance from spa bath to pump is 1.2m
- The spa pump is 400(w) x 150(l) x 200(h)mm and does not fit directly within bath perimeter

TICK THE BOX NEXT TO YOUR PUMP POSITION **A / B / C / D** ON THE DIAGRAM



Whilst every effort is made to adhere to published jet & fittings positions, variation to specifications may occur without notice. Spa bath jet colour options apply to Dolce Vita spa baths only.

*Warranty T&Cs apply, visit decina.com.au Decina reserves the right to change specifications without notice. Due to manufacturing tolerances dimensions may vary +/- 5mm. We recommend installation does not start until after delivery. Please confirm all particulars prior to purchase, call 1300 DECINA or visit decina.com.au