

# Pop-down Waste & Overflow Kit



Product Code: **OWA002** (Chrome) / **OWA003** (Matte Black)  
**OWA007** (Gloss White) / **OWA008** (Brushed Nickel) / **OWA009** (Brushed Gold)



This kit features an overflow, hose & 40mm pop-down plug & waste. The outlet is designed to be fitted & positioned near the top inside edge of a bath to take any excess water back to the waste. To elevate the bath a base support frame can be used.

- WaterMark Approved
- 40mm pop-down removable waste
- Generous hose can be cut to length
- **1 year guarantee** (replacement only)
- **Lifetime replacement guarantee** (cartridge only)

## PRODUCT SPECIFICATIONS

**Material:** Brass & chrome / matte black / gloss white

**Outlet size:** 40mm

**Warranty:** 1 year (replacement only)

## AVAILABLE FINISHES



Chrome  
OWA002



Matte Black  
OWA003

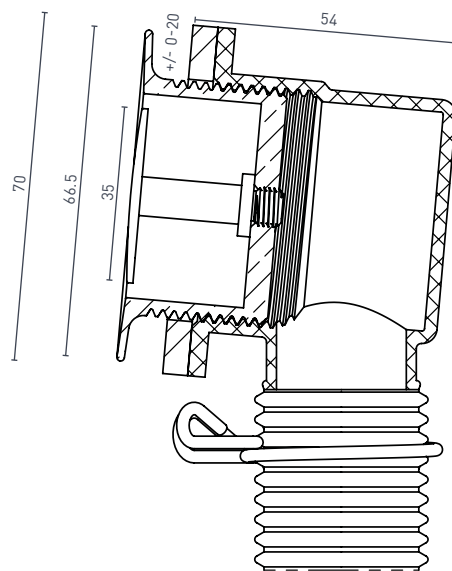


Gloss White  
OWA007

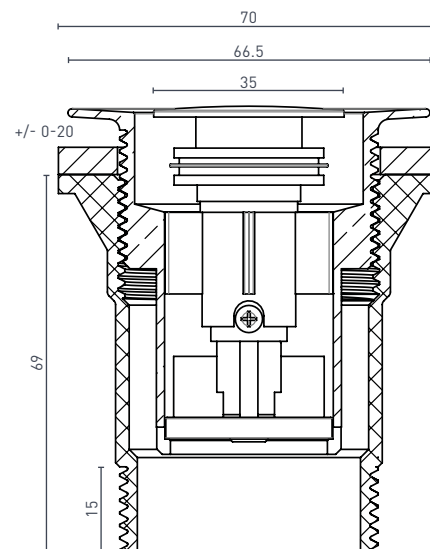
## OPTIONAL ACCESSORIES

- EZI Frame **EZF001/ EZF002 / EZF003/EZF004**
- Base Support Frame **TAP002 / TAP004**
- Flexible 300mm bath connector OWA005 (cap & lining only)

OVERFLOW SECTION



WASTE SECTION



**DECINA**  
DISCOVER INDULGENCE

DECINA.COM.AU 1300 DECINA



\*Warranty T&Cs apply, visit [decina.com.au](http://decina.com.au) Decina reserves the right to change specifications without notice. Due to manufacturing tolerances dimensions may vary +/- 5mm. Please confirm all particulars prior to purchase, call 1300 DECINA or visit [decina.com.au](http://decina.com.au)