

Venice Contour Island Spa Bath

 MADE IN AUSTRALIA



SPA BATH SHELL



PUMP, JETS & FITTINGS

The Venice's square design is large enough to provide bathing pleasure for two. This luxury bath comes with a galvanised base support frame & overflow with a chrome pop-up waste.

- AS/NZ Standard AS3861/1991
- Steel rod reinforced rim
- Double reinforced bath base
- Suitable for dual bathing
- Adjustable self-supporting feet
- Overflow & waste
- 4 x headrests

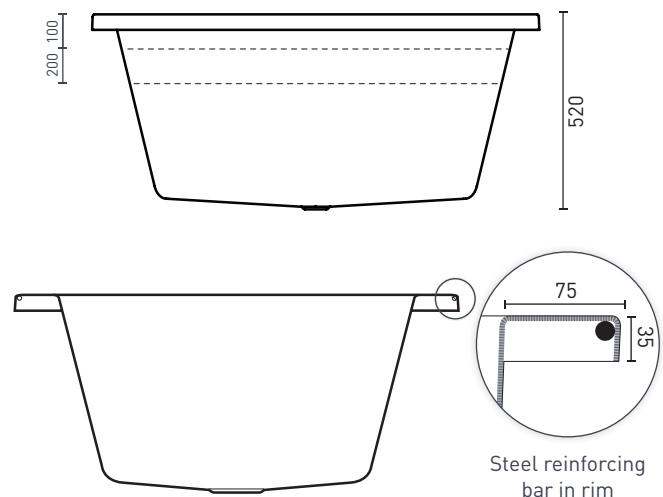
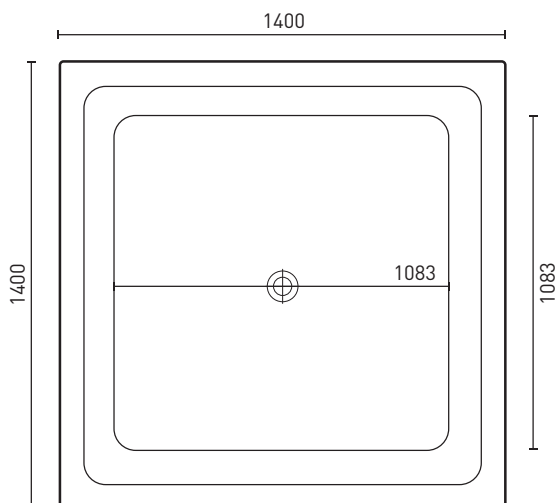
PRODUCT SPECIFICATIONS

Colour:	High Gloss White
Material:	Premium Sanitary grade acrylic
Length:	1400mm
Width:	1400mm
Height:	520mm
Capacity:	372L [200mm below the bath rim]
Bath Type:	Island
Waste Position:	Centre
Warranty:	*10 years spa shell, *5 years pump, jets, fittings (*refer to decina.com.au)

VENICE CONTOUR SPA BATH ●● 20 JETS

SIZE (l) x (w) x (d) mm	CAPACITY*	NET WEIGHT	CODE
1400 x 1400 x 520	372L	60kg	VE1400CNPAWC

- 4 x flush C-Lenda™ centro jets
- 16 x flush C-Lenda™ mini jets
- 4 x flush C-Lenda™ air controls
- 1 x flush C-Lenda™ suction
- 1 x Sensa-Touch pad control (rim mounted)
- 750 watt 3-stage heat boost pump
- 4 x Fiore black headrests



SPA BATH ORDER FORM

Spa baths are made to order on receipt of the order form & are non-refundable. Please allow approximately 15-20 working days for completion & dispatch. We recommend filling out your SPA BATH ORDER FORM with your qualified tradesperson.

DATE: _____

COMPANY: _____ BRANCH: _____

CONTACT: _____ PHONE: _____

ORDER NO: _____ MODEL: _____ SIZE: _____

QTY: _____ RANGE: SANTA I CONTOUR

CUSTOMER NAME: _____ CUSTOMER SIGNATURE: _____

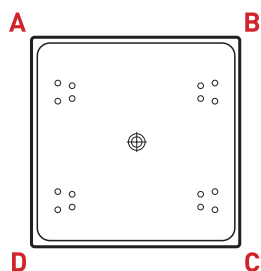
CUSTOMER EMAIL: _____ CUSTOMER PHONE NO: _____

VENICE SPA BATH ACCESSORIES	PRODUCT CODE	CONTOUR SPA BATH
Fiore Black Headrest	Black Straight SY242-A-B	✓ 4 x Included
Base Support Frame	Various	✓ Included
Overflow		✓ Included
Chrome Plug & Waste		✓ Included
TriFlo Spa Pump Bracket & Cover (outside pump)	EDG119	Optional
TriFlo Cover Plate (outside pump)	EDG138	Optional
TriFlo Drain Tray & 1m Tubing (inside pump)	EDG140	Optional

SPA PUMP NOTES

- The spa pump does not fit directly in the baths perimeter (*allow 100mm*)
- The spa pump must be easily accessible for maintenance
- Waste positions can not be changed
- We recommend spa pumps installed outside are fitted with a Spa Pump Cover EDG119
- We recommend spa pumps installed inside are fitted with a Drain Tray EDG140

TICK THE BOX NEXT TO YOUR PUMP POSITION A / B / C / D ON THE DIAGRAM



Whilst every effort is made to adhere to published jet & fittings positions, variation to specifications may occur without notice. Spa bath jet colour options apply to Dolce Vita spa baths only.

*Warranty T&Cs apply, visit decina.com.au Decina reserves the right to change specifications without notice. Due to manufacturing tolerances dimensions may vary +/- 5mm. We recommend installation does not start until after delivery. Please confirm all particulars prior to purchase, call 1300 DECINA or visit decina.com.au