

Venice Island Spa Bath

 MADE IN AUSTRALIA



SPA BATH SHELL



PUMP, JETS
& FITTINGS

The Venice's square design is large enough to provide bathing pleasure for two. This luxury bath comes with a galvanised base support frame & overflow with a chrome pop-up waste.

- AS/NZ Standard AS3861/1991
- Steel rod reinforced rim
- Double reinforced bath base
- Suitable for dual bathing
- Adjustable self-supporting feet
- Overflow & waste
- 4 x headrests

PRODUCT SPECIFICATIONS

Colour:	High Gloss White
Material:	Premium Sanitary grade acrylic
Length:	1400mm
Width:	1400mm
Height:	520mm
Capacity:	372L [200mm below the bath rim]
Bath Type:	Island
Waste Position:	Centre
Warranty:	*10 years spa shell, *5 years pump, jets, fittings (*refer to decina.com.au)

VENICE CONTOUR SPA BATH

SIZE (l) x (w) x (d) mm	CAPACITY*	NET WEIGHT	CODE
1400 x 1400 x 500	372L	60kg	VE1400CNPAWC

- 4 x flush C-Lenda™ centro jets
- 16 x flush C-Lenda™ mini jets
- 4 x flush C-Lenda™ air controls
- 1 x flush C-Lenda™ suction
- 1 x Sensa-Touch pad control (rim mounted)
- 750 watt 3-stage heat boost pump
- 4 x Fiore black headrests



VENICE DOLCE VITA SPA BATH

SIZE (l) x (w) x (d) mm	CAPACITY*	NET WEIGHT	CODE
1400 x 1400 x 500	372L	90kg	VE1400DVSPAWC

- 4 x adjustable flush C-Lenda™ centro jets
- 24 x adjustable flush C-Lenda™ mini jets
- 4 x flush C-Lenda™ air controls
- 1 x flush C-Lenda™ suction
- Spa Key remote control
- 1100 watt spa key heat boost pump
- 4 x Fiore black headrests



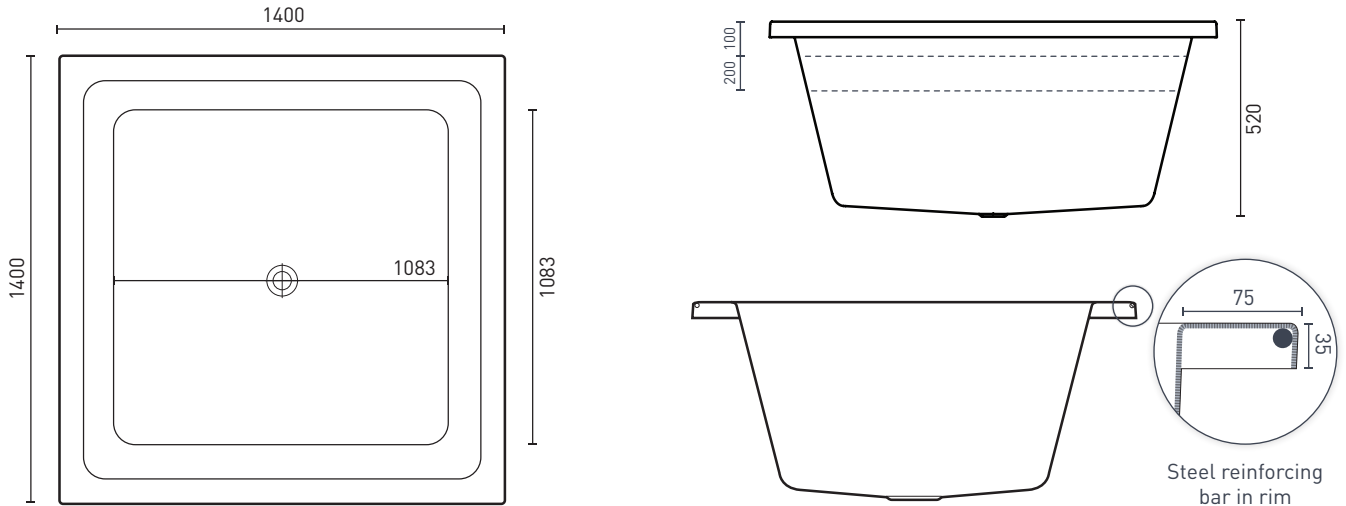
OPTIONAL ACCESSORIES

- Fiore Black Headrest **SY242-A-B**

Available with Chrome, White or Black jets



TECHNICAL DRAWINGS



SPA BATH ORDER FORM

Spa baths are made to order on receipt of the order form & are non-refundable. Whilst we aim for 15-20 working days for completion & dispatch, please contact Decina for current lead times. We recommend filling out your spa bath order form with your qualified tradesperson.

COMPANY & BRANCH: _____ PHONENO: _____

CONTACT: _____ ORDER NO: _____ DATE: _____

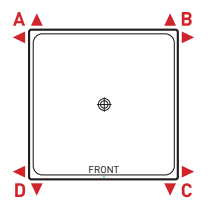
MODEL: _____ SIZE: _____ QTY: _____ RANGE CONTOUR DOLCE VITA

JET COLOUR DOLCE VITA ONLY
 (NO additional cost) Chrome White Black 

- SPA PUMP NOTES**
- The spa pump does not fit directly in the baths perimeter (allow 100mm)
 - The spa pump must be easily accessible for maintenance
 - Waste positions can not be changed
 - The spa pump controls will always be at the front, unless indicated below
 - We recommend spa pumps installed outside are fitted with a Spa Pump Cover EDG119 (optional extra)
 - We recommend spa pumps installed inside are fitted with a Drain Tray EDG140 (optional extra)

Please refer to the technical drawings before choosing your spa pump position, as spa bath waste & pump positions CANNOT be customised

1. CIRCLE YOUR PUMP POSITION A / B / C / D ON THE DIAGRAM



CUSTOMER NAME: _____ CUSTOMER SIGNATURE: _____

CUSTOMER EMAIL: _____ CUSTOMER PHONE NO: _____

*Whilst every effort is made to adhere to published jet & fittings positions, variation to specifications may occur without notice.



DECINA.COM.AU 1300 DECINA 

*Warranty T&Cs apply, visit decina.com.au Decina reserves the right to change specifications without notice. Due to manufacturing tolerances dimensions may vary +/- 5mm. We recommend installation does not start until after delivery. Please confirm all particulars prior to purchase, call 1300 DECINA or visit decina.com.au