

# Uno Dolce Vita Island Spa Bath

 MADE IN AUSTRALIA



SPA BATH SHELL



PUMP, JETS  
& FITTINGS

The Uno's combined depth & simple lines blend beautifully into any bathroom style. This bath features ergonomically shaped lumbar support to cradle the back & steep sides for maximum internal space, comfort & water efficiency.

- AS/NZ Standard 3861:1991
- Steel rod reinforced rim
- Double reinforced bath base
- Lumbar support

## PRODUCT SPECIFICATIONS

<b>Colour:</b>	High Gloss White
<b>Material:</b>	Premium Sanitary grade acrylic
<b>Length:</b>	1700mm
<b>Width:</b>	750mm
<b>Height:</b>	490mm
<b>Capacity:</b>	168L [200mm below the bath rim]
<b>Bath Type:</b>	Island
<b>Waste Position:</b>	End
<b>Warranty:</b>	10 years* spa shell, 5 years pump*, jets, fittings (*refer to decina.com.au)

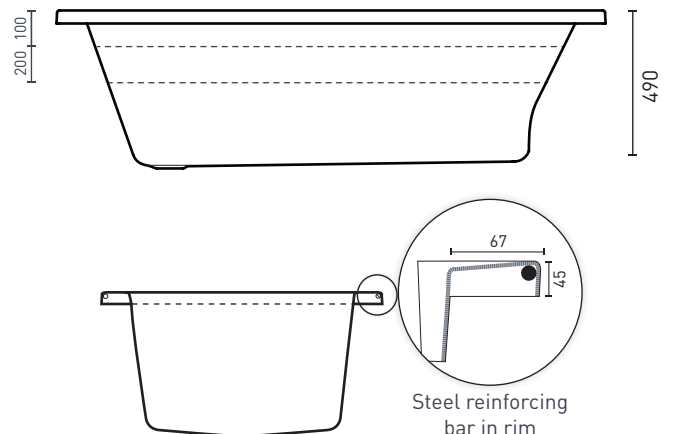
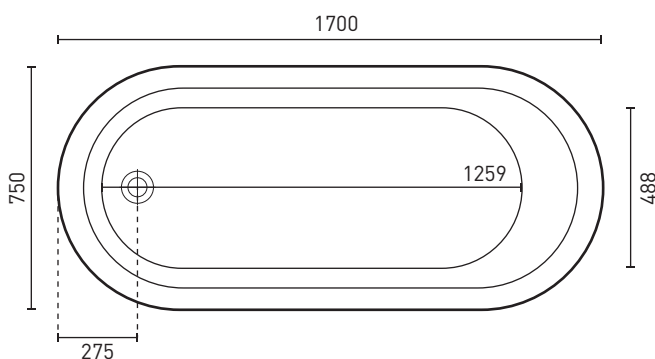
## UNO DOLCE VITA SPA BATH ●●●● 16 JETS

SIZE (l) x (w) x (d) mm	CAPACITY*	NET WEIGHT	CODE
1700 x 750 x 490	168L	69kg	UN1700DVSPAWC

- 6 x adjustable flush C-Lenda™ centro jets
- 10 x adjustable flush C-Lenda™ mini jets
- 2 x flush C-Lenda™ air controls
- 1 x flush C-Lenda™ suction
- Spa Key remote control
- 1100 watt spa key heat boost pump
- 1 x Sia black headrest



Available with Chrome, White or Black jets



## SPA BATH ORDER FORM

Spa baths are made to order on receipt of the order form & are non-refundable. Please allow approximately 15-20 working days for completion & dispatch. We recommend filling out your SPA BATH ORDER FORM with your qualified tradesperson.

DATE: \_\_\_\_\_

COMPANY: \_\_\_\_\_ BRANCH: \_\_\_\_\_

CONTACT: \_\_\_\_\_ PHONE: \_\_\_\_\_

ORDER NO: \_\_\_\_\_ MODEL: \_\_\_\_\_ SIZE: \_\_\_\_\_

QTY: \_\_\_\_\_ JET COLOUR: DOLCE VITA ONLY (NO additional cost)    Chrome White Black

CUSTOMER NAME: \_\_\_\_\_ CUSTOMER SIGNATURE: \_\_\_\_\_

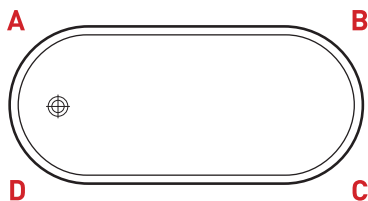
CUSTOMER EMAIL: \_\_\_\_\_ CUSTOMER PHONE NO: \_\_\_\_\_

UNO ACCESSORIES	PRODUCT CODE	DOLCE VITA
40mm Removable pop-up waste	Chrome <b>WA001</b> / White Gloss <b>WA002</b> / Black Matte <b>WA003</b>	Optional
Pop-up waste & overflow kit	Chrome <b>OWA001</b>	Optional
Pop-down waste & overflow kit	Chrome <b>OWA002</b> / Black Matte <b>OWA003</b> / White Gloss <b>OWA007</b>	Optional
Sia Headrest	Black Curved <b>SY242-B</b>	1 x included
Base Support Frame	<b>Various</b>	Included
Flexible Bath Connector	<b>OWA005</b>	Optional
TriFlo Spa Pump Bracket & Cover (outside pump)	<b>EDG119</b>	Optional
TriFlo Cover Plate (outside pump)	<b>EDG138</b>	Optional
TriFlo Drain Tray & 1m Tubing (inside pump)	<b>EDG140</b>	Optional
Bamboo Bath Caddy	<b>BC001</b>	Optional

### SPA PUMP NOTES

- The spa pump does not fit directly in the baths perimeter (allow 100mm)
- The spa pump must be easily accessible for maintenance
- Waste positions can not be changed
- We recommend spa pumps installed outside are fitted with a Spa Pump Cover **EDG119**
- We recommend spa pumps installed inside are fitted with a Drain Tray **EDG140**

TICK THE BOX NEXT TO YOUR PUMP POSITION **A / B / C / D** ON THE DIAGRAM



Whilst every effort is made to adhere to published jet & fittings positions, variation to specifications may occur without notice. \*Warranty T&Cs apply, visit [decina.com.au](http://decina.com.au) Decina reserves the right to change specifications without notice. Due to manufacturing tolerances dimensions may vary +/- 5mm. We recommend installation does not start until after delivery. Please confirm all particulars prior to purchase, call 1300 DECINA or visit [decina.com.au](http://decina.com.au)