

# Turin Santai / Contour Inset Spa Bath with tile bead

 MADE IN AUSTRALIA



SPA BATH SHELL



PUMP, JETS  
& FITTINGS

The Turin's elegant, simple lines create the perfect balance of form & function. Additionally this bath base has been reinforced with a resin & fiberglass coating for superior sturdiness & durability.

- AS/NZ Standard AS3861/1991
- Steel rod reinforced rim
- Double reinforced bath base

## PRODUCT SPECIFICATIONS

<b>Colour:</b>	High gloss white
<b>Material:</b>	Premium sanitary grade acrylic
<b>Length:</b>	1520mm / 1665mm / 1790mm
<b>Width:</b>	755mm
<b>Height:</b>	445mm / 445mm / 485mm
<b>Capacity:</b>	121L / 138L / 153L [200mm below the bath rim]
<b>Bath Type:</b>	Inset
<b>Waste Position:</b>	End
<b>Warranty:</b>	*10 years spa shell, *5 years pump, jets, fittings (*refer to decina.com.au)

### TURIN SANTAI SPA BATH ● 10 JETS

SIZE (l) x (w) x (d) mm	CAPACITY*	NET WEIGHT	CODE
1520 x 755 x 445	121L	34kg	<b>TU1520SAN10JW</b>
1665 x 755 x 445	138L	36kg	<b>TU1665SAN10JW</b>
1790 x 755 x 485	153L	39kg	<b>TU1790SAN10JW</b>

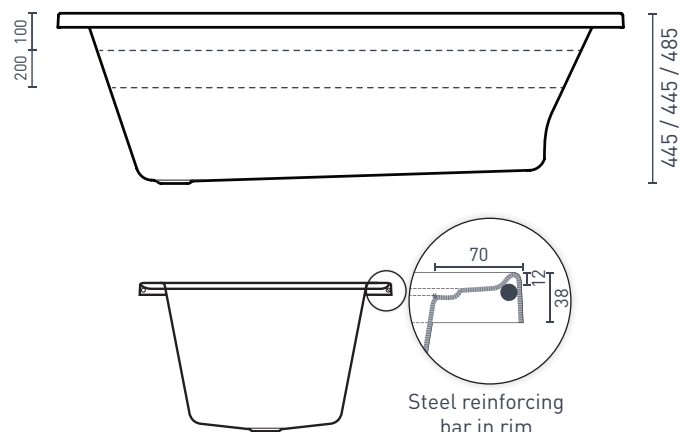
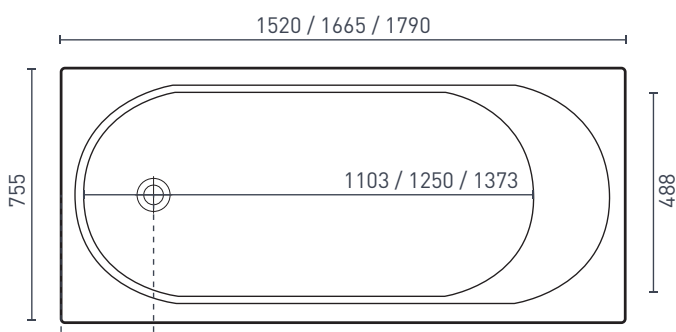
- 6 x low profile Mod centro jets
- 4 x low profile Mod mini jets
- 1 x low profile Mod suction
- 1 x Mod power button (rim mounted)
- 2 x Mod air controls (rim mounted)
- 750 watt pump with air tube connect which helps maintain water temperature by heat transfer.



### TURIN CONTOUR SPA BATH ●● 12 JETS

SIZE (l) x (w) x (d) mm	CAPACITY*	NET WEIGHT	CODE
1520 x 755 x 445	121L	34kg	<b>TU1520CNPAWC</b>
1665 x 755 x 445	138L	36kg	<b>TU1665CNPAWC</b>
1790 x 755 x 485	153L	39kg	<b>TU1790CNPAWC</b>

- 6 x flush C-Lenda™ centro jets
- 6 x flush C-Lenda™ mini jets
- 2 x flush C-Lenda™ air controls
- 1 x flush C-Lenda™ suction
- 1 x Sensa-Touch pad control (rim mounted)
- 750 watt 3-stage heat boost pump
- 1 x Sia black headrest



# SPA BATH ORDER FORM

Spa baths are made to order on receipt of the order form & are non-refundable. Please allow approximately 15-20 working days for completion & dispatch. We recommend filling out your SPA BATH ORDER FORM with your qualified tradesperson.

DATE: \_\_\_\_\_

COMPANY: \_\_\_\_\_ BRANCH: \_\_\_\_\_

CONTACT: \_\_\_\_\_ PHONE: \_\_\_\_\_

ORDER NO: \_\_\_\_\_ MODEL: \_\_\_\_\_ SIZE: \_\_\_\_\_

QTY: \_\_\_\_\_ RANGE: SANTAI      CONTOUR

CUSTOMER NAME: \_\_\_\_\_ CUSTOMER SIGNATURE: \_\_\_\_\_

CUSTOMER EMAIL: \_\_\_\_\_ CUSTOMER PHONE NO: \_\_\_\_\_

TURIN SPA BATH ACCESSORIES	PRODUCT CODE	SANTAI SPA BATH	CONTOUR SPA BATH
40mm Removable Pop-up Waste	Chrome <b>WA001</b> / White Gloss <b>WA002</b> Black Matte <b>WA003</b>	Optional	Optional
Pop-up Waste & Overflow Kit	Chrome <b>OWA001</b>	Optional	Optional
Pop-down Waste & Overflow Kit	Chrome <b>OWA002</b> / Black Matte <b>OWA003</b> White Gloss <b>OWA007</b>	Optional	Optional
Sia Headrest	Black Curved <b>SY242-B</b>	Optional	1 x Included
EZI Frame / Base Support Frame	<b>Various</b>	Optional	Optional
Flexible Bath Connector	<b>OWA005</b>	Optional	Optional
TriFlo Spa Pump Bracket & Cover (outside pump)	<b>EDG119</b>	Optional	Optional
TriFlo Cover Plate (outside pump)	<b>EDG138</b>	Optional	Optional
TriFlo Drain Tray & 1m Tubing (inside pump)	<b>EDG140</b>	Optional	Optional
Bamboo Bath Caddy	<b>BC001</b>	Optional	Optional

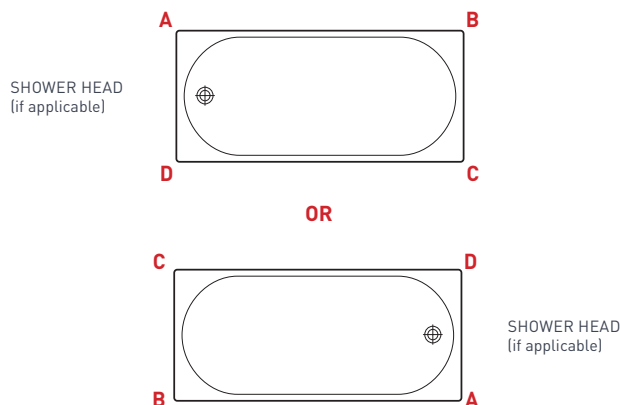
## SPA PUMP NOTES

- The spa pump does not fit directly in the baths perimeter (*allow 100mm*)
- The spa pump must be easily accessible for maintenance
- Waste positions can not be changed
- We recommend spa pumps installed outside are fitted with a Spa Pump Cover **EDG119**
- We recommend spa pumps installed inside are fitted with a Drain Tray **EDG140**

**1. TICK THE BOX NEXT TO YOUR PUMP POSITION A / B / C / D ON THE DIAGRAM**

**2. TICK THE BOX ON THE LEFT OR RIGHT OF THE DIAGRAM FOR SHOWER HEAD POSITION *(if applicable)***

Spa pump controls can not be on the same end as the shower.



Whilst every effort is made to adhere to published jet & fittings positions, variation to specifications may occur without notice. Spa bath jet colour options apply to Dolce Vita spa baths only.

\*Warranty T&Cs apply, visit [decina.com.au](http://decina.com.au) Decina reserves the right to change specifications without notice. Due to manufacturing tolerances dimensions may vary +/- 5mm. We recommend installation does not start until after delivery. Please confirm all particulars prior to purchase, call 1300 DECINA or visit [decina.com.au](http://decina.com.au)

**DECINA**

DECINA.COM.AU 1300 DECINA

