

Turin Santai / Contour Inset Spa Bath with tile bead

 MADE IN AUSTRALIA



SPA BATH SHELL



PUMP, JETS
& FITTINGS

The Turin's elegant, simple lines create the perfect balance of form & function. Additionally this bath base has been reinforced with a resin & fiberglass coating for superior sturdiness & durability.

- AS/NZ Standard AS3861/1991
- Steel rod reinforced rim
- Double reinforced bath base

PRODUCT SPECIFICATIONS

| | |
|------------------------|--|
| Colour: | High gloss white |
| Material: | Premium sanitary grade acrylic |
| Length: | 1520mm / 1665mm / 1790mm |
| Width: | 755mm |
| Height: | 445mm / 445mm / 485mm |
| Capacity: | 121L / 138L / 153L [200mm below the bath rim] |
| Bath Type: | Inset |
| Waste Position: | End |
| Warranty: | *10 years spa shell, *5 years pump, jets, fittings (*refer to decina.com.au) |

TURIN SANTAI SPA BATH ● 10 JETS

| SIZE (l) x (w) x (d) mm | CAPACITY* | NET WEIGHT | CODE |
|-------------------------|-----------|------------|----------------------|
| 1520 x 755 x 445 | 121L | 34kg | TU1520SAN10JW |
| 1665 x 755 x 445 | 138L | 36kg | TU1665SAN10JW |
| 1790 x 755 x 485 | 153L | 39kg | TU1790SAN10JW |

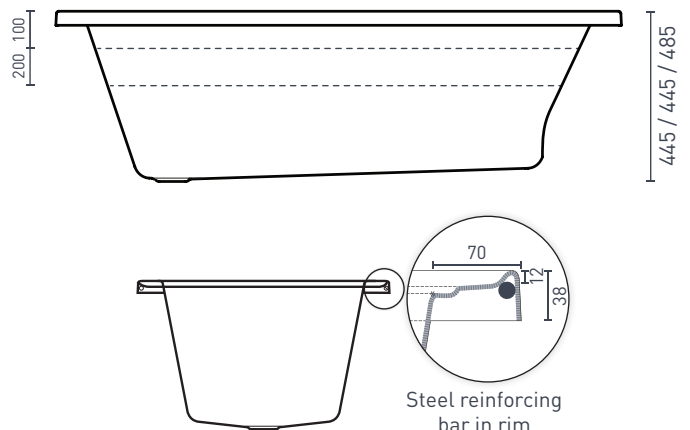
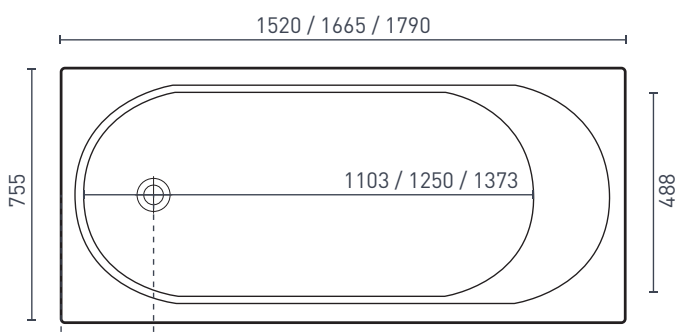
- 6 x low profile Mod centro jets
- 4 x low profile Mod mini jets
- 1 x low profile Mod suction
- 1 x Mod power button (rim mounted)
- 2 x Mod air controls (rim mounted)
- 750 watt auto heat boost pump



TURIN CONTOUR SPA BATH ●● 12 JETS

| SIZE (l) x (w) x (d) mm | CAPACITY* | NET WEIGHT | CODE |
|-------------------------|-----------|------------|---------------------|
| 1520 x 755 x 445 | 121L | 34kg | TU1520CNPAWC |
| 1665 x 755 x 445 | 138L | 36kg | TU1665CNPAWC |
| 1790 x 755 x 485 | 153L | 39kg | TU1790CNPAWC |

- 6 x flush C-Lenda™ centro jets
- 6 x flush C-Lenda™ mini jets
- 2 x flush C-Lenda™ air controls
- 1 x flush C-Lenda™ suction
- 1 x Sensa-Touch pad control (rim mounted)
- 750 watt 3-stage heat boost pump
- 1 x Sia black headrest



SPA BATH ORDER FORM

Spa baths are made to order on receipt of the order form & are non-refundable. Please allow approximately 15-20 working days for completion & dispatch. We recommend filling out your SPA BATH ORDER FORM with your qualified tradesperson.

DATE: _____

COMPANY: _____ BRANCH: _____

CONTACT: _____ PHONE: _____

ORDER NO: _____ MODEL: _____ SIZE: _____

QTY: _____ RANGE: SANTAI CONTOUR

CUSTOMER NAME: _____ CUSTOMER SIGNATURE: _____

CUSTOMER EMAIL: _____ CUSTOMER PHONE NO: _____

| TURIN SPA BATH ACCESSORIES | PRODUCT CODE | SANTAI SPA BATH | CONTOUR SPA BATH |
|--|---|-----------------|------------------|
| 40mm Removable Pop-up Waste | Chrome WA001 / White Gloss WA002 Black Matte WA003 | Optional | Optional |
| Pop-up Waste & Overflow Kit | Chrome OWA001 | Optional | Optional |
| Pop-down Waste & Overflow Kit | Chrome OWA002 / Black Matte OWA003 White Gloss OWA007 | Optional | Optional |
| Sia Headrest | Black Curved SY242-B | Optional | 1 x Included |
| EZI Frame / Base Support Frame | Various | Optional | Optional |
| Flexible Bath Connector | OWA005 | Optional | Optional |
| TriFlo Spa Pump Bracket & Cover (outside pump) | EDG119 | Optional | Optional |
| TriFlo Cover Plate (outside pump) | EDG138 | Optional | Optional |
| TriFlo Drain Tray & 1m Tubing (inside pump) | EDG140 | Optional | Optional |
| Bamboo Bath Caddy | BC001 | Optional | Optional |

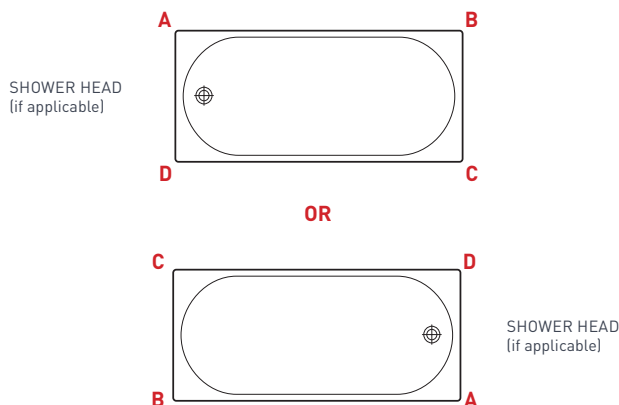
SPA PUMP NOTES

- The spa pump does not fit directly in the baths perimeter (*allow 100mm*)
- The spa pump must be easily accessible for maintenance
- Waste positions can not be changed
- We recommend spa pumps installed outside are fitted with a Spa Pump Cover **EDG119**
- We recommend spa pumps installed inside are fitted with a Drain Tray **EDG140**

1. TICK THE BOX NEXT TO YOUR PUMP POSITION A / B / C / D ON THE DIAGRAM

2. TICK THE BOX ON THE LEFT OR RIGHT OF THE DIAGRAM FOR SHOWER HEAD POSITION *(if applicable)*

Spa pump controls can not be on the same end as the shower.



Whilst every effort is made to adhere to published jet & fittings positions, variation to specifications may occur without notice. Spa bath jet colour options apply to Dolce Vita spa baths only.

*Warranty T&Cs apply, visit decina.com.au Decina reserves the right to change specifications without notice. Due to manufacturing tolerances dimensions may vary +/- 5mm. We recommend installation does not start until after delivery. Please confirm all particulars prior to purchase, call 1300 DECINA or visit decina.com.au

DECINA

DECINA.COM.AU 1300 DECINA   