

# San Diego Inset Bath

Product Code: **SD1790W**

 **MADE IN AUSTRALIA**



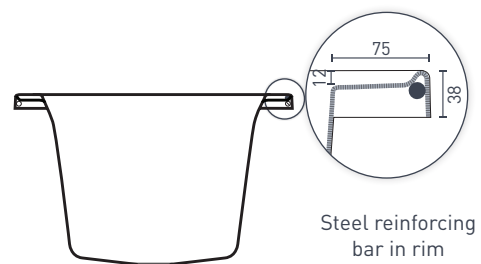
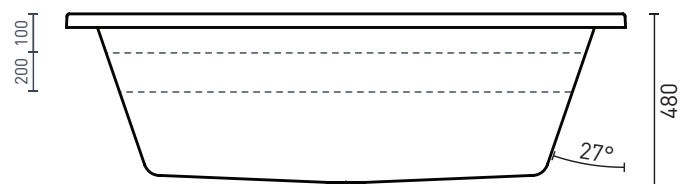
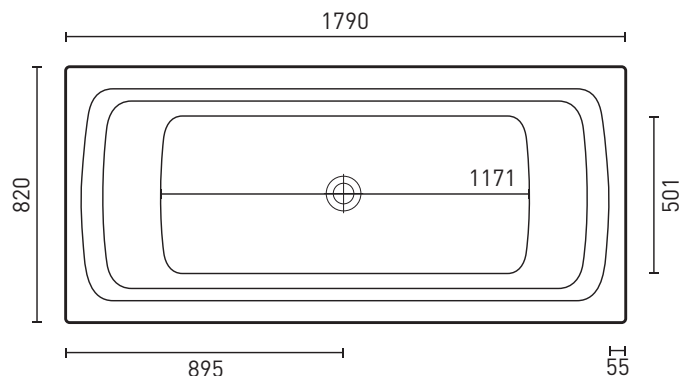
The San Diego's slight curvature in the lumbar areas cradle the shoulders & extra depth, allows for full immersion. The generous length & centre waste allows for dual bathing. This bath is suitable for wall or island installation

- AS/NZ Standard 2023/1995
- Steel rod reinforced rim
- Double reinforced bath base
- Suitable for dual bathing



## PRODUCT SPECIFICATIONS

<b>Colour:</b>	High Gloss White
<b>Material:</b>	Premium Sanitary grade acrylic
<b>Length:</b>	1790mm
<b>Width:</b>	820mm
<b>Height:</b>	480mm
<b>Capacity:</b>	194L [200mm below the bath rim]
<b>Bath Type:</b>	Inset
<b>Waste Position:</b>	Centre
<b>Net Weight:</b>	26kg
<b>Warranty:</b>	15 years* (refer to decina.com.au)



## OPTIONAL ACCESSORIES

- 40mm Removable pop-up waste *Chrome* **WA001**, *White Gloss* **WA002**, *Black Matte* **WA003**
- Pop-up waste & overflow kit *Chrome* **OWA001**
- Pop-down waste & overflow kit *Chrome* **OWA002**
- Pop-down waste & overflow kit *Black* **OWA003**
- Fiore Black Headrest **SY242-A-B**
- EZI Frame / Base Support Frame **Various**

**DECINA**  
DISCOVER INDULGENCE

[DECINA.COM.AU](http://DECINA.COM.AU) 1300 DECINA   

\*Warranty T&Cs apply, visit [decina.com.au](http://decina.com.au) Decina reserves the right to change specifications without notice. Due to manufacturing tolerances dimensions may vary +/- 5mm. We recommend installation does not start until after delivery. Please confirm all particulars prior to purchase, call 1300 DECINA or visit [decina.com.au](http://decina.com.au)