

# Prelude Square Shower Base

## with four-sided tile bead



Product Code (895mm centre outlet): **SHC0911C4**

Product Code (895mm rear outlet): **SHC0911R4**

Product Code (1000mm centre outlet): **SHC1101LPC4**

Product Code (1000mm rear outlet): **SHC1101R4**

**MADE IN AUSTRALIA**

The Prelude's simple design, with four-sided tile bead, can be fully integrated into tiled bathroom walls or combined with an acrylic shower wall to create a leak resistant, long lasting, great value shower enclosure. This range is available in two sizes, with center or rear outlet positions.

- Made to AS/NZ Standard 3588:1996
- Steel rod reinforced base
- Self-supporting feet
- No mortar bed required
- Slip resistant
- Easy to clean & maintain

### PRODUCT SPECIFICATIONS

**Material:** Premium sanitary grade acrylic, high gloss white

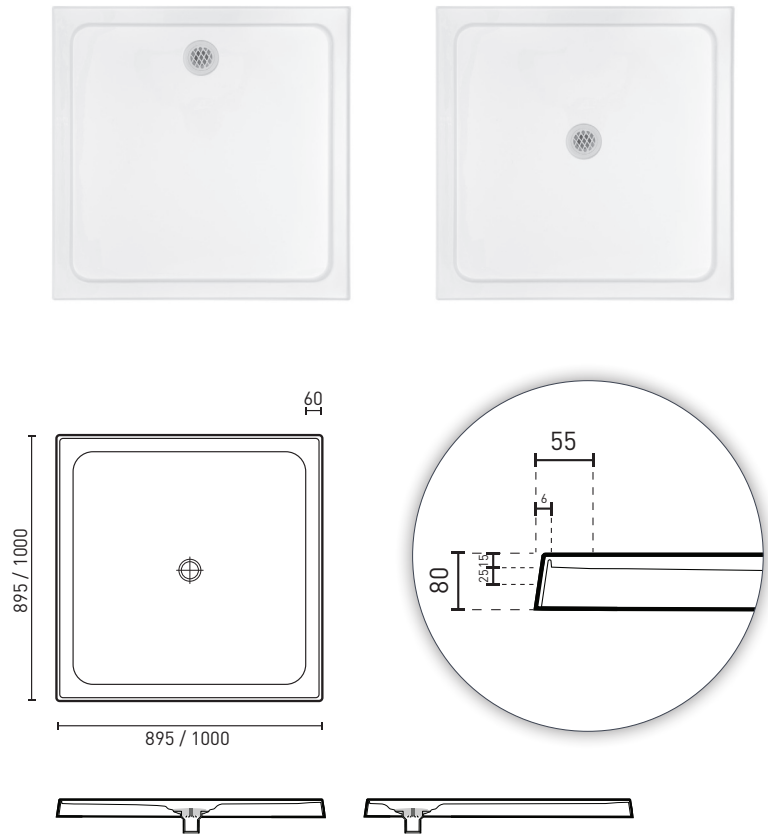
**Width:** 895mm / 1000mm

**Depth:** 895mm / 1000mm

**Height:** 80mm  
(base height to the top of the tile bead)

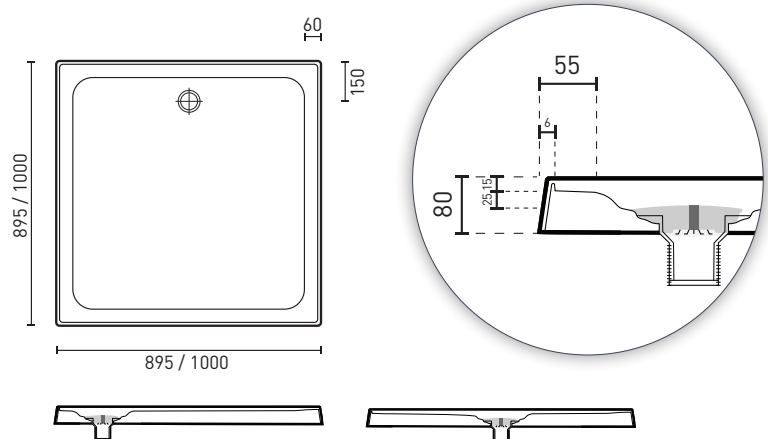
**Net Weight:** 21kgs / 24kg

**Warranty:** 10 years (refer to decina.com.au)



### OPTIONAL ACCESSORIES

- Two-sided acrylic shower wall **SW900 / SW1000**
- Three-sided acrylic shower wall **SWAL900 / SWAL1000**



**DECINA**  
DISCOVER INDULGENCE

[DECINA.COM.AU](http://DECINA.COM.AU) 1300 DECINA



\*Warranty T&Cs apply, visit [decina.com.au](http://decina.com.au) Decina reserves the right to change specifications without notice. Due to manufacturing tolerances dimensions may vary +/- 5mm. We recommend installation does not start until after delivery. Please confirm all particulars prior to purchase, call 1300 DECINA or visit [decina.com.au](http://decina.com.au)