

Novara Inset Spa Bath with tile bead

 MADE IN AUSTRALIA



SPA BATH SHELL



PUMP, JETS
& FITTINGS

Novara's soft internal lines & generous lumbar area creates the perfect invitation to relax & rejuvenate. Available as an Inset bath with a tile bead or as an Island bath, it also features self-supporting feet for easy installation.

- AS/NZ Standard AS3861/1991
- Steel rod reinforced rim
- Double reinforced bath base
- Moulded arm rests

PRODUCT SPECIFICATIONS

Colour:	High Gloss White
Material:	Premium Sanitary grade acrylic
Length:	1525mm / 1665mm
Width:	735mm / 735mm
Height:	447mm / 447mm
Capacity:	101L / 114L [200mm below the bath rim]
Bath Type:	Inset
Waste Position:	End
Warranty:	*10 years spa shell, *5 years pump, jets, fittings (*refer to decina.com.au)

NOVARA SANTAI SPA BATH ● 10 JETS

SIZE (l) x (w) x (d) mm	CAPACITY*	NET WEIGHT	CODE
1525 x 735 x 447 (tile bead)	101L	31.5kg	NT1525SAN10JW
1665 x 735 x 447 (tile bead)	114L	34kg	NT1665SAN10JW
1653 x 723 x 435	114L	34kg	NO1650SAN10JW

- 6 x low profile Mod centro jets
- 4 x low profile Mod mini jets
- 1 x low profile Mod suction
- 1 x Mod power button (rim mounted)
- 750 watt auto heat boost pump



NOVARA CONTOUR SPA BATH ●● 12 JETS

SIZE (l) x (w) x (d) mm	CAPACITY*	NET WEIGHT	CODE
1525 x 735 x 447 (tile bead)	101L	31.5kg	NT1525CNPAWC
1665 x 735 x 447 (tile bead)	114L	34kg	NT1665CNPAWC
1653 x 723 x 435	114L	34kg	NO1650CNPAWC

- 6 x flush C-Lenda™ centro jets
- 6 x flush C-Lenda™ mini jets
- 2 x flush C-Lenda™ air controls
- 1 x flush C-Lenda™ suction
- 1 x Sensa-Touch pad control (rim mounted)
- 750 watt 3-stage heat boost pump
- 1 x Fiore black headrest



NOVARA DOLCE VITA SPA BATH ●●● 16 JETS

SIZE (l) x (w) x (d) mm	CAPACITY*	NET WEIGHT	CODE
1665 x 735 x 447 (tile bead)	114L	54kg	NT1665DVSPAWC
1653 x 723 x 435	114L	54kg	NO1650DVSPAWC

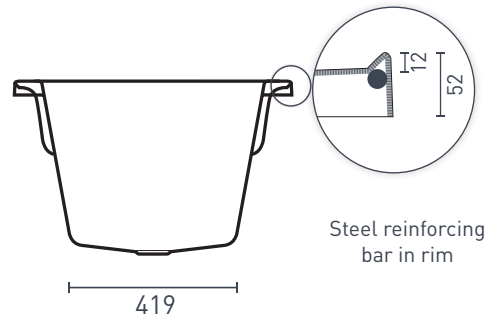
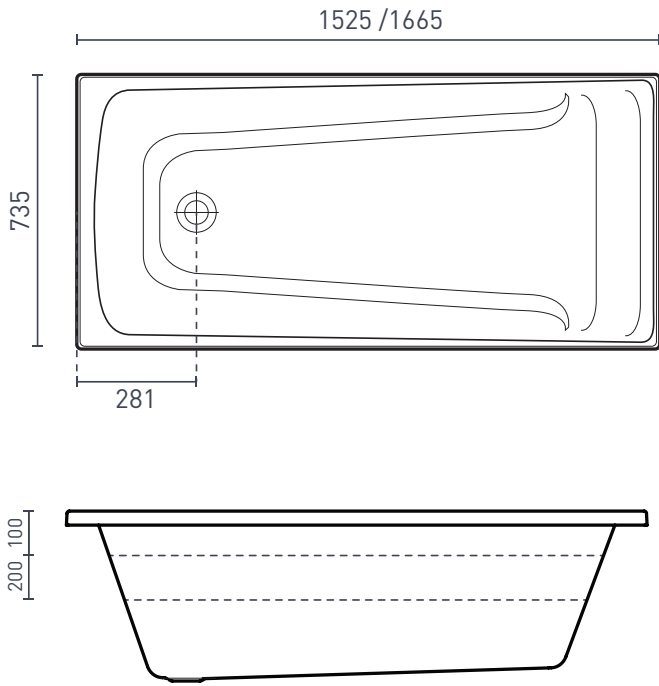
- 6 x adjustable flush C-Lenda™ centro jets
- 10 x adjustable flush C-Lenda™ mini jets
- 2 x flush C-Lenda™ air controls
- 1 x flush C-Lenda™ suction
- Spa Key remote control
- 1100 watt spa key heat boost pump
- 1 x Fiore black headrest



Available with Chrome, White or Black jets



TECHNICAL DRAWINGS



OPTIONAL ACCESSORIES

- 40mm Removable pop-up waste *Chrome* **WA001**, *White Gloss* **WA002**, *Black Matte* **WA003**
- Pop-up waste & overflow kit *Chrome* **OWA001**
- Pop-down waste & overflow kit *Chrome* **OWA002**
- Pop-down waste & overflow kit *Black* **OWA003**
- Fiore Headrest *Black* **SY242-A-B**
- EZI Frame / Base Support Frame **Various**

SPA BATH ORDER FORM

Spa baths are made to order on receipt of the order form & are non-refundable. Whilst we aim for 15-20 working days for completion & dispatch, please contact Decina for current lead times. We recommend filling out your spa bath order form with your qualified tradesperson.

COMPANY & BRANCH: _____ PHONE NO: _____

CONTACT: _____ ORDER NO: _____ DATE: _____

MODEL: _____ SIZE: _____ QTY: _____ RANGE SANTAI CONTOUR DOLCE VITA

JET COLOUR DOLCE VITA ONLY

(NO additional cost) Chrome White Black

SPA PUMP NOTES

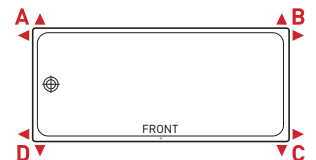
- The spa pump does not fit directly in the baths perimeter (allow 100mm)
- The spa pump must be easily accessible for maintenance
- Waste positions can not be changed
- The spa pump controls will always be at the front, unless indicated below
- We recommend spa pumps installed outside are fitted with a Spa Pump Cover **EDG119** (optional extra)
- We recommend spa pumps installed inside are fitted with a Drain Tray **EDG140** (optional extra)

Please refer to the technical drawings before choosing your spa pump position, as spa bath waste & pump positions CANNOT be customised

1. CIRCLE YOUR PUMP POSITION A / B / C / D ON THE DIAGRAM

2. CROSS (X) YOUR SHOWER HEAD POSITION ON THE DIAGRAM (if applicable)

Spa pump controls can not be on the same end as the shower.



CUSTOMER NAME: _____ CUSTOMER SIGNATURE: _____

CUSTOMER EMAIL: _____ CUSTOMER PHONE NO: _____

*Whilst every effort is made to adhere to published jet & fittings positions, variation to specifications may occur without notice.

DECINA
DISCOVER INDULGENCE

DECINA.COM.AU 1300 DECINA

*Warranty T&Cs apply, visit decina.com.au Decina reserves the right to change specifications without notice. Due to manufacturing tolerances dimensions may vary +/- 5mm. We recommend installation does not start until after delivery. Please confirm all particulars prior to purchase, call 1300 DECINA or visit decina.com.au